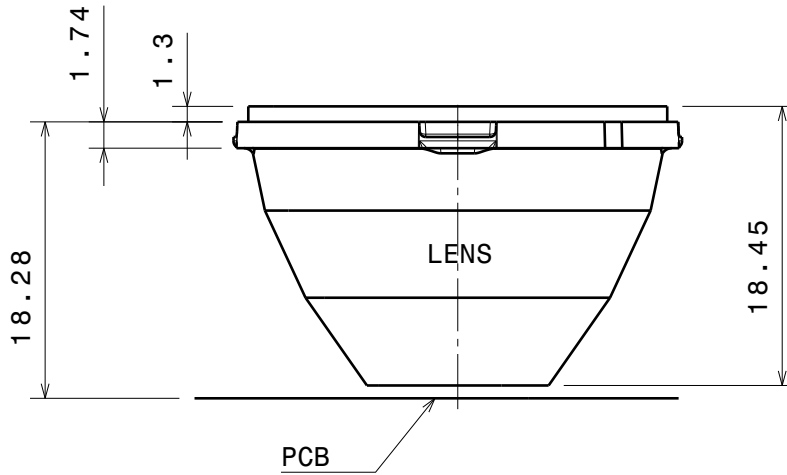


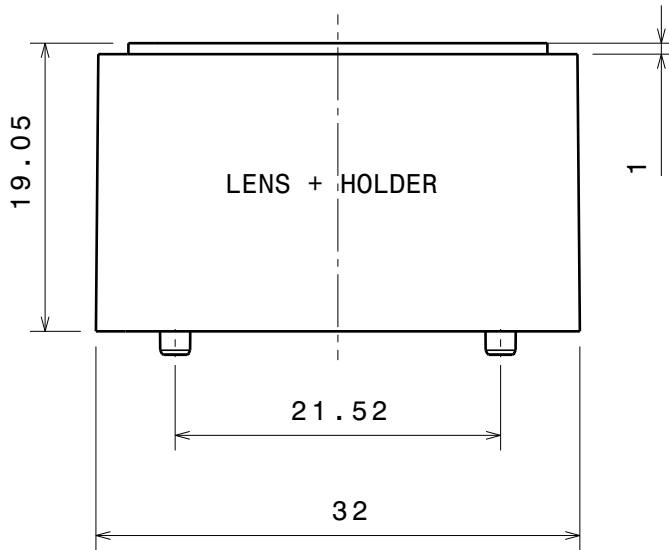
PRELIMINARY DRAWING

4

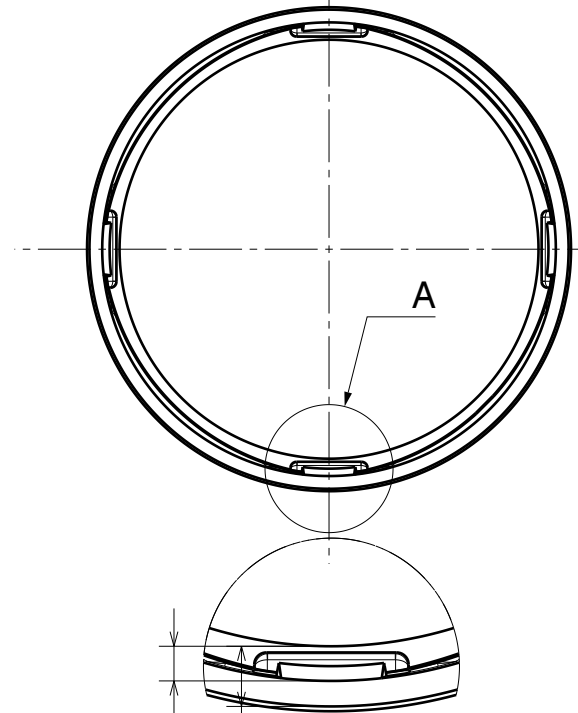


4

3



Top view
Scale: 2:1



3

2

Front view
Scale: 2:1

2

Detail A
Scale: 4:1

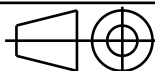
This 2D drawing is compatible with following lens and holder combinations
 CA16127_OLGA-S
 CA16128_OLGA-M
 CA16129_OLGA-W

Tolerances if not otherwise shown
 According to DIN ISO 2768-1
 Linear measures:
 Up to 30mm class M, otherwise class C.
 According to DIN ISO 2768-2
 Form and position: class L



Ledil Oy
 Joensuunkatu 13
 FI-24100 SALO
 Finland

THIRD ANGLE PROJECTION:



DRAWING TITLE

OLGA Family

This drawing is the property of LEDiL Oy. It may not be reproduced, copied or communicated without a written agreement with LEDiL Oy.

SIZE PART NUMBER

A4

OLGA-lens + holder

SCALE 2:1 WEIGHT

g

SHEET 1/1

1

1

D

A