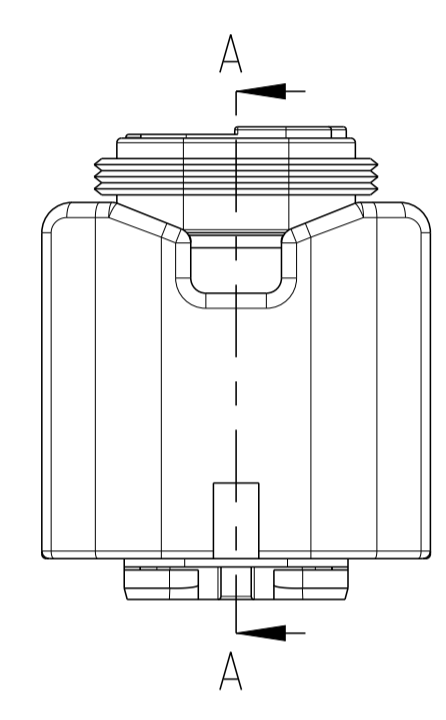
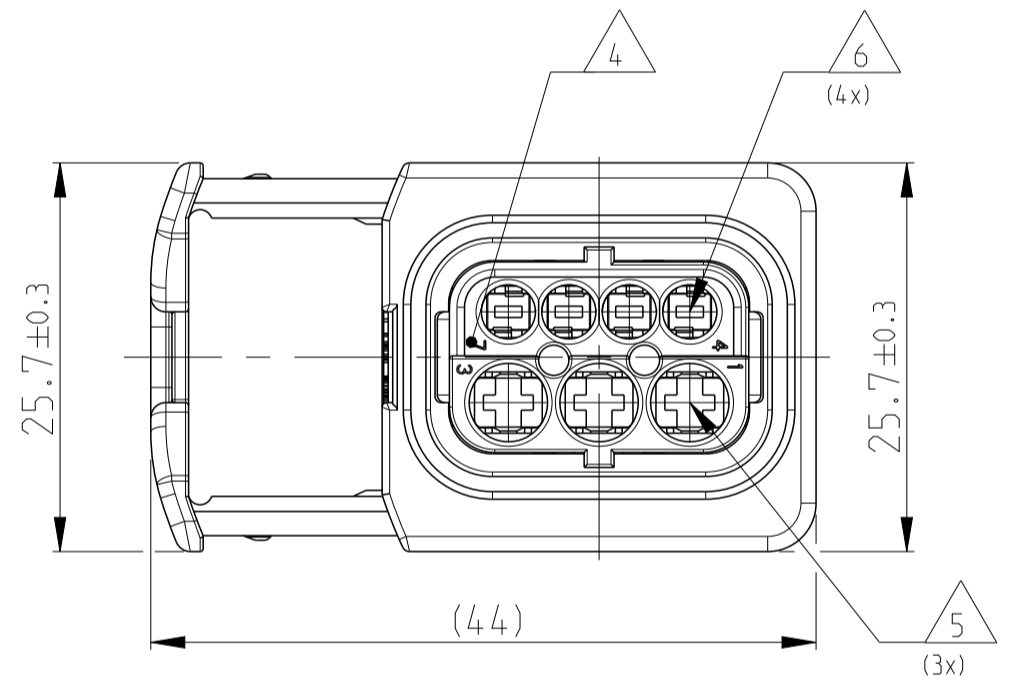
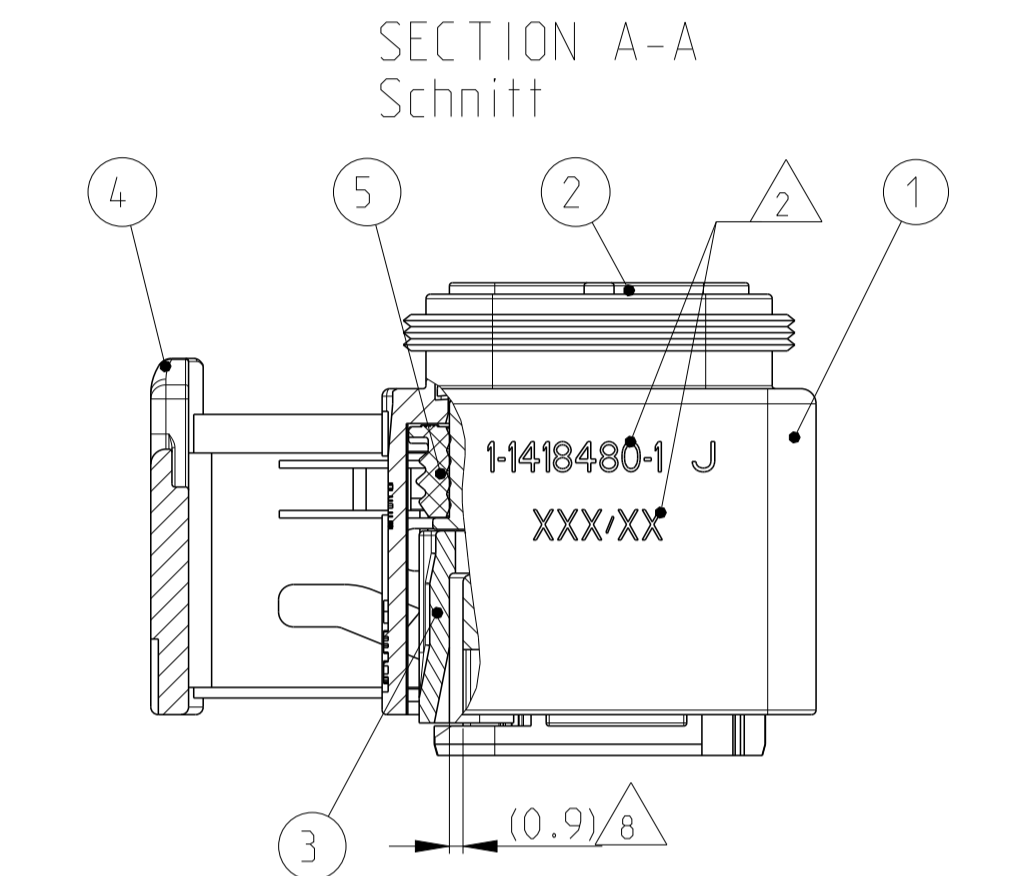
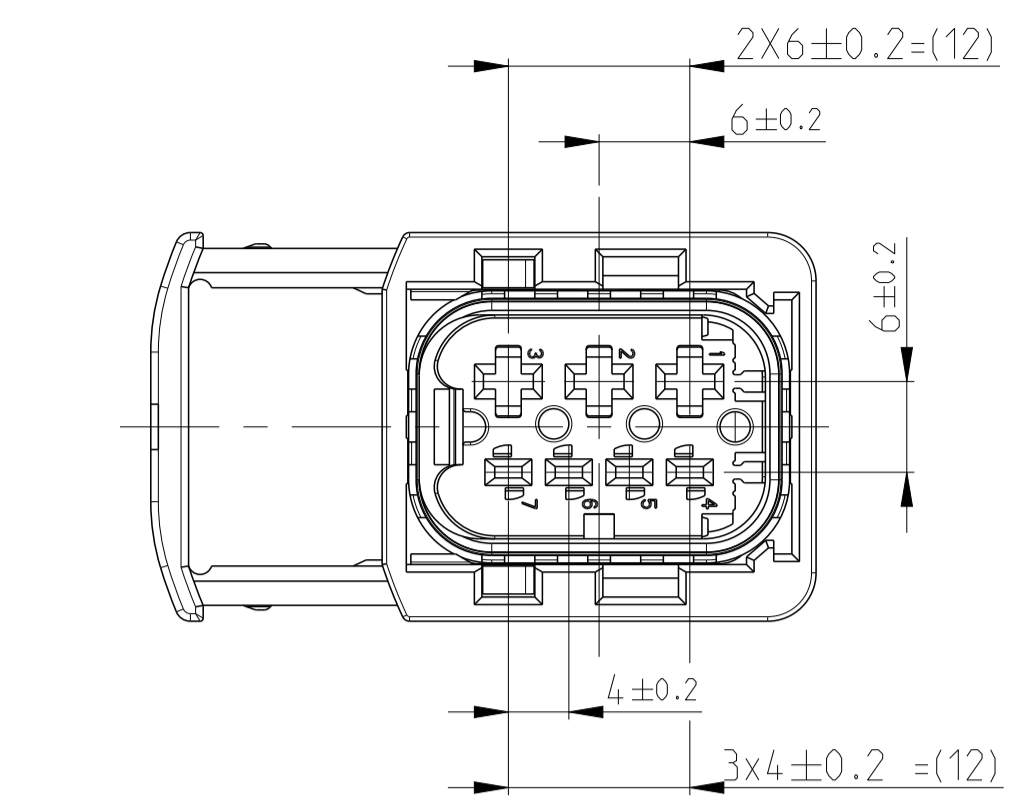


DELIVERY CONDITION:
 Lieferzustand:

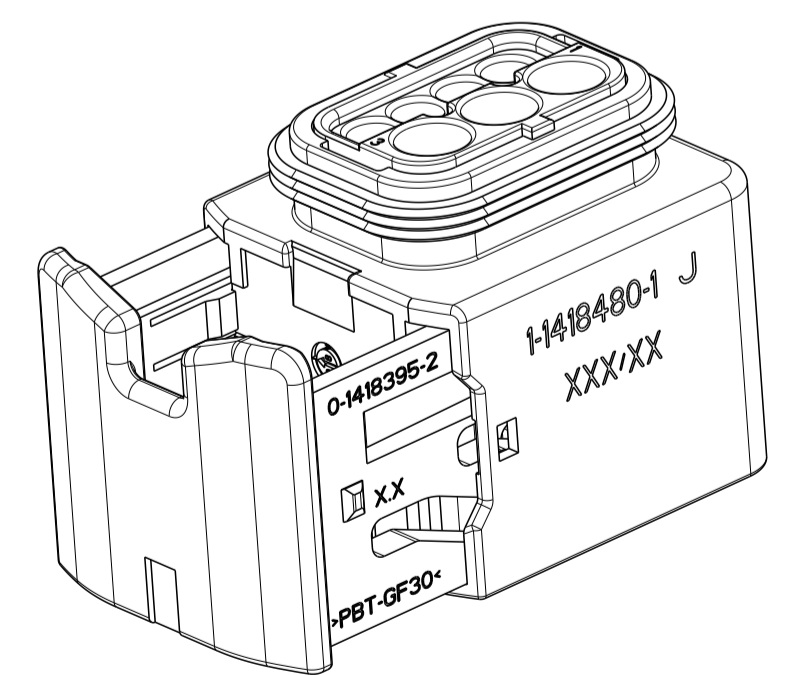
SECONDARY LOCKING AND SLIDE
 IN PRE-LOCKED POSITION
 2. Kontaktsicherung und Schieber
 in Vorraststellung



1-1418480-1 AS SHOWN
 1-1418480-1 wie gezeigt

PROJEKT NR.	EGATNOS327	REVISIONS	ÄNDERUNGEN	DESCRIPTION	DATE	DWN	APVD
J1	ECR-15-007756				15MAY2015	SK	Krauss
J2	DETAILS SEE PCN E-16-001359				28APR2016	MAH.	GILL

- NOTES
 Bemerkungen
- TE LOGO
 TE Logo
 - ASSY PN, PRODUCTION DATE (CALENDAR DAY/YEAR):
 MARKING OPTIONAL AS LASER ENGRAVING OR
 LASER WITH COLOR CHANGE
 Assy PN, Produktionsdatum (Kalendertag/Jahr):
 Beschriftung wahlweise als Lasergravur oder Laser mit Farbumschlag
 - BULK PACKAGING IN CORRUGATED BOX
 Schuetzfolie im Versandkarton
 - CAVITY NUMBERING
 Kammer Bezeichnung
 - CAVITIES MATED WITH AMP MCP 2.8
 SEE PRODUCT GROUP DRAWING
 TE NO: 1355036
 MAX. WIRE SIZE: 2.5mm² FLR (AWG 12 TXL)
 - CAVITIES MATED WITH AMP MCP 1.5k
 SEE PRODUCT GROUP DRAWING
 TE NO: 1241436
 MAX. WIRE SIZE: 1.5mm² FLR
- STANDARD APPLICATION:
 AT TEMPERATURE UP TO 120 DEGREE CELSIUS.
 SINGLE WIRE SEAL PN 0-2287497-1 AT WIRE SIZE 1.5mm² FLR
 RECOMMENDED.
- RECOMMENDATION FOR APPLICATION TEMPERATURES UP TO
 140 DEGREE CELSIUS, SINGLE WIRE SEAL
 PN 0-964972-1, WIRE SIZE: 1.5mm² FLR (AWG 16 TXL)
 BUT SLIGHTLY HINDERED MOUNTING.
- Kontaktkammern passend fuer AMP MCP 1.5k
 siehe Produktgruppenzeichnung
 TE Nr: 1241436
 max. Drahtgroessenbereich: 1.5mm² FLR
- Standard Anwendung:
 Bei Einsatztemperatur bis 120°C
 Einzelleiterdichtung 0-2287497-1 bei Leitergroesse 1.5mm² FLR empfohlen.
- Bei Einsatztemperaturen bis 140°C empfehlen wir bei dem
 Drahtgroessenbereich 1.5mm² FLR (AWG 16 TXL) die Einzelleiterdichtung
 PN 964972-1,
 jedoch mit leicht erschwelter Bestueckbarkeit.
- SUITABLE COVERS SEE DRAWING: 1670057, 1670364
 Passende Kappen siehe Zeichnung: 1670057, 1670364
 - SLIDING DISTANCE OF SECONDARY LOCKING
 Verschiebeweg der 2. Kontaktsicherung
 - FITS TO TE INTERFACE DRAWING 114-18740-1
 Passend zur Ausfuehrungsvorschrift 114-18740-1
 - SUITABLE COUNTERPART SEE DRAWING: 1670214, 1703648
 passendes Gegenstueck siehe Zeichnung: 1670214, 1703648
 - MALFUNCTION CAUSED BY LACQUER IS NOT
 COVERED BY TE WARRANTY.
 Funktionsbeeinträchtigung durch Lackieren liegt nicht im
 Einfluss und Gewährleistungsumfang von TE.



RECEPTACLE HOUSING	BLACK	BLACK	BLACK	GREEN	BLUE	YELLOW	WHITE	DESCRIPTION	ITEM
Buchsengehäuse	schwarz	schwarz	schwarz	grün	blau	gelb	weiß	Beschreibung	NO
7POS. CAVITY BLOCK, CODE, "A"	PBT-GF30 / V-0	PBT-GF30 / V-0	PBT-GF30 / V-0	PBT-GF30 / V-0	PBT-GF30 / V-0	PBT-GF30 / V-0	MVO	U-Schieber	5
7POS. CAVITY BLOCK, CODE, "C"								SEAL	4
7POS. CAVITY BLOCK, CODE, "D"								Dichtung	3
7POS. CAVITY BLOCK, CODE, "E"									2
7POS. CAVITY BLOCK, CODE, "F"									2
7POS. CAVITY BLOCK, CODE, "G"									2
7POS. CAVITY BLOCK, CODE, "H"									2
7POS. CAVITY BLOCK, CODE, "I"									2
7POS. CAVITY BLOCK, CODE, "J"									2
7POS. CAVITY BLOCK, CODE, "K"									2
7POS. CAVITY BLOCK, CODE, "L"									2
7POS. CAVITY BLOCK, CODE, "M"									2
7POS. CAVITY BLOCK, CODE, "N"									2
7POS. CAVITY BLOCK, CODE, "O"									2
7POS. CAVITY BLOCK, CODE, "P"									2
7POS. CAVITY BLOCK, CODE, "Q"									2
7POS. CAVITY BLOCK, CODE, "R"									2
7POS. CAVITY BLOCK, CODE, "S"									2
7POS. CAVITY BLOCK, CODE, "T"									2
7POS. CAVITY BLOCK, CODE, "U"									2
7POS. CAVITY BLOCK, CODE, "V"									2
7POS. CAVITY BLOCK, CODE, "W"									2
7POS. CAVITY BLOCK, CODE, "X"									2
7POS. CAVITY BLOCK, CODE, "Y"									2
7POS. CAVITY BLOCK, CODE, "Z"									2
7POS. CAVITY BLOCK, CODE, "AA"									2
7POS. CAVITY BLOCK, CODE, "AB"									2
7POS. CAVITY BLOCK, CODE, "AC"									2
7POS. CAVITY BLOCK, CODE, "AD"									2
7POS. CAVITY BLOCK, CODE, "AE"									2
7POS. CAVITY BLOCK, CODE, "AF"									2
7POS. CAVITY BLOCK, CODE, "AG"									2
7POS. CAVITY BLOCK, CODE, "AH"									2
7POS. CAVITY BLOCK, CODE, "AI"									2
7POS. CAVITY BLOCK, CODE, "AJ"									2
7POS. CAVITY BLOCK, CODE, "AK"									2
7POS. CAVITY BLOCK, CODE, "AL"									2
7POS. CAVITY BLOCK, CODE, "AM"									2
7POS. CAVITY BLOCK, CODE, "AN"									2
7POS. CAVITY BLOCK, CODE, "AO"									2
7POS. CAVITY BLOCK, CODE, "AP"									2
7POS. CAVITY BLOCK, CODE, "AQ"									2
7POS. CAVITY BLOCK, CODE, "AR"									2
7POS. CAVITY BLOCK, CODE, "AS"									2
7POS. CAVITY BLOCK, CODE, "AT"									2
7POS. CAVITY BLOCK, CODE, "AU"									2
7POS. CAVITY BLOCK, CODE, "AV"									2
7POS. CAVITY BLOCK, CODE, "AW"									2
7POS. CAVITY BLOCK, CODE, "AX"									2
7POS. CAVITY BLOCK, CODE, "AY"									2
7POS. CAVITY BLOCK, CODE, "AZ"									2
7POS. CAVITY BLOCK, CODE, "BA"									2
7POS. CAVITY BLOCK, CODE, "BB"									2
7POS. CAVITY BLOCK, CODE, "BC"									2
7POS. CAVITY BLOCK, CODE, "BD"									2
7POS. CAVITY BLOCK, CODE, "BE"									2
7POS. CAVITY BLOCK, CODE, "BF"									2
7POS. CAVITY BLOCK, CODE, "BG"									2
7POS. CAVITY BLOCK, CODE, "BH"									2
7POS. CAVITY BLOCK, CODE, "BI"									2
7POS. CAVITY BLOCK, CODE, "BJ"									2
7POS. CAVITY BLOCK, CODE, "BK"									2
7POS. CAVITY BLOCK, CODE, "BL"									2
7POS. CAVITY BLOCK, CODE, "BM"									2
7POS. CAVITY BLOCK, CODE, "BN"									2
7POS. CAVITY BLOCK, CODE, "BO"									2
7POS. CAVITY BLOCK, CODE, "BP"									