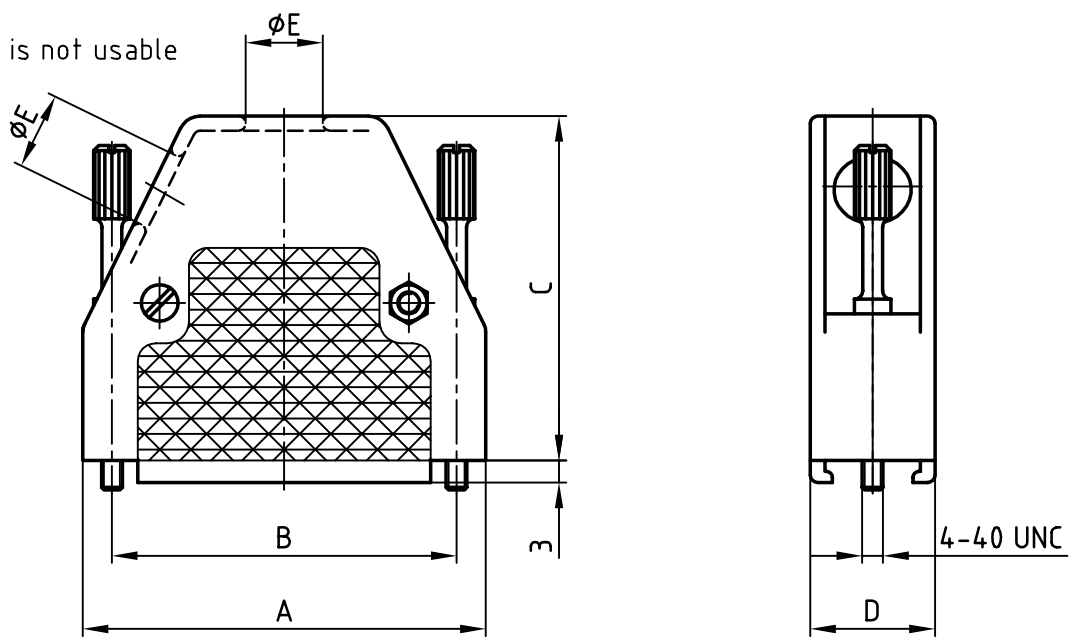


used for: D-SUB

Side entry is not usable



No. of pos.	A	B	C	D	φE	Part No:
9	33.0	25.0	45.0	17.0	7.5	165X13079X
15	41.0	33.3	45.0	17.0	8.5	165X13089X
25	55.0	47.0	47.0	17.0	10.5	165X13099X
37	71.3	63.5	51.0	17.0	11.0	165X13109X
50	69.0	61.1	50.0	20.0	12.5	165X13119X

APPROVAL # FREIGABE # DEBLOCAGE # AUTORIZACION # APPROVAL

CUSTOMER APPROVAL DATE:

NAME: TITLE:

COMPANY NAME:

APPROVAL # FREIGABE # DEBLOCAGE # AUTORIZACION # APPROVAL

NOTES:
 1. HOOD: PA + GF
 2. SCREWS: BRASS, NICKEL PLATED

THIS DRAWING MAY NOT BE COPIED OR REPRODUCED IN ANY WAY, AND MAY NOT BE PASSED ON TO A THIRD PARTY WITHOUT WRITTEN PERMISSION.
 OWNERSHIP AND COPYRIGHT OF CONEC GmbH
 DO NOT ALTER CAD DRAWING BY HAND

tolerance			dim. in mm			
2003	date	name				
drawn	22.05.	Mankopf				
appd.	22.05.	Kühle				
norm						
d-old						
rev.	description	date	name			

scale:	1:1
material:	SEE NOTES
title:	PLASTIC HOOD with straight cable entry with jack screws, 9 - 50 pos.
dwg no:	AutoCAD 2000
	DIN-A
	4
	sh: 1/1
part no:	SEE TABLE