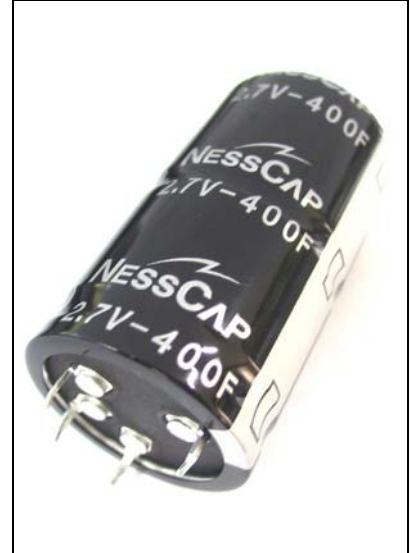
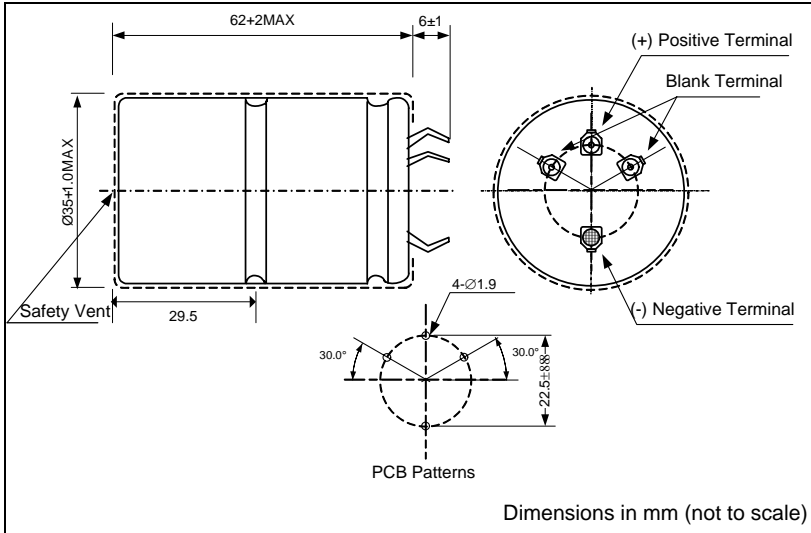


NESSCAP 400F/2.7V

ESHSR-0400C0-002R7

■ Features

- Cylindrical cell
- Snap-in terminals



■ Specifications

Rated Capacitance, C (DCC ⁽¹⁾ , 25°C)	400 Farads	(1) Discharging with constant current
Capacitance Tolerance	-10% / +10%	
Rated Voltage, V _R	2.7 V	
Surge Voltage	2.85 V	
Rated Current (25°C) ⁽²⁾	86 A	(2) 5 sec discharge rate to 1/2 V _R
Max. Current (25°C) ⁽³⁾	> 237 A	(3) 1 sec discharge rate to 1/2 V _R
Max. Stored Energy (at V _R)	1,458J(0.4050Wh)	
Specific Energy	Gravimetric	6.04 Wh/kg
	Volumetric	6.75 Wh/l
Specific Power ⁽⁴⁾ (at matched load)	Gravimetric	8.50 kW/kg
	Volumetric	9.49 kW/l
Maximum Internal Resistance (ESR)	AC (1kHz)	3.2 mΩ
	DC (20A)	3.2 mΩ
Dimensions	φ 35 x 62 mm	
Volume	60 ml	
Weight	67 g	
Operating temperature range ⁽⁵⁾	-40 ~ 65 °C	(5) ΔC < 20% and ESR < 2 times of initially measured value at 25°C, respectively
Storage temperature range	-40 ~ 70 °C	
Max. Leakage Current, L _C (72h, 25°C)	1.2 mA	
Life Time at RT ⁽⁶⁾	10 years	(6) ΔC < 30% and ESR < 2 times of initially measured value, respectively and LC < specified value
Cycle Life (25°C) ^{(6), (7)}	500,000 cycles	(7) 1 cycle: charging to V _R for 20s, constant voltage charging for 10s, discharging to 1/2V _R for 20s, rest for 10s