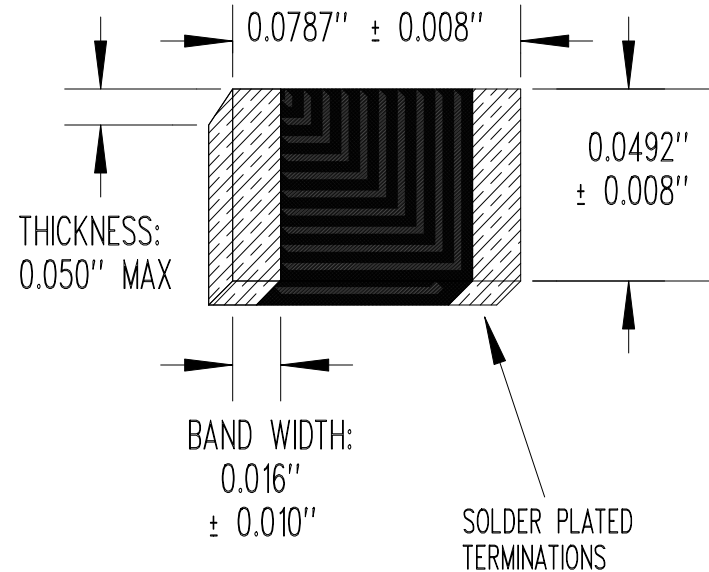


| RESISTANCE/TEMPERATURE TABLE |              |              |              |
|------------------------------|--------------|--------------|--------------|
| TEMP<br>(°C)                 | RESIS<br>(Ω) | TEMP<br>(°C) | RESIS<br>(Ω) |
| -40                          | 3,777,950    | 45           | 41,551       |
| -35                          | 2,707,997    | 50           | 33,835       |
| -30                          | 1,962,051    | 55           | 27,695       |
| -25                          | 1,436,105    | 60           | 22,782       |
| -20                          | 1,061,301    | 65           | 18,830       |
| -15                          | 791,493      | 70           | 15,634       |
| -10                          | 595,399      | 75           | 13,038       |
| -5                           | 451,578      | 80           | 10,919       |
| 0                            | 345,178      | 85           | 9,181        |
| 5                            | 265,812      | 90           | 7,753        |
| 10                           | 206,147      | 95           | 6,572        |
| 15                           | 160,954      | 100          | 5,591        |
| 20                           | 126,479      | 105          | 4,773        |
| 25                           | 100,000      | 110          | 4,089        |
| 30                           | 79,567       | 115          | 3,515        |
| 35                           | 63,702       | 120          | 3,031        |
| 40                           | 51,303       | 125          | 2,621        |



RESISTANCE @ +25°C = 100,000 Ω ± 5%  
 BETA "β" (+25 TO +85°C) = 4,250°K NOMINAL  
 POWER RATING = 240 mW  
 OPERATING TEMPERATURE RANGE = -40 TO +125°C

SEE MANUFACTURING SPECIFICATION (LAYER 1)

|      |                         |          |     |
|------|-------------------------|----------|-----|
| "A"  | POWER RATING WAS 300 mW | 09/25/17 | MW  |
| NONE | RELEASE TO PRODUCTION   | 02/26/04 | DD  |
| REV  | REVISION RECORD         | DATE     | APP |

|                         |                                                                                                        |
|-------------------------|--------------------------------------------------------------------------------------------------------|
| SCALE NONE              | <b>U.S. SENSOR CORP.</b><br>1832 W. COLLINS AVE.<br>ORANGE, CA. 92867<br>714-639-1000 www.ussensor.com |
| DRAWN BY<br>DAN DANKERT |                                                                                                        |
| DATE 02/26/04           |                                                                                                        |
| REV. "A"                |                                                                                                        |
| LAYER 0 OF 2            |                                                                                                        |
| THERMISTOR, NTC CHIP    |                                                                                                        |
| P/N KR104ROJ            |                                                                                                        |