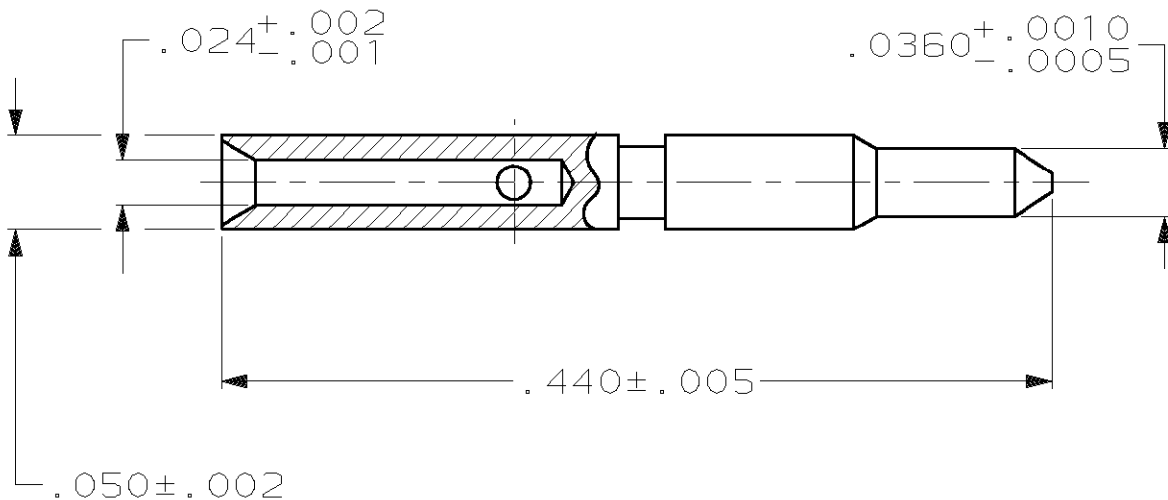




| | | | | | | | |
|-----------|------------|---|---|-----------|----------------------|---------|----------|
| LOC AJ | DIST 16 | P | F | REVISIONS | | | |
| | | | | LTR | DESCRIPTION | DATE | APPROVED |
| | | | | A | REV PER OU20-0171-99 | 10NOV99 | MO |



THIS DRAWING IS UNPUBLISHED. RELEASED FOR PUBLICATION BY AMP INCORPORATED. ALL INTERNATIONAL RIGHTS RESERVED. © COPYRIGHT 19

447869-2
PART NUMBER

DO NOT SCALE PRINT. UNLESS SPECIFIED DIMENSIONS IN INCHES TOLERANCES ON:
 2 PLC DEC ± -
 3 PLC DEC ± -
 ANGLES ± -

MATERIAL
 BRASS
 PER QQ-B-626

FINISH
 GOLD
 PER MIL-G-45204

DR 5-10-91
 M.E.PASTAL

CHK -
 APPD -
 APPD -
 PRODUCT SPEC -
 APPLICATION SPEC -
 WEIGHT -

AMP AMP Incorporated
 Harrisburg, PA 17105-3608

NAME
 CONTACT, PLUG, SMA

| | | |
|---------------|--------------------|------------------------|
| SIZE A | CAGE CODE 00779 | DRAWING NO 447869-2 |
| SCALE 10:1 | SHEET 1 OF 1 | |

