

MODEL:

SRWF4U36

SmartRack® 4U Low-Profile Vertical-Mount Server-Depth Wall-Mount Rack Enclosure Cabinet



4 Rack Units



2U Patch Panel Bracket



150 lb. Load Rating



Sturdy Steel Construction



Locking Doors & Side Panels



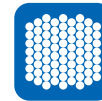
Accommodates Standard 19-Inch Equipment



Convenient Cable Access



Adjustable Mounting Rails



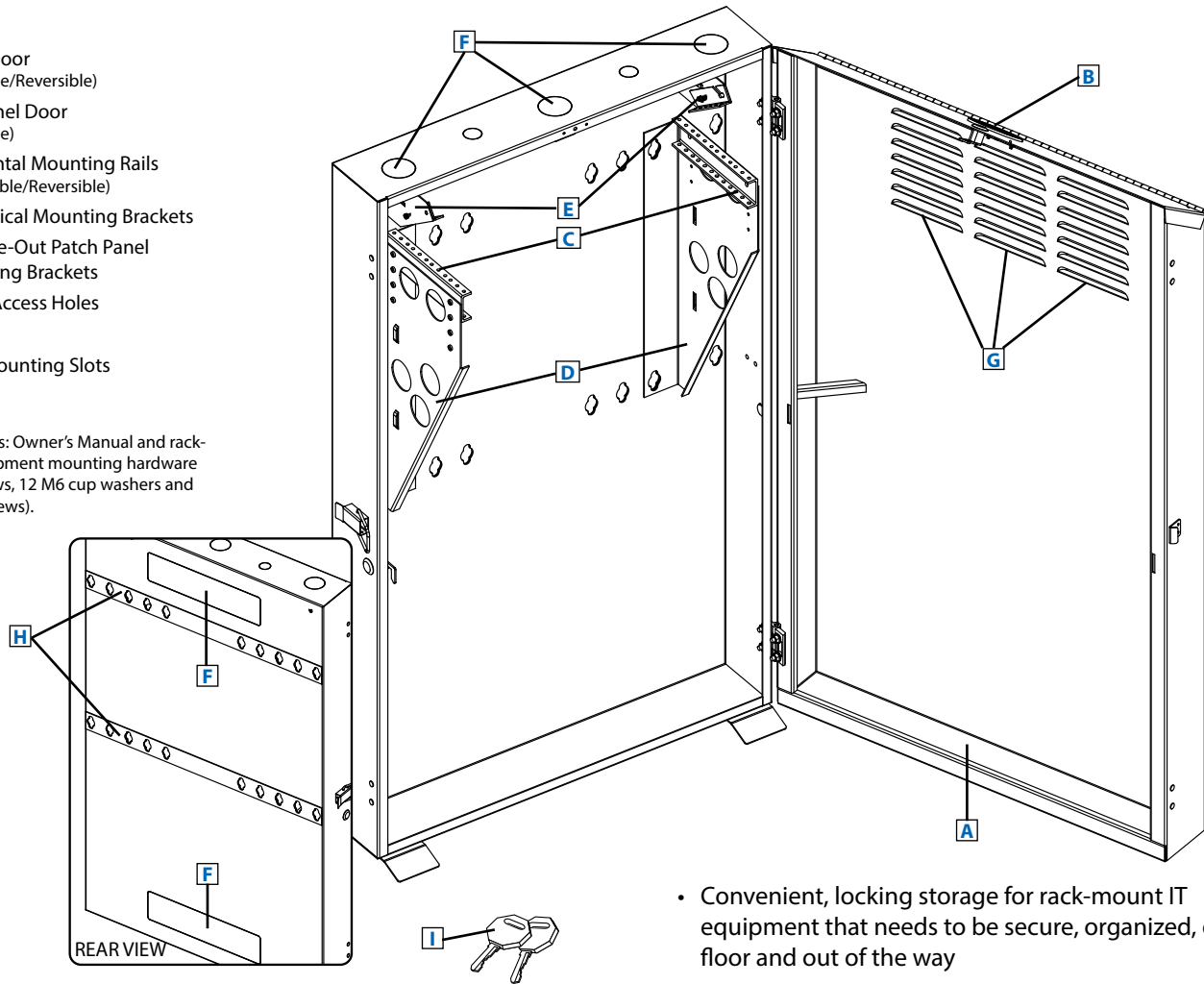
Ventilated for Ample Airflow



Reversible Door

- A** Front Door (Lockable/Reversible)
- B** Top Panel Door (Lockable)
- C** Horizontal Mounting Rails (Adjustable/Reversible)
- D** 4U Vertical Mounting Brackets
- E** 2U Slide-Out Patch Panel Mounting Brackets
- F** Cable Access Holes
- G** Vents
- H** Wall-Mounting Slots
- I** Keys

Also Includes: Owner's Manual and rack-mount equipment mounting hardware (12 M6 screws, 12 M6 cup washers and 12 12-24 screws).



- Convenient, locking storage for rack-mount IT equipment that needs to be secure, organized, off the floor and out of the way
- Low-profile cabinet with vertical equipment mounting recommended for network closets and other areas with limited floor space
- 2U slide-out top mounting brackets accommodate patch panels up to 2.5 in. deep and allow for easy cable access

SEE NEXT PAGE FOR DETAILED UNIT MEASUREMENTS



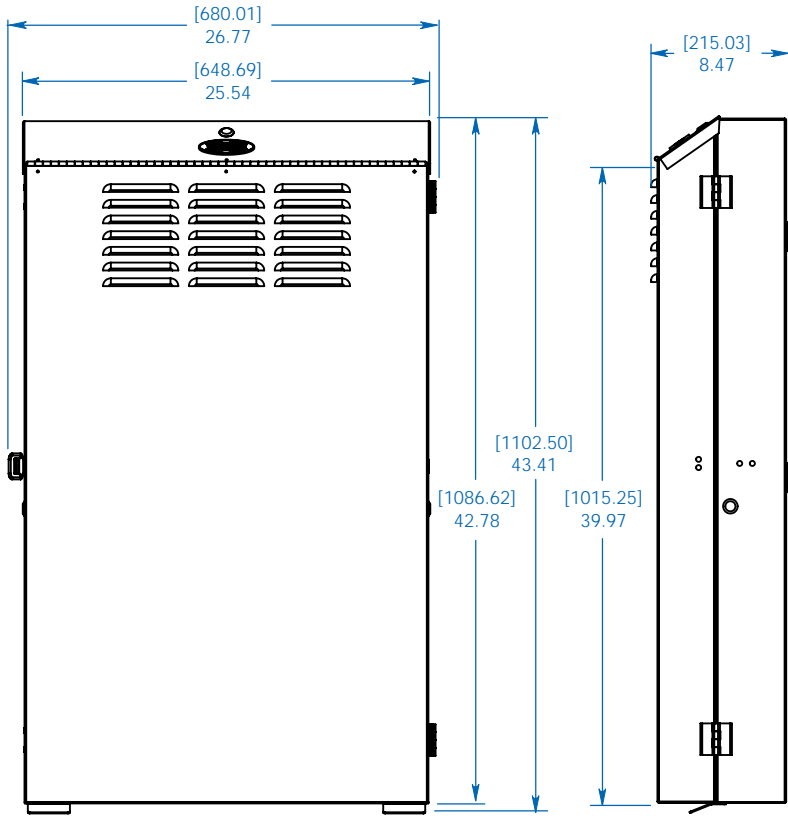
1111 W. 35th Street
Chicago, IL 60609 USA
773.869.1234
www.tripplite.com

Specifications

Model	SRWF4U36
Rack Spaces	4U
Equipment Mounting Depth	Up to 36 in. / 914 mm
Load Rating*	150 lb. / 68 kg
Unit Dimensions (H x W x D)	43.4 x 26.8 x 8.5 in. / 1102 x 681 x 216 mm
Shipping Dimensions (H x W x D)	48.03 x 31.1 x 13.4 in. / 1220 x 790 x 340 mm
Unit Weight	66.13 lb. / 30 kg
Shipping Weight	73.2 lb. / 33 kg
Standards	Tested to EIA-310-E, RoHS, PCI-DSS

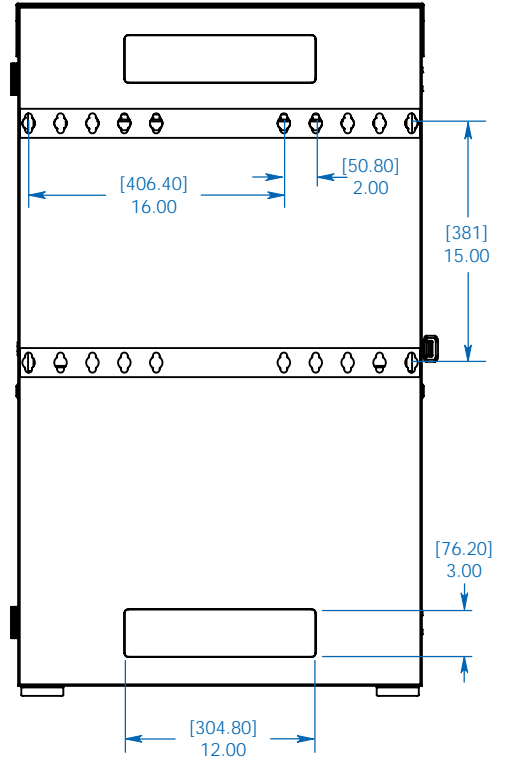
* The load rating includes the combined weight of the unit and installed equipment. The unit must be mounted to a stable surface with user-supplied anchors capable of bearing the full load.



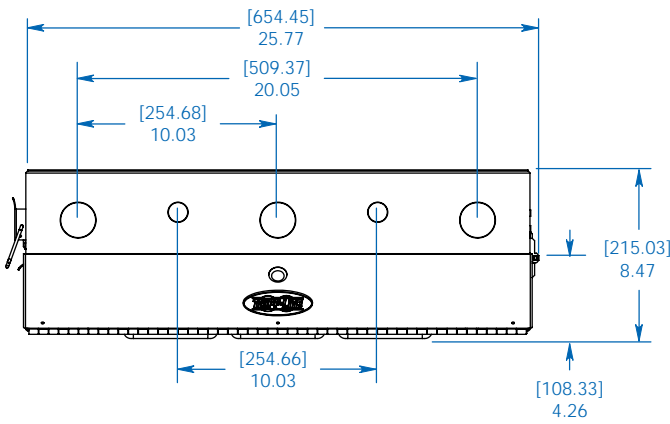


FRONT VIEW

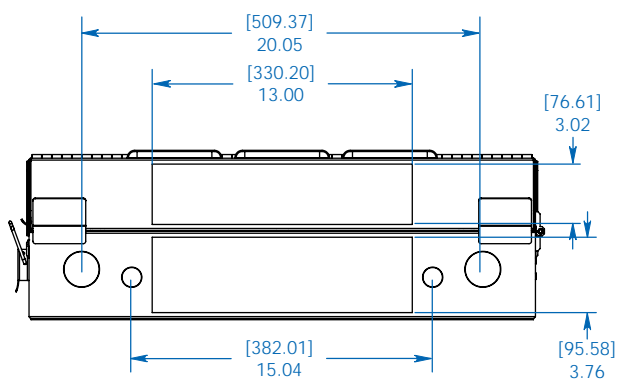
SIDE VIEW



REAR VIEW



TOP VIEW



BOTTOM VIEW

MODEL:
SRWF4U36
TRIPP-LITE

1111 W. 35th Street
 Chicago, IL 60609 USA
 773.869.1234
 www.tripplite.com

Dimensions: [mm] INCHES

Tripp Lite has a policy of continuous improvement. Specifications are subject to change without notice.