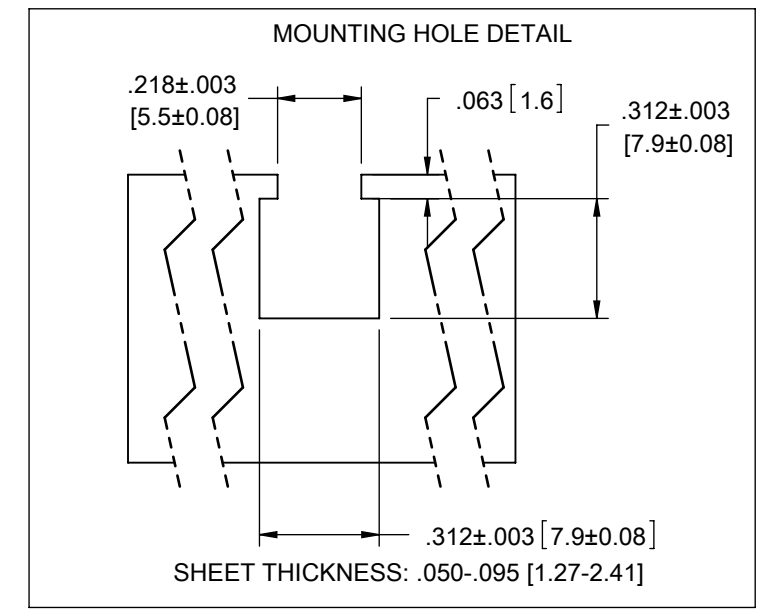
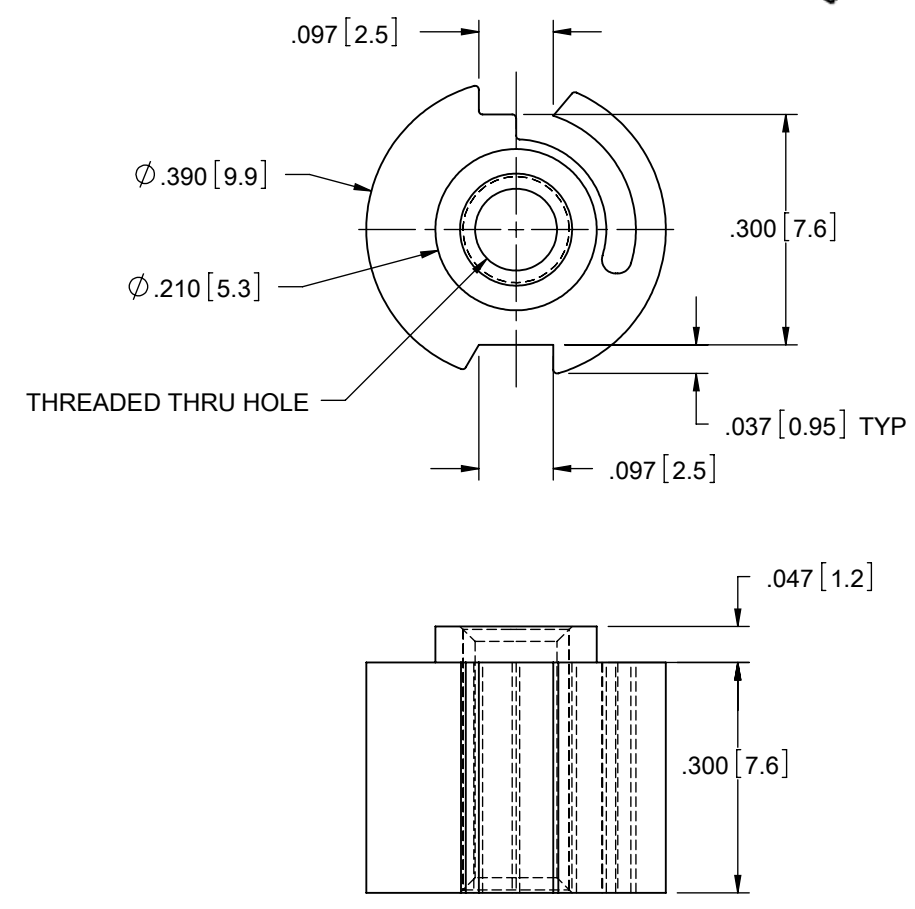
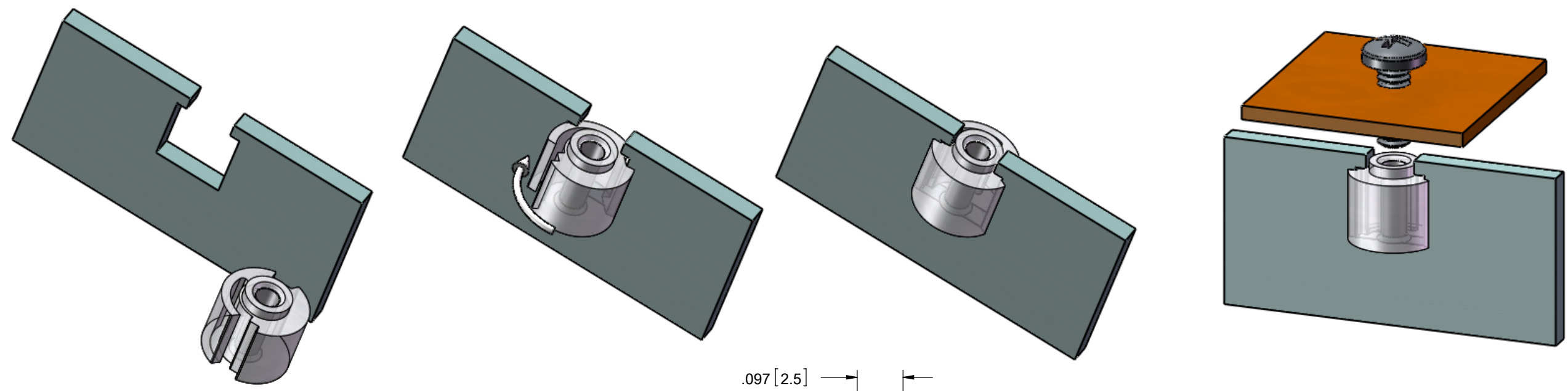


PART NO.	THREAD TYPE
SEI-1	#6-32 UNC
SEI-2	M4



NOTES:
 1. MATERIAL: NYLON UL 94 V-2 (RMS-01)
 2. COLOR: BLACK.
 3. TOOL REQUIRED FOR SCREW INSTALLATION

REV.	DESCRIPTION	ENGR.	DATE
A	RELEASED FOR PRODUCTION	SK	09/14/07

TITLE: SHEET EDGE INSERTS				DWG IN IN [MM]		FINAL	
CREATED USING SOLIDWORKS	FILE #: SEI-X	DWN: SK	APP: S.K.				
TOLERANCES UNLESS NOTED .XX=±.010 .XXX=±.005 FRAC.=±1/64 ANG.=±1°	SHEET: 1 OF 1	SHEET SIZE: B	DT: 09/12/07	CHKD: S.J.	PART #		PRINT TYPE
RE: RICHCO, INC.		RICHCO, INC. ENG@RICHCO-INC.COM (773) 539-4060		SEE TABLE		CA	