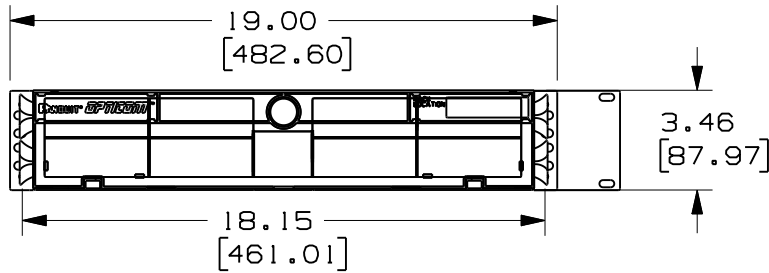
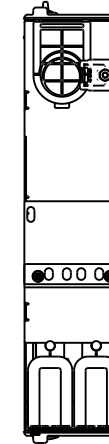
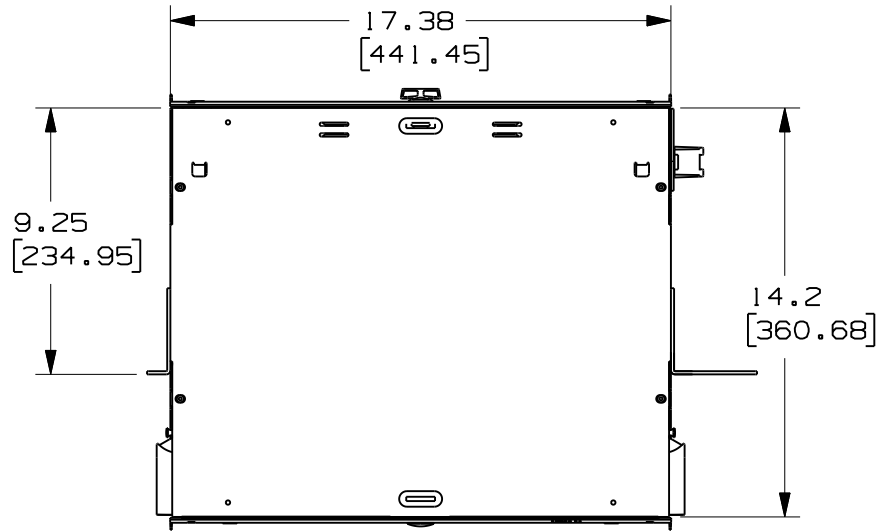


THIS COPY IS PROVIDED ON A RESTRICTED BASIS AND IS NOT TO BE USED IN ANY WAY DETRIMENTAL TO THE INTERESTS OF PANDUIT CORP.



MODEL FILENAME V10510AC\_FRME2\_MAIN\_ASSY\_15.PRT

CAD FILENAME/LAYERS V10510AC\_DC\_15A.PRT

PANDUIT CORP. TINLEY PARK, ILLINOIS

FIBER RACK MOUNT ENCLOSURE  
(FRME2U) CUSTOMER DRAWING

UNLESS OTHERWISE SPECIFIED, DIMENSIONAL TOLERANCES ARE:  
 INCHES X.X +/- 0.03 X.XX +/- 0.015 X.XXX +/- 0.005  
 [METRIC - MILLIMETER] X.X +/- 0.8 X.XX +/- 0.4 X.XX +/- 0.13  
 ANGLE +/- 1°

UNLESS OTHERWISE SPECIFIED,  
 ALL DIMENSIONS ARE GIVEN  
 IN INCHES, THIRD ANGLE PROJECTION.

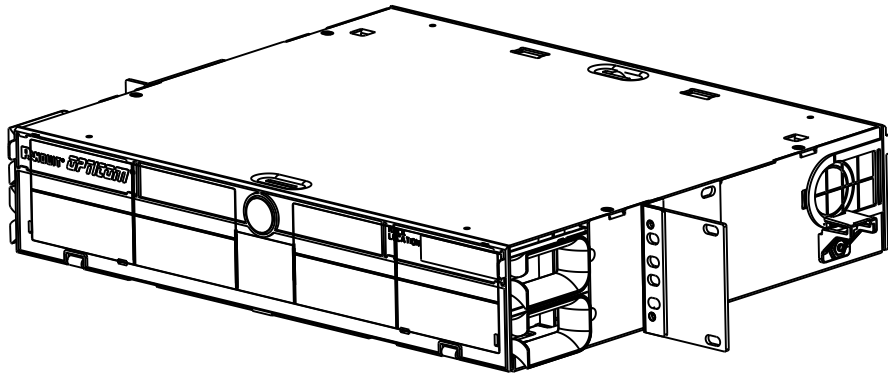
REV	DATE	BY	CHK	DESCRIPTION	ECN	R	CUST	SUP	OTH
02	5/26/09	JLG		SEE SHEET 1 OF 2 FOR REVISIONS	10510-11				
01	3/19/09	JLG	WJM	SEE SHEET 1 OF 2 FOR REVISIONS	10510-11				
00	11/12/07	JLG	WJM	SEE SHEET 1 OF 2 FOR REVISIONS	10510-11				

DRAWN BY JDWE  
 DATE 11/12/07  
 CHK'D WJM

MAT'L: SEE NOTES

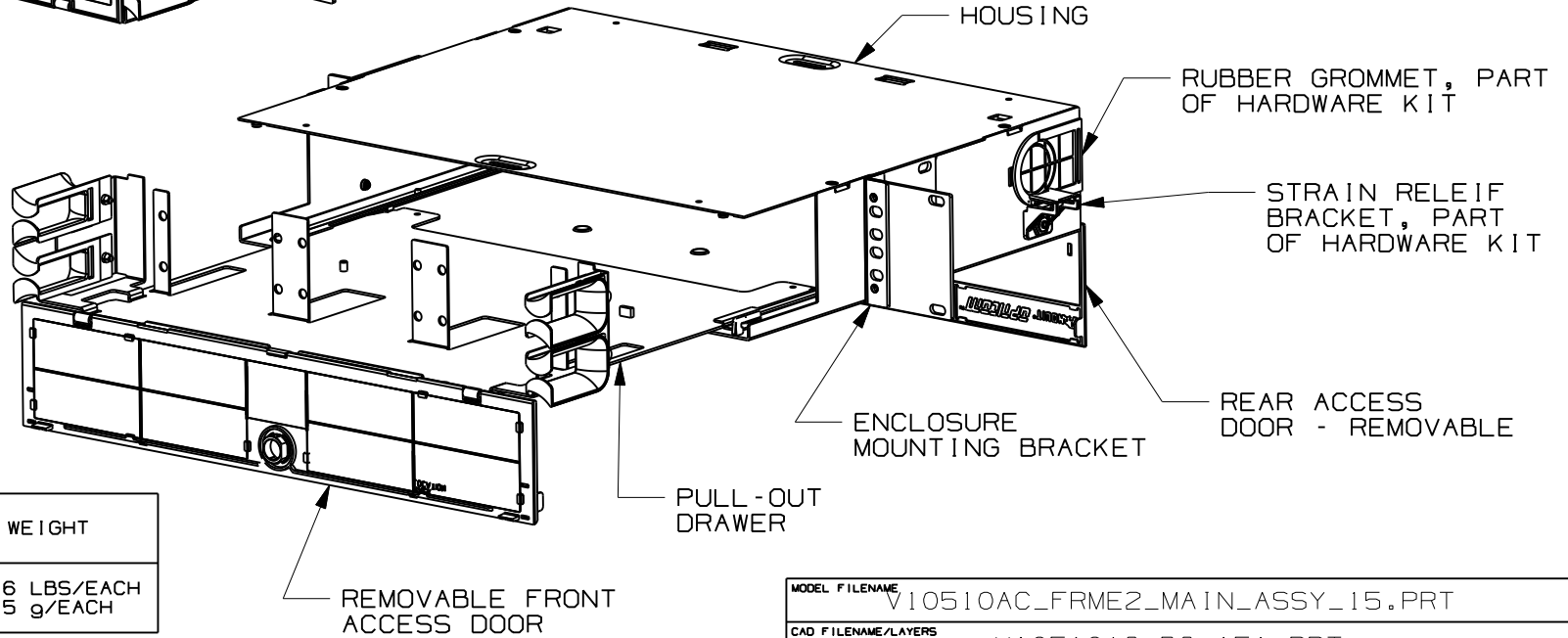
SCALE NONE  
 DRAWING NO. 10510-11  
 SHT 2 OF 2  
 DWG A SIZE

THIS COPY IS PROVIDED ON A RESTRICTED BASIS AND IS NOT TO BE USED IN ANY WAY DETRIMENTAL TO THE INTERESTS OF PANDUIT CORP.



NOTES:

1. SEE CATALOG FOR COMPLETE LIST OF PARTS APPLICABLE FOR USE WITH THIS PART.
2. DIMENSIONS IN PARENTHESIS ARE METRIC.
3. ENCLOSURE CAN BE MOUNTED ON A 19" OR 23" STANDARD EIA RACK.
4. COMPLETE ENCLOSURE IS MADE FROM 16 GAUGE GALVANNEALED STEEL.
5. ENCLOSURE IS PAINTED BLACK.
6. ENCLOSURE IS SUPPLIED WITH (1) HARDWARE KIT AND PORT I.D. LABEL.
7. PART CAN HOLD UP TO 6 FAPS.



PANDUIT PART NO.	WEIGHT
FRME2U	12.6 LBS/EACH 5715 g/EACH

MODEL FILENAME V10510AC\_FRME2\_MAIN\_ASSY\_15.PRT

CAD FILENAME/LAYERS V10510AC\_DC\_15A.PRT

PANDUIT CORP. TINLEY PARK, ILLINOIS

FIBER RACK MOUNT ENCLOSURE (FRME2U) CUSTOMER DRAWING

UNLESS OTHERWISE SPECIFIED, DIMENSIONAL TOLERANCES ARE:  
 INCHES X.X +/- 0.03 X.XX +/- 0.015 X.XXX +/- 0.005  
 [METRIC - MILLIMETER] X.X +/- 0.8 X.X +/- 0.4 X.XX +/- 0.13  
 ANGLE +/- 1°

UNLESS OTHERWISE SPECIFIED, ALL DIMENSIONS ARE GIVEN IN INCHES, THIRD ANGLE PROJECTION.

REV	DATE	BY	CHK	DESCRIPTION	ECN	R	CUST	SUP	OTH
02	5/26/09	JLG		REVISED FOR CURRENT VERSION	10510-11				
01	3/19/09	JLG	WJM	REVISED FOR CURRENT VERSION	10510-11				
00	11/12/07	JLG	WJM	RELEASED TO PRODUCTION	10510-11				

DRAWN BY JLG  
 DATE 11/12/07  
 CHK'D WJM

MAT'L:

SEE NOTES

SCALE NONE

DRAWING NO. 10510-11  
 SHT 1 OF 2

DWG A SIZE