

Qty per:	Tray	Carton		
	45	900		
PART NUMBER : SFPCAGE002-L				
No.	DESCRIPTION	Q'ty	MATERIAL	PLATING
01	CAGE TOP	1	COPPER ALLOY	Nickel
02	CAGE BOTTOM	1	COPPER ALLOY	Nickel

MM (INCH)	
TOLERANCES EXCEPT AS NOTED	
MM	±
.0 ± 0.2	±
.00 ± 0.15	±
.000 ± 0.075	±
ANGLES ± 0.5	
THIRD ANGLE PROJECTION	

RoHS Compliant

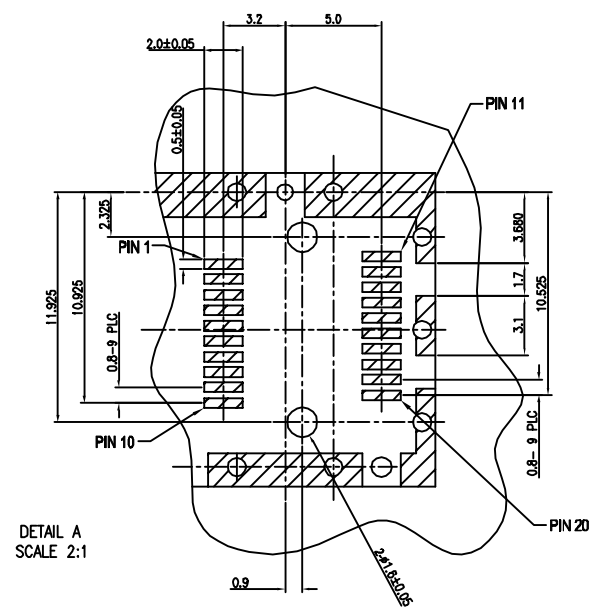
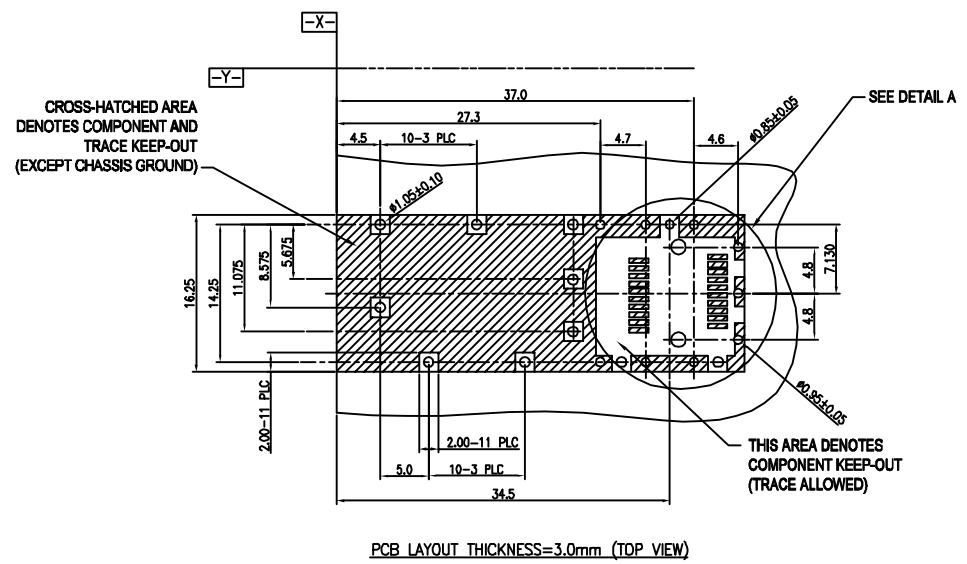
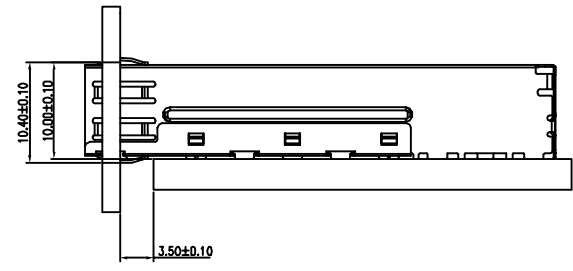
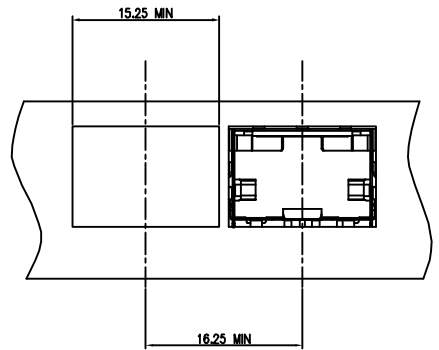


TITLE (Non-Logo)
SFP CAGE 1 BY 1 PRESSFIT

DFTO Jack	DRAWING NO. SFPCAGE002-L	SIZE	REV
DATE 8/03/06	/PART NO.	A3	0
SCALE : 1:1	DO NOT SCALE DRAWING	SHEET 1	OF 2

8 | 7 | 6 | 5 | 4 | 3 | 2 | 1

H
G
F
E
D
C
B
A



8 | 7 | 6 | 5 | 4 | 3 | 2 | 1

H
G
F
E
D
C
B
A

← MM (INCH) → TOLERANCES EXCEPT AS NOTED		RoHS Compliant			
MM .0 ± 0.2 ± .00 ± 0.15 ± .000 ± 0.075 ±		TITLE SFP CAGE 1 BY 1 PRESSFIT		(Non-Logo)	
ANGLES ± 0.5		DFTO Jack DATE 8/03/06		DRAWING NO. SFPCAGE002-L /PART NO.	
 THIRD ANGLE PROJECTION		SCALE : 1:1		DO NOT SCALE DRAWING	
		SHEET 2 OF 2		SIZE A3	REV 0