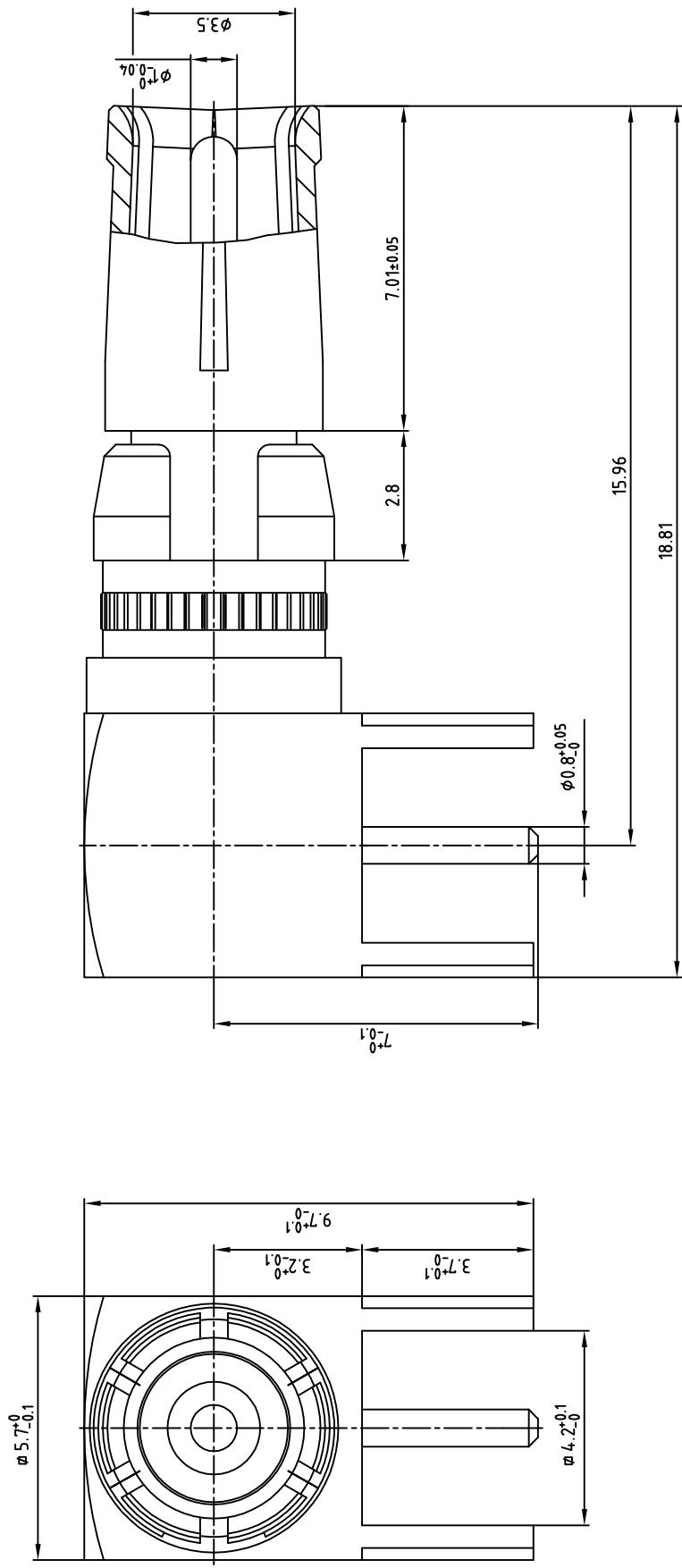


used for: D-SUB COMBINATION



Directive 2002/95/EC RoHS compliant

tolerance		scale: 10:1	
2006	dim. in mm	material:	
date	name	title:	
30.03.	Lehmentüller	COAXIAL SOCKET CONTACT 50 OHM	
drawn	Mickenbecker	SOLDER TERMINATION 90° (80) WITH 5 PINS	
30.03.	norm	for D-SUB COMBINATION	
appd.	6-old	dwg no:	DIN-A
rev.	name	AutocAD 2006	3
1	origin	13K2A073A	sh: 1/1
2	rev. description	part no: 132J25519X	
3	date		
4	name		
<p>THIS DRAWING MAY NOT BE COPIED OR REPRODUCED IN ANY WAY, AND MAY NOT BE PASSED ON TO A THIRD PARTY WITHOUT WRITTEN PERMISSION.</p> <p>OWNERSHIP AND COPYRIGHT OF CONEC GMBH DO NOT ALTER CAD DRAWING BY HAND</p>			
<p>APPROVAL # FREIGABE # DEBLOCKAGE # AUTORIZACION # APPROVAL</p> <p>CUSTOMER APPROVAL DATE:</p> <p>NAME: TITLE:</p> <p>COMPANY NAME:</p> <p>APPROVAL # FREIGABE # DEBLOCKAGE # AUTORIZACION # APPROVAL</p>			