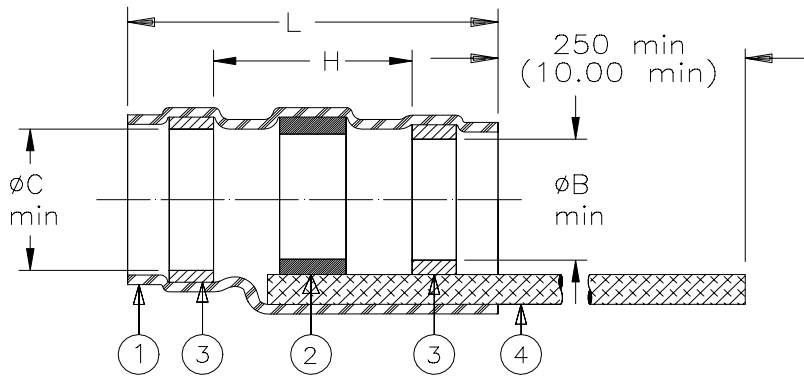


SPECIFICATION CONTROL DRAWING



Product Revisions		Component Dimensions				Shall Accommodate Cable With Dimensions			
Part Name		Ident. Code	L±1.75 (L±0.07)	B min	C min	H min	E max	F min	D max
S03-01-R-9035-100	A	1-HB	16.5 (0.650)	1.9 (0.075)	2.65 (0.105)	8.25 (0.325)	2.65 (0.105)	0.90 (0.035)	1.9 (0.075)
S03-02-R-9035-100	A	2-HB	16.5 (0.650)	2.65 (0.105)	3.55 (0.140)	8.25 (0.325)	3.55 (0.140)	1.40 (0.055)	2.65 (0.105)
S03-03-R-9035-100	A	3-HB	16.5 (0.650)	4.3 (0.170)	5.0 (0.195)	8.25 (0.325)	5.0 (0.195)	2.15 (0.085)	4.3 (0.170)
S03-04-R-9035-100	A	4-HB	19.7 (0.775)	5.95 (0.235)	6.45 (0.255)	8.25 (0.325)	6.45 (0.255)	3.30 (0.130)	5.95 (0.235)
S03-05-R-9035-100	A	5-HB	19.7 (0.775)	7.0 (0.275)	7.6 (0.300)	8.25 (0.325)	7.6 (0.300)	4.30 (0.170)	7.0 (0.275)

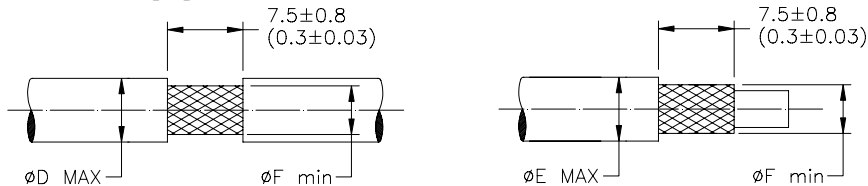
MATERIAL

- INSULATION SLEEVE: Heat-shrinkable, radiation cross-linked modified polyvinylidene fluoride. Transparent blue.
- SOLDER PREFORM WITH FLUX & THERMAL INDICATOR:
 - SOLDER: TYPE Sn63 per ANSI J-STD-006.
 - FLUX: TYPE ROL1 per ANSI J-STD-004.
 - THERMAL INDICATOR: Color change violet to colorless.
- MELTABLE RINGS: Thermally stabilized thermoplastic. Color: blue.
- PRE-INSTALLED BRAID: Tin plated copper strands. CMA 1000.

APPLICATION

- These parts are designed to provide an environment protected shield termination on cables, rated for 125°C minimum, meeting the dimensional criteria listed, having tin or silver plated shields.
- Temperature range: -55°C to +150°C.
- Install using Raychem-approved convection or infrared heating tools in accordance with Raychem process standard RCPS-100-70. Infrared tools are not recommended for use with black jackets.

For best results, prepare the cable as shown:



*A trademark of Raychem Corporation.

Raychem		THERMOFIT DEVICES	Raychem Corporation 300 Constitution Drive Menlo Park, CA 94025 USA	TITLE: SOLDERSLEEVE* DEVICE SHIELD TERMINATION WITH BRAID			
UNLESS OTHERWISE SPECIFIED DIMENSIONS ARE IN MILLIMETERS. INCHES DIMENSIONS ARE IN BETWEEN BRACKETS.				DOCUMENT NO.: S03-0X-R-9035-100			
TOLERANCES: 0.00 N/A 0.0 N/A 0 N/A	ANGLES: N/A	Raychem reserves the right to amend this drawing at any time. Users should evaluate the suitability of the product for their application.		DCR NUMBER: D981108	REPLACES: S03-9035		
DRAWN BY: R. MAPALO	DATE: 07/20/98	REV.: SEE TABLE	DOC ISSUE: 1	SCALE: NONE	SIZE: A	SHEET: 1 of 1	

If this document is printed it becomes uncontrolled. Check for the latest revision.