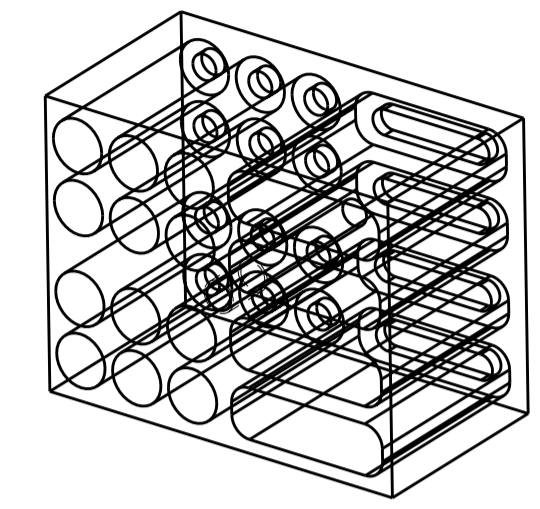
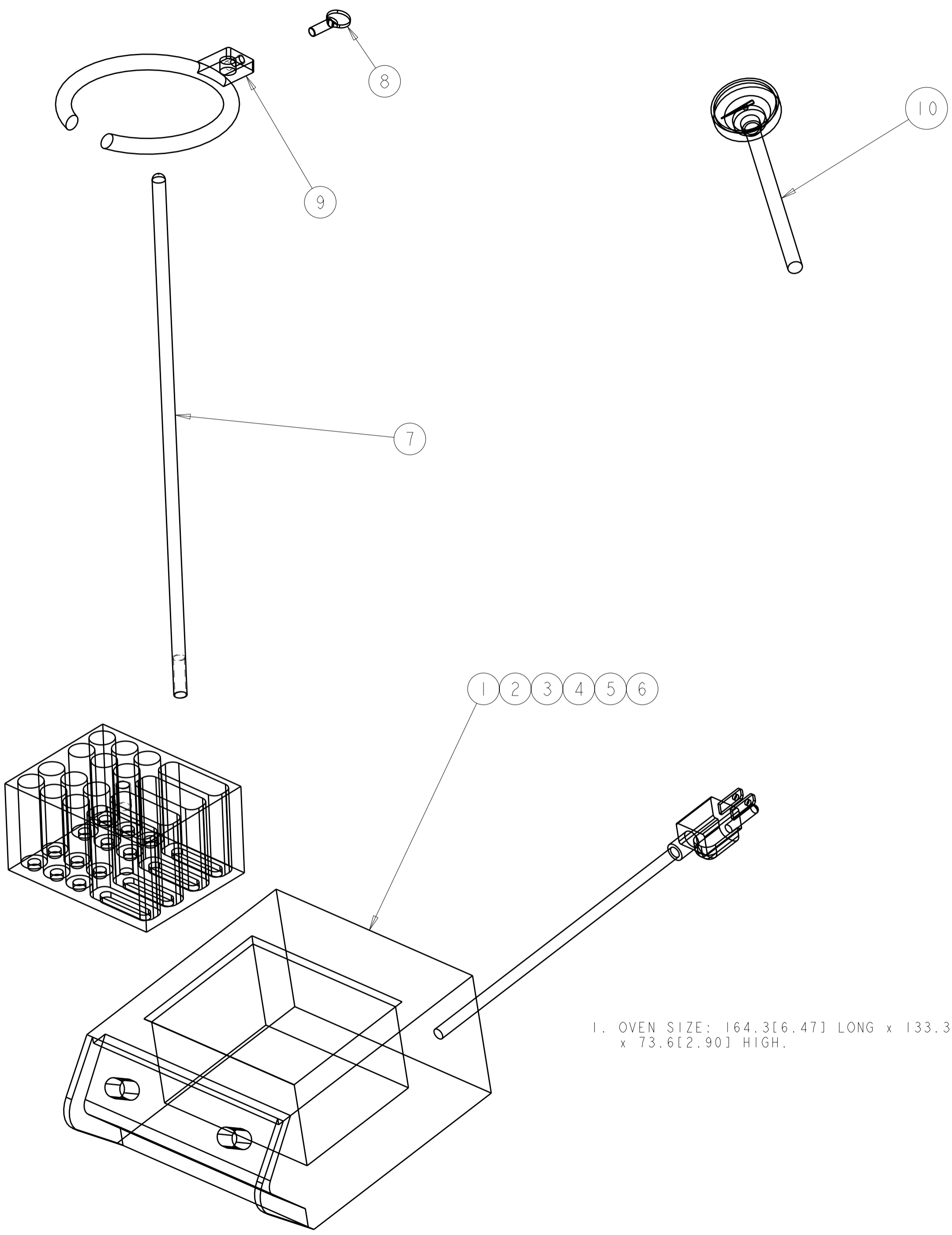
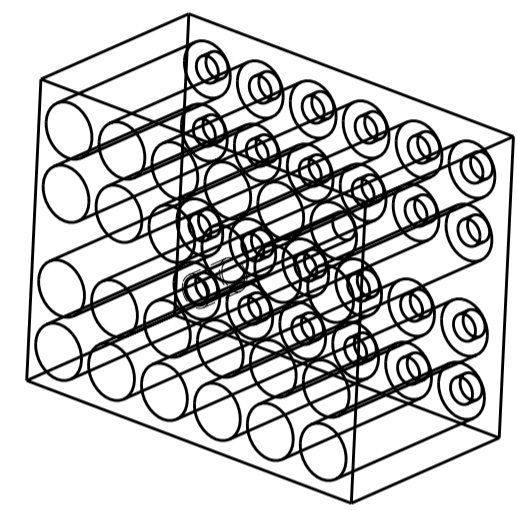


THIS DRAWING IS UNPUBLISHED. RELEASED FOR PUBLICATION .19
 © COPYRIGHT 19 BY AMP INCORPORATED. ALL RIGHTS RESERVED.

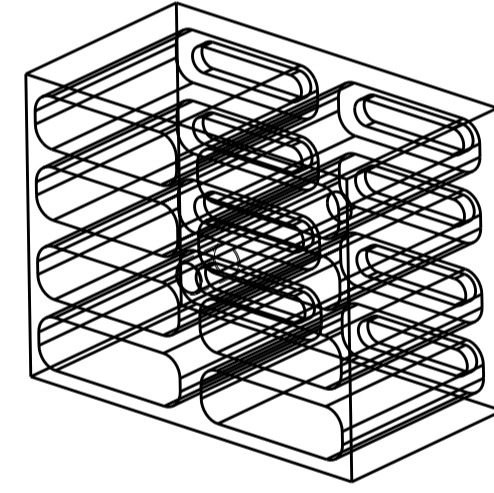
| LOC | DIST | REVISIONS | | | | | |
|-----|------|-----------|-----|--------------------------|-----------|-----|------|
| CE | 00 | F | LTR | DESCRIPTION | DATE | DWN | APVD |
| | | J | | REVISE PER ECR-06-015377 | 13JUL2006 | BB | DK |



UNIVERSAL HEAT CURE BLOCK
INCLUDED WITH 502134-1 & -2



SMA, ST, FC HEAT CURE BLOCK
INCLUDED WITH 502134-3 & -4



FSD HEAT CURE BLOCK
INCLUDED WITH 502134-5 & -6

1. OVEN SIZE: 164.3[6.47] LONG x 133.3[5.25] WIDE
x 73.6[2.90] HIGH.

OBSOLETE

| | | | | | | | | | | THERMOMETER | 10 |
|----|----|----|----|----|----|--|--|--|--|--------------------------------|----------|
| | | | | | | | | | | CABLE SUPPORT BRACKET | 9 |
| | | | | | | | | | | #10-24 UNC x .50 THUMB SCREW | 8 |
| | | | | | | | | | | CABLE SUPPORT ROD | 7 |
| | | | | | | | | | | 240V OVEN WITH FSD BLOCK | 6 |
| | | | | | | | | | | 120V OVEN WITH FSD BLOCK | 5 |
| | | | | | | | | | | 240V OVEN WITH SMA,ST,FC BLOCK | 4 |
| | | | | | | | | | | 120V OVEN WITH SMA,ST,FC BLOCK | 3 |
| | | | | | | | | | | 240V OVEN WITH UNIVERSAL BLOCK | 2 |
| | | | | | | | | | | 120V OVEN WITH UNIVERSAL BLOCK | 1 |
| -6 | -5 | -4 | -3 | -2 | -1 | | | | | DESCRIPTION | ITEM NO. |

| | | | |
|--|---|---|--|
| <small>THIS DRAWING IS A CONTROLLED DOCUMENT FOR AMP INCORPORATED. IT IS SUBJECT TO CHANGE AND THE CONTROLLING ENGINEERING ORGANIZATION SHOULD BE CONTACTED FOR THE LATEST REVISION.</small> | | DWN B. BRIGGS 13JUL2006 CHK D. KIRSCH 13JUL2006 APVD S. BUCHTER 13JUL2006 | AMP Tyco Electronics Harrisburg, PA 17105-3608 |
| DIMENSIONS: mm [INCHES] | TOLERANCES UNLESS OTHERWISE SPECIFIED: 0 PLC ± 1 PLC ±3.0(.12) 2 PLC ± 3 PLC ± 4 PLC ± ANGLES ± FINISH - | PRODUCT SPEC - APPLICATION SPEC - WEIGHT - | NAME HEAT CURE OVEN ASSEMBLY, OPTIMATE SIZE A2 CAGE CODE 00779 DRAWING NO. 502134 SCALE NTS SHEET 1 OF 1 REV J |
| CUSTOMER DRAWING | | | |