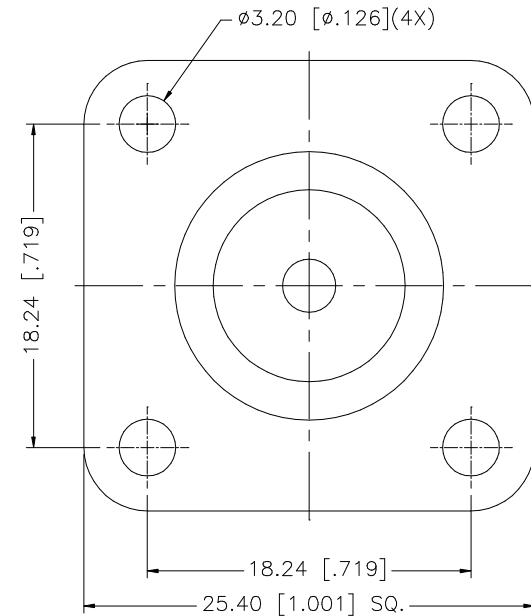
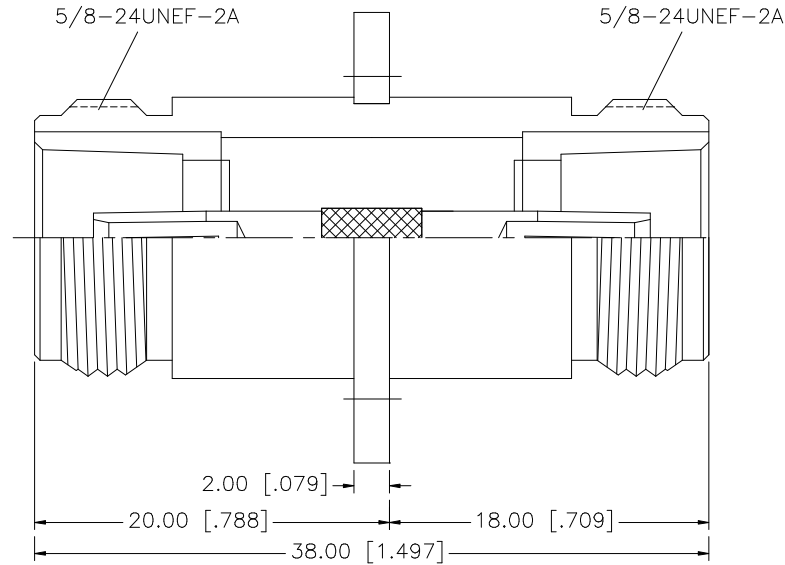


REV.	DATE	DESCRIPTION
NC	08/28/00	INITIAL RELEASE
A	12/17/06	UPDATE DRAWING FORMAT
B	01/17/07	REVISE BODY PLATING TO NEXCOTE



8					<small>UNLESS OTHERWISE SPECIFIED DIMENSIONS ARE IN MILLIMETERS. DIMENSIONS IN [] ARE IN INCHES AND FOR CUSTOMER REFERENCE ONLY.</small> <small>UNLESS OTHERWISE SPECIFIED TOLERANCES FOR MILLIMETERS ARE:</small> 0.5 - 8mm ± 0.20mm 8 - 30mm ± 0.40mm 30 - 120mm ± 0.50mm <small>UNLESS OTHERWISE SPECIFIED TOLERANCES FOR INCHES ARE:</small> .020 - .315 ± 0.007" .315 - 1.180 ± 0.015" 1.180 - 4.724 ± 0.020"	APPROVALS	DATE	<h1 style="color: blue; text-align: center;">Amphenol Connex</h1>				
7				DRAWN		G.R.S.	01/17/07				PART DESCRIPTION <h2 style="text-align: center;">N PANEL JACK TO JACK ADAPTER</h2>	
6				CHECKED				PART NO. <h2 style="text-align: center;">172278</h2>				
5				ISSUED							DWG. NO. 172278.DWG	
4				SHEET	1 OF 1		REV.	B	SIZE	A		
3	CONTACT PIN	PHOS. BRONZE	GOLD	1	DO NOT SCALE DRAWING							
2	INSULATOR	TEFLON	NATURAL	1								
1	BODY	BRASS	NEXCOTE	1								
	DESCRIPTION	MATERIAL	FINISH	QTY								