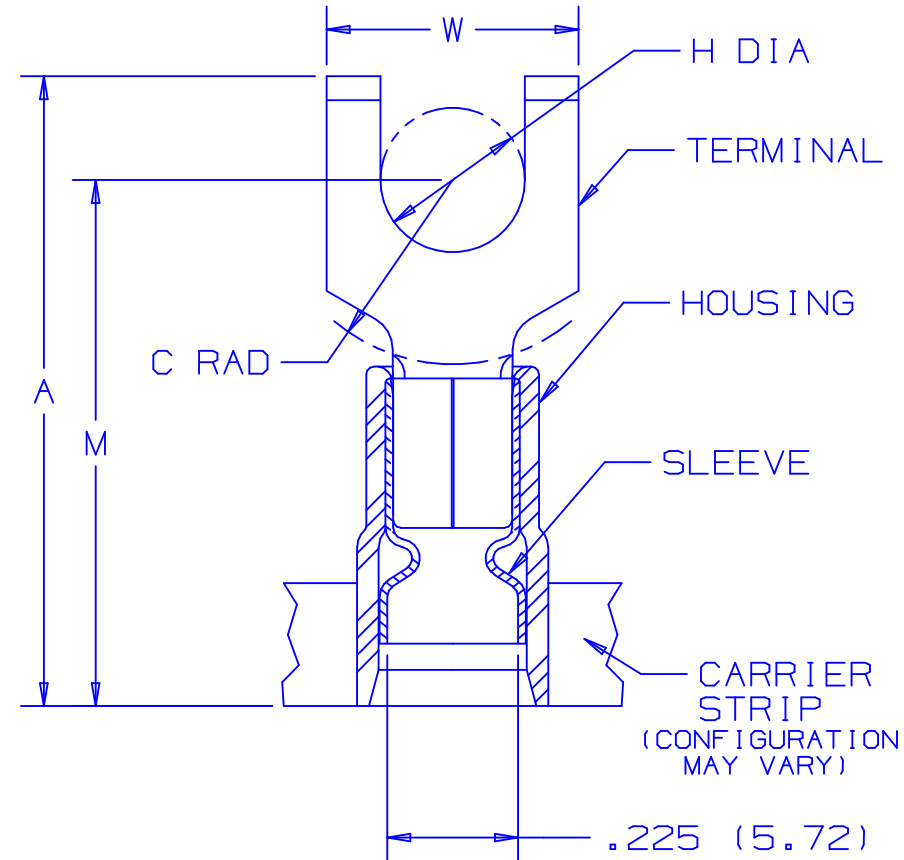
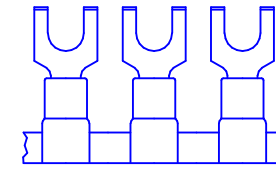


PANDUIT PART NUMBER	STUD SIZE	DIMENSIONS in.				
		A $\pm .040$	W $\pm .010$	C $\pm .020$	M $\pm .040$	H $\pm .010$
PNF10-8FF-2K	#8	1.05 (26.67)	.38 (9.65)	.24 (6.09)	.80 (20.32)	.17 (4.32)
PNF10-10FF-2K	#10	1.05 (26.67)	.38 (9.65)	.24 (6.09)	.80 (20.32)	.20 (5.08)



.225 (5.72)
MAX WIRE
INSUL DIA.
.135 (3.43)
MIN. WIRE
INSUL. DIA.



NOTES :

- UL LISTED AND CSA CERTIFIED FOR :
A. 600 V MAX. VOLTAGE RATING
B. 221°F (105°C) MAX. TEMP. RATING
C. #12-10 AWG (2.5-6.0 mm²) SOLID OR STRANDED, COPPER WIRE
- PACKAGE QTY. : 2K = 2000 PCS.
CONTINUOUS MOLDED CARRIER STRIP
- MATERIAL :
A. STAMPING - .04" THK COPPER, TIN PLATED
B. HOUSING - YELLOW NYLON
C. SLEEVE - BRASS, TIN PLATED
- DIMENSIONS IN BRACKETS ARE IN MILLIMETERS
- INSTALLATION TOOLS :
A. PRESSES - CP-851, CP-860, CP-861
B. APPLICATOR - CA-800
C. DIE INSERTS - CD-800-3

6. WIRE STRIP LENGTH: $11/32^{+1/32}_{-0}$ (8.7^{+0.8}₋₀)



A41136_06

06	6/04	JHNU		REVISED P/N'S IN TABLE: 2K WAS 3K.					<p>TINLEY PARK, ILLINOIS</p> <p>TERMO 3PC. CONTINUOUSLY MOLDED NYLON (FUNNEL) INSULATED, 12-10 BARREL, FLANGED FORKS</p>			
05	12/00	ED	SKB	FILESPEC WAS: N41136AA_PCD_04	08925	--	JAC	CCH				
04	5/99	ED		UPDATED "A"&"M" DIM.S, AND MODIFIED DIMENSIONAL TOLERANCES	07670							
03	1/96	JAMB	RLS	ADDED DIM., "MIN. WIRE INSULATION DIA."	05441		LA	DBH				
REV	DATE	BY	CHK	DESCRIPTION	ECN	QA	CUST	PM	DRAWN BY GRM	CHK'D FS	SCALE NONE	DRAWING NO. A41136