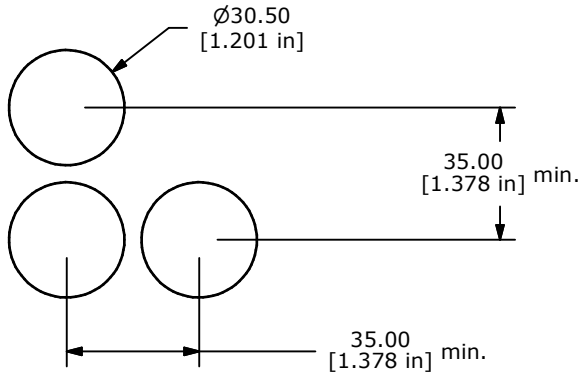
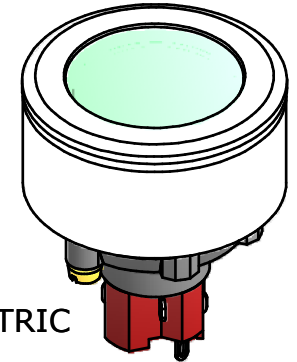
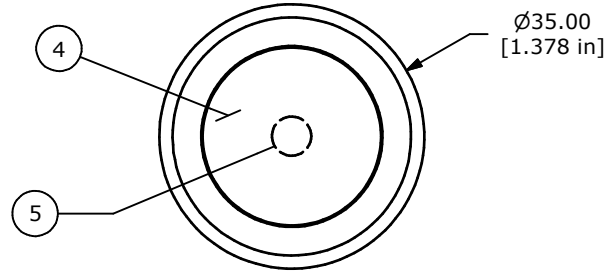


▲ Parts List

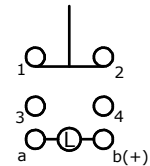
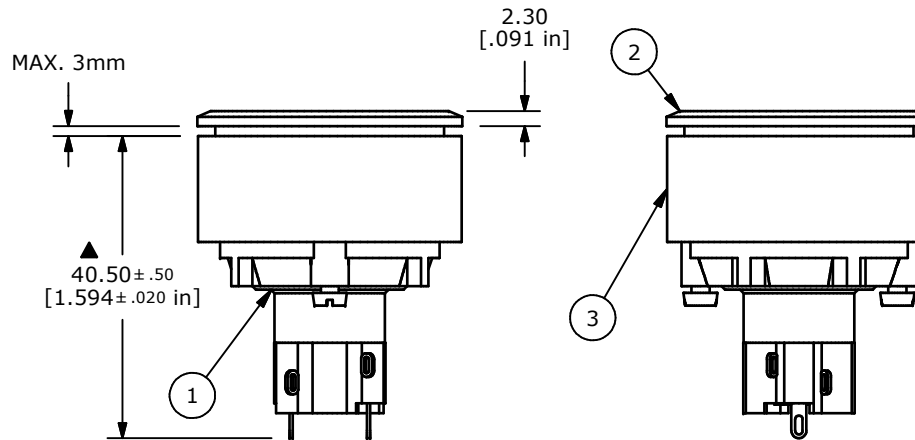
ITEM	QTY	PART NUMBER	DESCRIPTION
1	1	F060614	LASEEU11 BODY
2	1	F051706	35MM FLUSH MOUNT BEZEL
3	1	F051707	35MM FLUSH MOUNT RETAINER
4	1	F060212	29MM GREEN LENS
5	1	F050411	NEON LAMP, 110 VAC GREEN



RECOMMEND PANEL MOUNTING



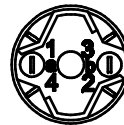
ISOMETRIC



▲ SPDT CONTACT CONFIGURATION

NOTES:

- ALL DIMENSIONS IN MM [INCH].
- GENERAL TOLERANCE: 0.0±0.4  
0.00±0.25
- TERM. NOS. FOR REF. ONLY.
- RATING: 5A @250VAC  
8A @125VAC  
.2A @250VDC  
6A @24VDC
- INSULATION: 1,000 MΩ MIN.
- DIELECTRIC STRENGTH: 1,500V FOR 1 MIN.
- SEALED TO IP65.
- TRAVEL: 3.0MM FULL TRAVEL, 2.0MM LATCH
- ELECTRICAL LIFE: >50,000 CYCLES
- OPERATING TEMP: -25C TO +55C
- PANEL THICKNESS: 0.5MM TO 3.0MM
- LAMP VOLTAGE: GREEN NEON, 110 VAC
- ▲ DENOTES CRITICAL PARAMETER.
- 2002/95/EC (ROHS) COMPLIANT



TITLE LASEEU31FGRNGRN

A	18127	RELEASE FOR PRODUCTION	6/12/08	BLR
REV	PCR NO	DESCRIPTION	DATE	BY

SCALE	DATE	DR	DWG	REV
1:1	6/12/2008	BLR	XF0753P	A

THE INFORMATION CONTAINED IN THIS DOCUMENT IS PROPRIETARY TO E-SWITCH AND IS NOT TO BE COPIED OR TRANSFERRED