

DBL13W3S700G30LF

REFERENCE SPECIFICATIONS

-NFC 93425 (in compliance with HE 507)

PHYSICAL CHARACTERISTICS

- INSULATOR MATERIAL: THERMOPLASTIC UL94V0
- CONTACT MATERIAL: PHOSPHOR BRONZE(SIGNAL CONTACT)
BRASS (POWERS CONTACT)
- ACCESSORIES: BRASS
- SHELLS: STEEL

ELECTRICAL CHARACTERISTICS

- NOMINAL CURRENT: 7.5A (SIGNAL CONTACT)
30A (POWER CONTACT)
- CONTACT RESISTANCE: <=7.3 m Ohms(SIGNAL and POWER)
- CONTACT/CONTACT : >=1000 V
- CONTACT/GROUND : >=1200 V
- INSULATION RESISTANCE: >=5000 MOhms
- CLIMATIC CATEGORY: 55/125/21
TEMPERATURE RANGE -55°C TO +125°C
DAMP HEAT STEADY STATE 21 DAYS
SALT SPRAY 48 HOURS
- RETENTION AGAINST TORQUE: - Threaded insert: 0.7 N.m minimum
- Female screw : 0.5 N.m minimum

Series

Shell size: **A B C**
see sheet 3

Front accessory definition
see sheet 2

- blank** :without accessory
- L** :threaded insert M3
- O** :threaded insert UNC 4-40
- V** :female screw UNC 4-40

Layout of contacts (see sheets)

Contacts

S :Socket

Termination type

7 Right angle/USA

Plating

- 00** 200 matings/unmatings
- 43** 500 matings/unmatings

PCB accessories definition
see sheet 2

- A** :without accessory
- H** :Metal brackets+harpoons for PCB 2.40mm
- G** :Metal brackets+harpoons for PCB 1.60mm
- M** :Metal brackets

Power contacts

- 00** :Not fitted with power contact (signal contacts always fitted)
- 30** :Fitted with power contacts 30 Amp.

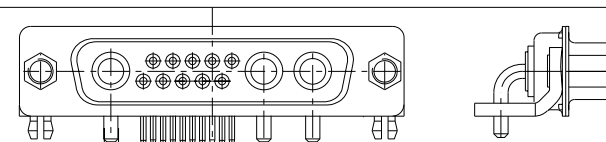
See note RoHS

NOTE RoHS INFORMATION

- The "LF" products meet european union Directives and other country regulations as described in GS-22-008.
- The housing will withstand exposure to 260°C peak temperature for 3.5 seconds in a wave solder application with a 1.6mm minimum thick circuit board. See application notes/procedures if they are available.
- Termination plating spec:
 - Signal contacts: Ni + Gold
 - Power contacts: Ni 1.27µm+Sn 2.5 to 7.5µm,pure bright
- Active area plating spec:
 - Signal and power contacts: Ni + Gold
- Shell plating :2 to 4µm Cu + Ni + 3 to 10µm Sn,pure bright
- Accessories: Sn pure bright + Nickel
- Packaging spec: See GS-14-920

TABLE 1:PCB HOLE DIAMETERS

	POWER CONTACTS		ACCESSORIES	SIGNAL CONTACTS	
30 A	2.00	∅2.40	∅3.10	∅0.90 min	
Max current power	∅A ^{+0.1} ₀	PCB HOLE +/-0.1	PCB HOLE +/-0.1	PCB HOLE +/-0.1	



13W3 FOR EXAMPLE

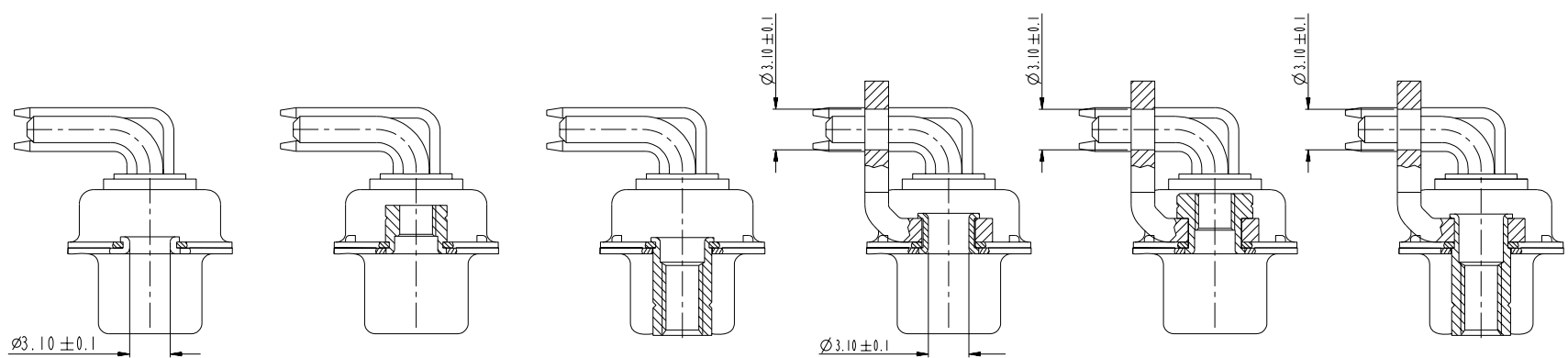
www.fciconnect.com		surface ISO 1302	tolerance std ISO 406 ISO 1101	projection	mm
TOLERANCES UNLESS OTHERWISE SPECIFIED					
Dr	M PESSON	2005-10-11	ANGULAR	size A2	Scale 2:1
Eng	P LEGARE	2005-10-11	LINEAR	ECN F09-0092	
Chr			0° ±2°	Spec ref	
Appr			Product family		

rev	ecn no	dr	date	title	part no	Rev.
A	LS05-0101	MPE	2005-10-11	SUB FEMALE DW US foot print	C01-8639-2301	D
B	LS06-0208	LGO	2006-12-12	mixed power right angled solder		
C	LS07-0213	MPE	2007/10/31			
D	F09-0092	LSA	2009/09/16			

I 2 3 4 5 6 7 8

A

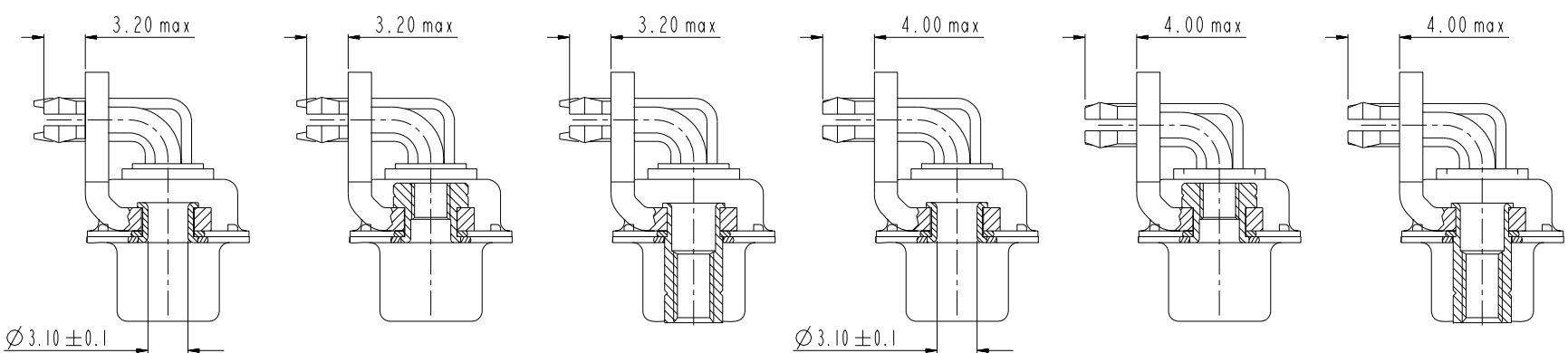
B



FRONT ACCESSORY	Blank Without	L insert M3 O insert UNC 4.40	V insert UNC 4.40	Blank Without	L insert M3 O insert UNC 4.40	V insert UNC 4.40
PCB ACCESSORIES	A Without	A Without	A Without	M Metal brackets	M Metal brackets	M Metal bracket

C

D



FRONT ACCESSORY	Blank Without	L insert M3 O insert UNC 4.40	V insert UNC 4.40	Blank Without	L insert M3 O insert UNC 4.40	V insert UNC 4.40
PCB ACCESSORIES	G Metal brackets + harpoons for PCB 1.60mm	G Metal brackets + harpoons for PCB 1.60mm	G Metal brackets + harpoons for PCB 1.60mm	H Metal brackets + harpoons for PCB 2.40mm	H Metal brackets + harpoons for PCB 2.40mm	H Metal brackets + harpoons for PCB 2.40mm

E

Copyright FCI.

F

www.fciconnect.com		surface ISO 1302	tolerance std ISO 406 ISO 1101	projection	mm
TOLERANCES UNLESS OTHERWISE SPECIFIED					
Dr	M PESSON	2005-10-11	ANGULAR	size	Scale
Eng	P LEGARE	2005-10-11	LINEAR	A2	2:1
Chr			0° ± 2°	ECN	F09-0092
Appr			Product family	Spec ref	

SCALE: 4

FCI	TITLE	Sub FEMALE DW US foot print mixed power right angled solder	Part no	C01-8639-2301	Rev.	D
------------	-------	---	---------	---------------	------	---

I 2 3 4 5 6 7 8

A
B
C
D
E
F

A
B
C
D
E
F

PART NUMBER	AMPS	MATINGS/ UNMATINGS	FRONT ACCESSORY	PCB ACCESSORIES
D*xWxS700A30LF	30	200	without	without
D*LxWxS700A30LF	30	200	insert M3	without
D*OxWxS700A30LF	30	200	insert UNC 4.40	without
D*VxWxS700A30LF	30	200	female screw UNC 4.40	without
D*xWxS700H30LF	30	200	without	metal bracket+harpoon PCB 2.40mm
D*LxWxS700H30LF	30	200	insert M3	metal bracket+harpoon PCB 2.40mm
D*OxWxS700H30LF	30	200	insert UNC 4.40	metal bracket+harpoon PCB 2.40mm
D*VxWxS700H30LF	30	200	female screw UNC 4.40	metal bracket+harpoon PCB 2.40mm
D*xWxS700G30LF	30	200	without	metal bracket+harpoon PCB 1.60mm
D*LxWxS700G30LF	30	200	insert M3	metal bracket+harpoon PCB 1.60mm
D*OxWxS700G30LF	30	200	insert UNC 4.40	metal bracket+harpoon PCB 1.60mm
D*VxWxS700G30LF	30	200	female screw UNC 4.40	metal bracket+harpoon PCB 1.60mm
D*xWxS700M30LF	30	200	without	metal bracket
D*LxWxS700M30LF	30	200	insert M3	metal bracket
D*OxWxS700M30LF	30	200	insert UNC 4.40	metal bracket
D*VxWxS700M30LF	30	200	female screw UNC 4.40	metal bracket

shell size * LAYOUTS
xWx

A 11W1
A 7W2
B 21W1
B 17W2
B 13W3
C 25W3
C 21WA4
C 27W2

PART NUMBER	AMPS	MATINGS/ UNMATINGS	FRONT ACCESSORY	PCB ACCESSORIES
D*xWxS743A30LF	30	500	without	without
D*LxWxS743A30LF	30	500	insert M3	without
D*OxWxS743A30LF	30	500	insert UNC 4.40	without
D*VxWxS743A30LF	30	500	female screw UNC 4.40	without
D*xWxS743H30LF	30	500	without	metal bracket+harpoon PCB 2.40mm
D*LxWxS743H30LF	30	500	insert M3	metal bracket+harpoon PCB 2.40mm
D*OxWxS743H30LF	30	500	insert UNC 4.40	metal bracket+harpoon PCB 2.40mm
D*VxWxS743H30LF	30	500	female screw UNC 4.40	metal bracket+harpoon PCB 2.40mm
D*xWxS743G30LF	30	500	without	metal bracket+harpoon PCB 1.60mm
D*LxWxS743G30LF	30	500	insert M3	metal bracket+harpoon PCB 1.60mm
D*OxWxS743G30LF	30	500	insert UNC 4.40	metal bracket+harpoon PCB 1.60mm
D*VxWxS743G30LF	30	500	female screw UNC 4.40	metal bracket+harpoon PCB 1.60mm
D*xWxS743M30LF	30	500	without	metal bracket
D*LxWxS743M30LF	30	500	insert M3	metal bracket
D*OxWxS743M30LF	30	500	insert UNC 4.40	metal bracket
D*VxWxS743M30LF	30	500	female screw UNC 4.40	metal bracket

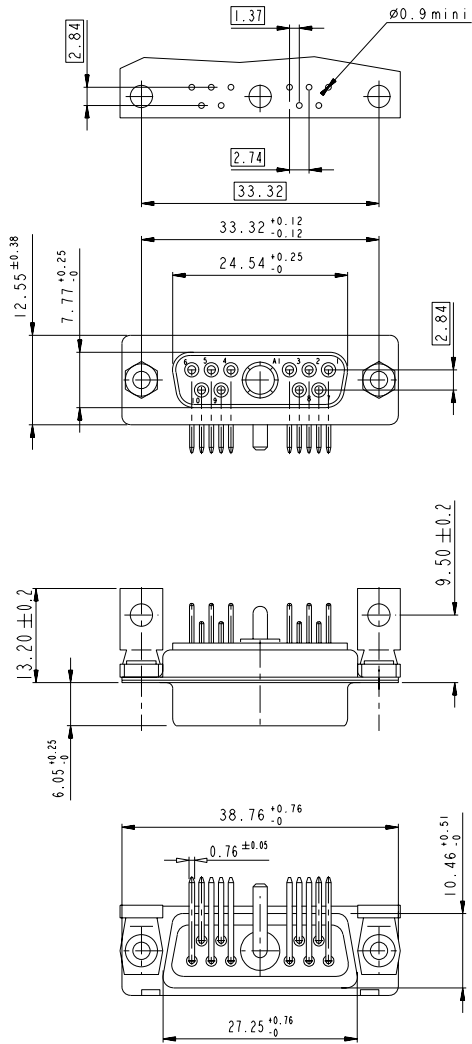


Copyright FCI.

www.fciconnect.com		surface ISO 1302	tolerance std ISO 406 ISO 1101	projection mm
TOLERANCES UNLESS OTHERWISE SPECIFIED				
Dr	M PESSON	2005-10-11	ANGULAR	size A2
Eng	P LEGARE	2005-10-11	LINEAR	Scale 2:1
Chr			0° ±2°	ECN F09-0092
Appr			Product family	Spec ref

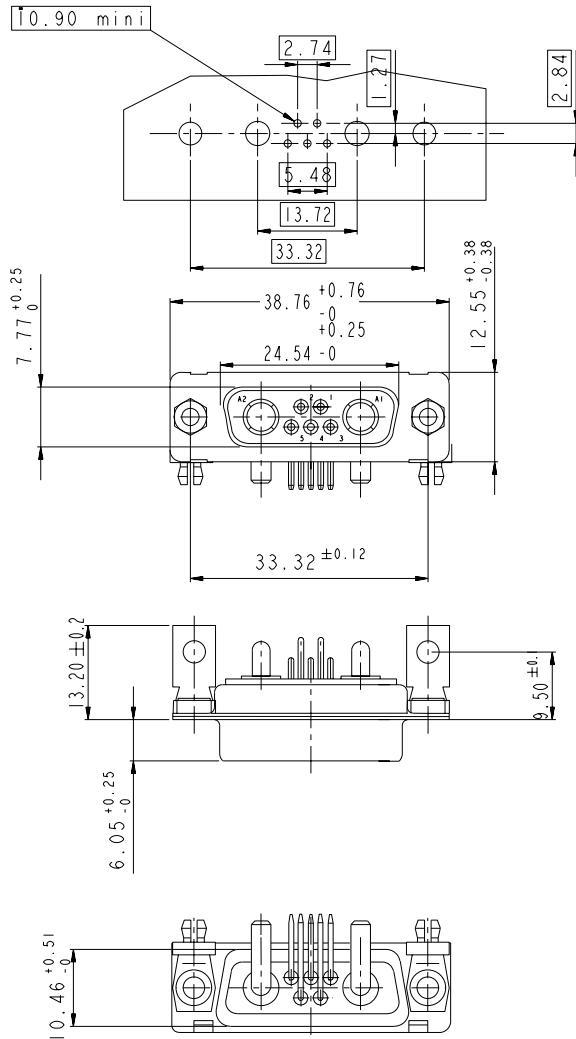
FCI	TITLE SUB FEMALE DW US foot print mixed power right angled solder	Part no C01-8639-2301	Rev. D
------------	--	-----------------------	--------

LAYOUT AND CONNECTOR DIMENSIONS
For PCB hole diameters see table 1 sheet 1

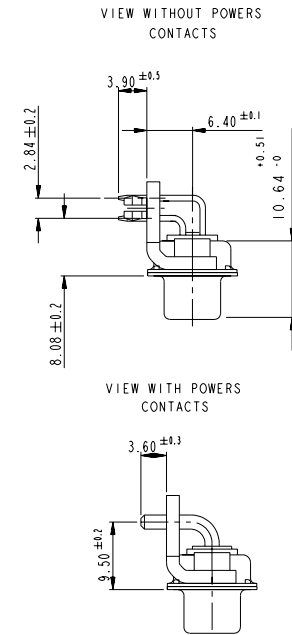


7W2

LAYOUT AND CONNECTOR DIMENSIONS
For PCB hole diameters see table 1 sheet 1



SIDE VIEW FOR ALL LAYOUTS



www.fciconnect.com		surface ISO 1302	tolerance std ISO 406 ISO 1101	projection mm
TOLERANCES UNLESS OTHERWISE SPECIFIED				
Dr	M PESSON	2005-10-11	ANGULAR	size A2
Eng	P LEGARE	2005-10-11	LINEAR	Scale 2:1
Chr			0°.XXX	ECN F09-0092
Appr			Product family	Spec ref

FCI	TITLE SUB FEMALE DW US foot print mixed power right angled solder	deg no C01-8639-2301	Rev. D
------------	---	-------------------------	-----------

1

2

3

4

5

6

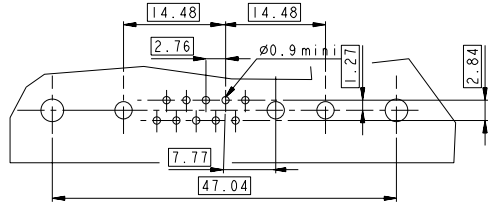
7

8

13W3

LAYOUT AND CONNECTOR DIMENSIONS

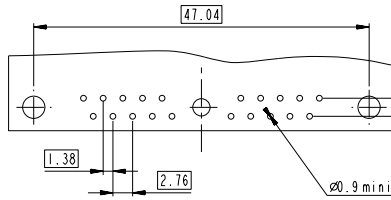
For PCB hole diameters see table 1 sheet 1



21W1

LAYOUT AND CONNECTOR DIMENSIONS

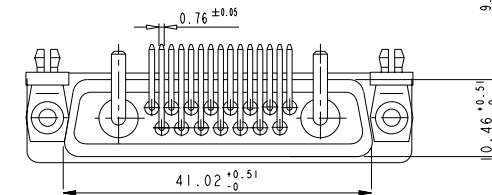
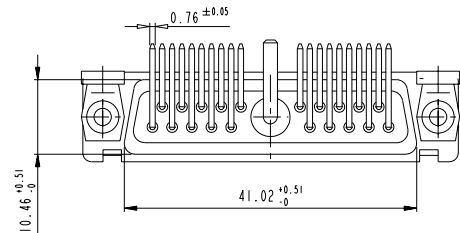
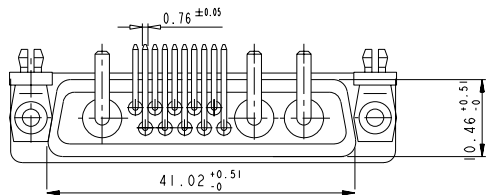
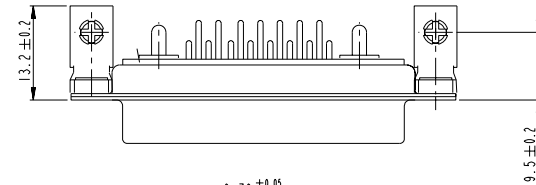
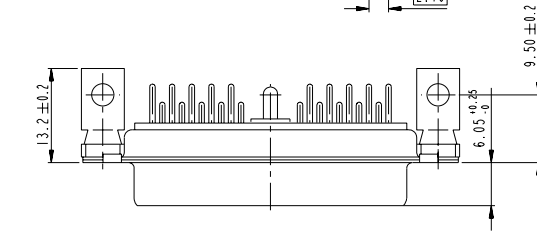
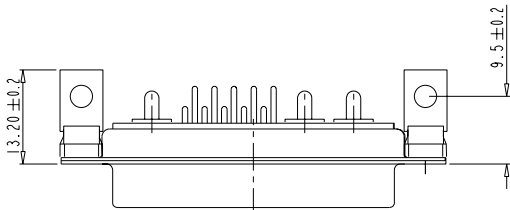
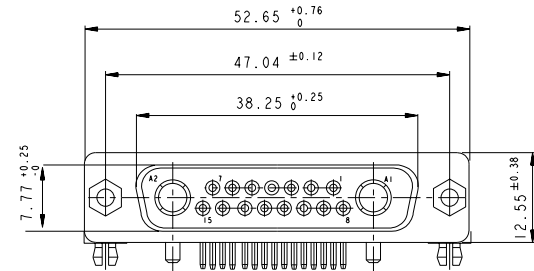
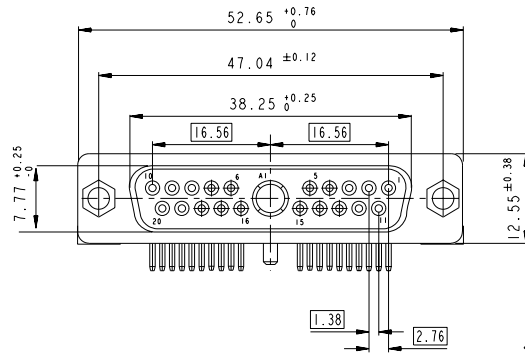
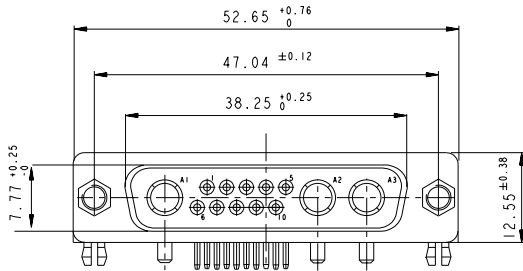
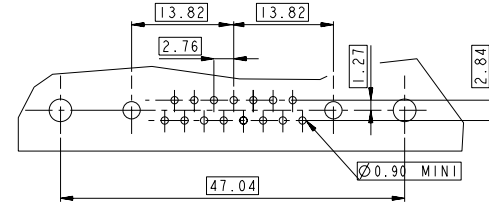
For PCB hole diameters see table 1 sheet 1



17W2

LAYOUT AND CONNECTOR DIMENSIONS

For PCB hole diameters see table 1 sheet 1



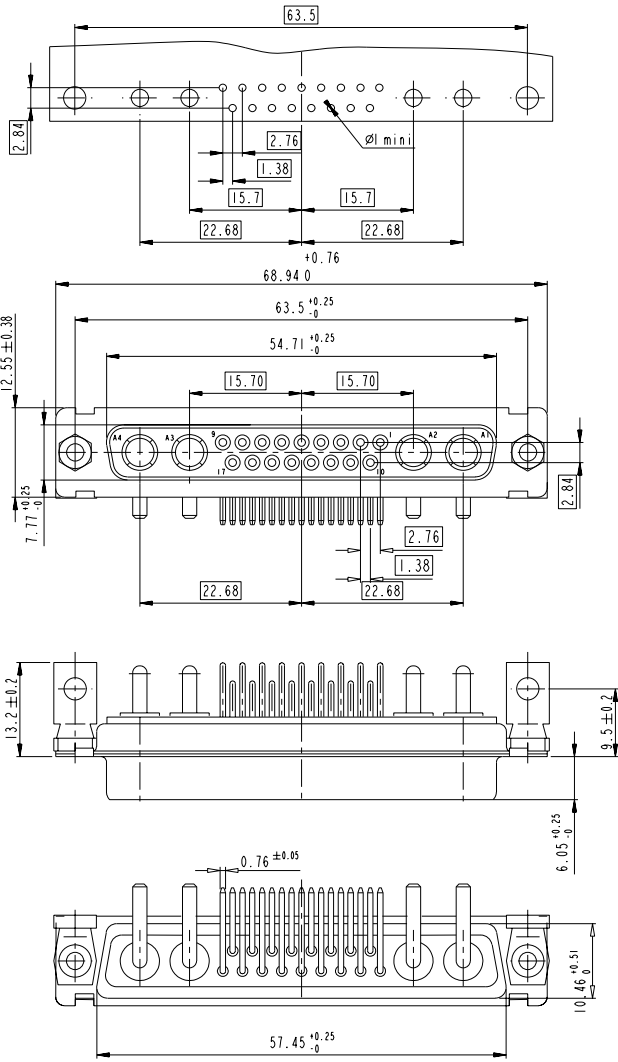
Copyright FCI

www.fciconnect.com		surface ISO 1302	tolerance std ISO 406 ISO 1101	projection	mm
		TOLERANCES UNLESS OTHERWISE SPECIFIED			
Dr	M PESSON	2005-10-11	ANGULAR	size	A2
Eng	P LEGARE	2005-10-11	LINEAR	size	Scale 2:1
Chr			0° ±2°	ECN	F09-0092
Appr			Product family	Spec ref	

FCI	TITLE	SUB FEMALE DW US foot print mixed power right angled solder	Part no	C01-8639-2301	Rev.	D
-----	-------	---	---------	---------------	------	---

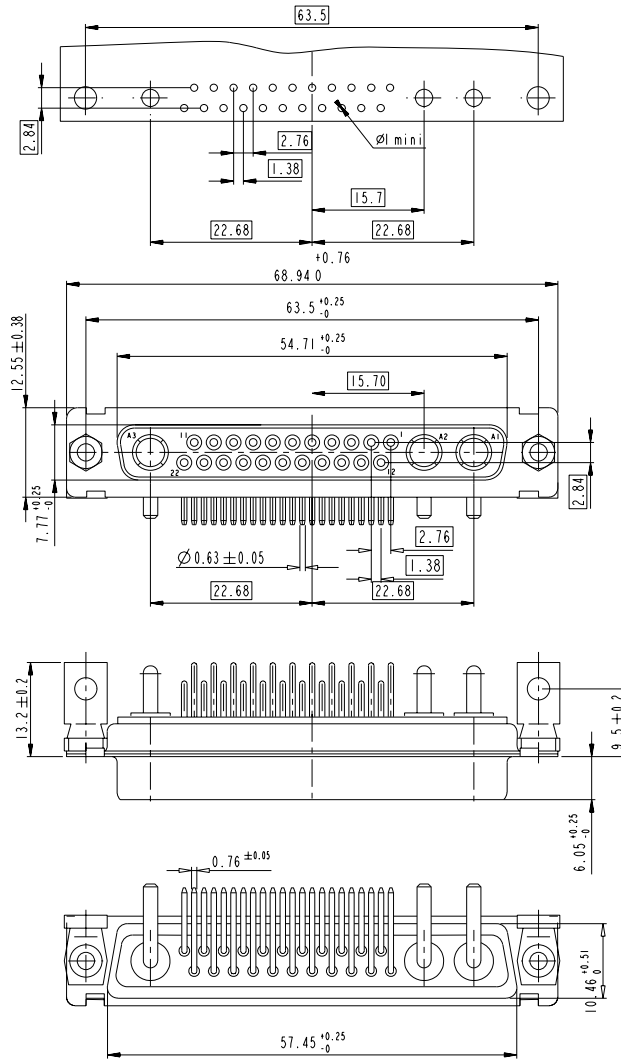
21WA4

LAYOUT AND CONNECTOR DIMENSIONS
For PCB hole diameters see table I sheet 1



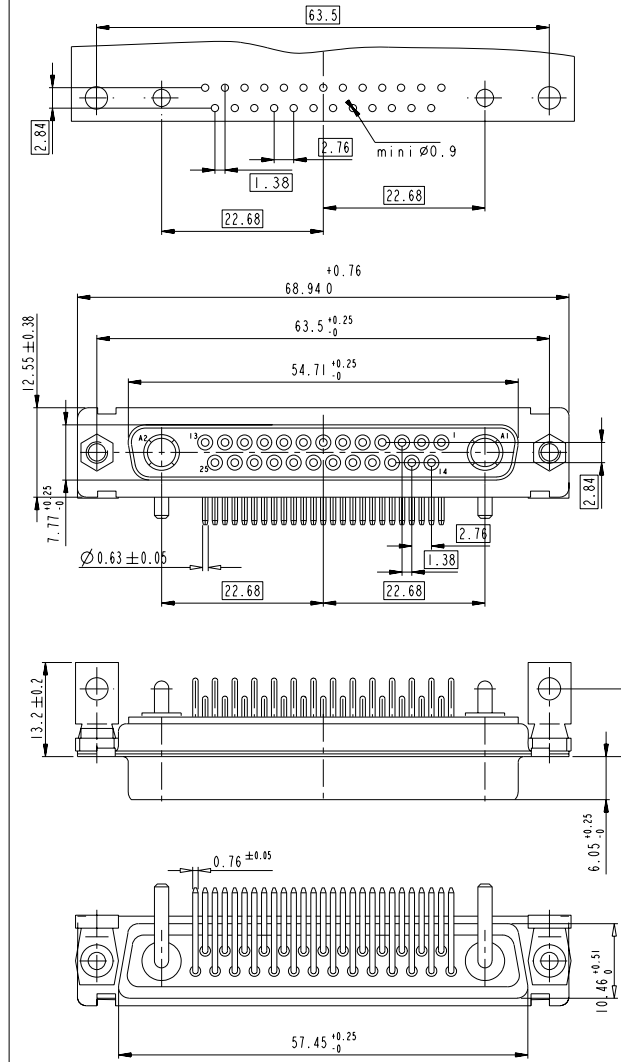
25W3

LAYOUT AND CONNECTOR DIMENSIONS
For PCB hole diameters see table I sheet 1



27W2

LAYOUT AND CONNECTOR DIMENSIONS
For PCB hole diameters see table I sheet 1



www.fciconnect.com		surface ISO 1302	tolerance std ISO 406 ISO 1101	projection mm
TOLERANCES UNLESS OTHERWISE SPECIFIED				
Dr	M PESSON	2005-10-11	ANGULAR	size A2
Eng	P LEGARE	2005-10-11	LINEAR	Scale 2:1
Chr			0° ± 2°	ECN F09-0092
Appr			Product family	Spec ref

FCI	TITLE SUB FEMALE DW US foot print mixed power right angled solder	eng no C01-8639-2301	Rev. D
-----	---	-------------------------	-----------