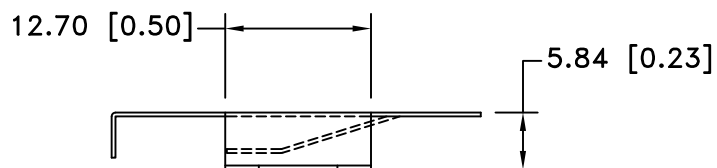
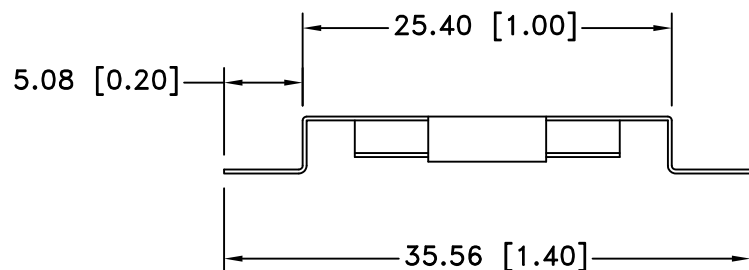
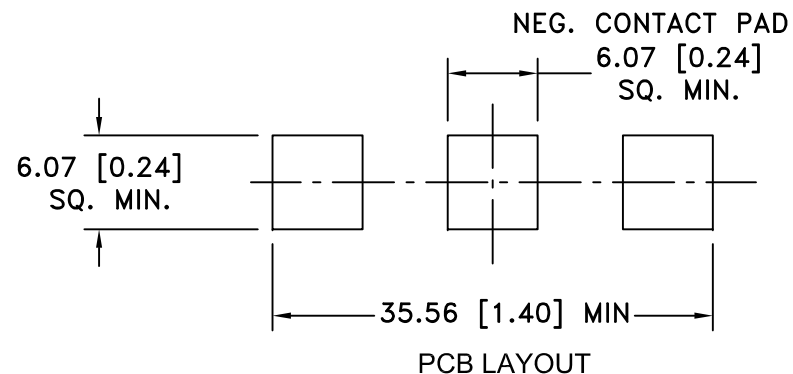
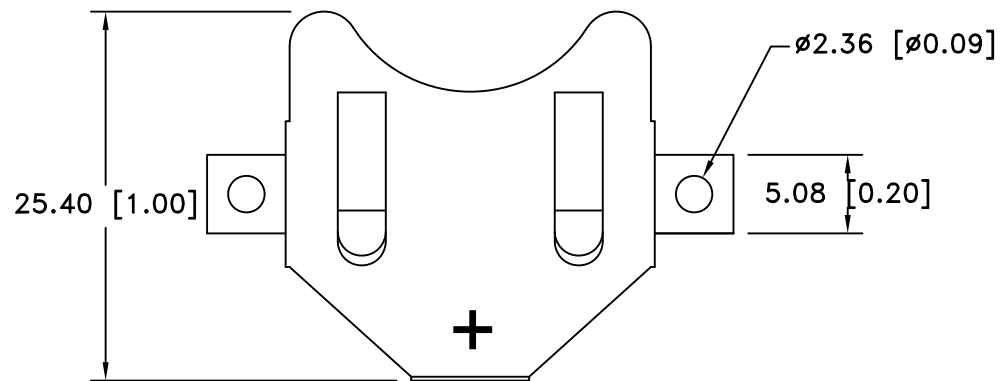



Date	SYM	REVISION RECORD	AUTH	DR.	CK.
9/10/06	A	ADDED "ROHS COMPLIANT"	T.B.	B.S.	
8/01/08	B	ADDED CHAMFER AND RADIUS	T.B.	B.S.	
10/10/08	C	UPDATED PCB LAYOUT	T.B.	B.S.	
11/14/14	D	UPDATED TO ROHS 2 COMPLIANT	T.B.	B.S.	



NOTES:

1. MATERIAL:

0.25mm PHOSPHOR BRONZE, NICKEL PLATED.
ROHS 2 COMPLIANT

Tolerance (Except as noted)	 Memory Protection Devices, Inc 200 Broad Hollow Road, Farmingdale, New York 11735		
decimal ±.5 (.020)	Scale	Drawn By B.S.	
Fractional ±.8 (.030)	Title COIN CELL RETAINER FOR 2450 BATTERIES		
Angular ± 3°	Date 11/14/14	Drawing Number BK-877	

CELL SIZE	RETAINS BATTERY NUMBERS
24mm	CR2450, DL2450