



The following document contains information on Cypress products. Although the document is marked with the name “Spansion” and “Fujitsu”, the company that originally developed the specification, Cypress will continue to offer these products to new and existing customers.

Continuity of Specifications

There is no change to this document as a result of offering the device as a Cypress product. Any changes that have been made are the result of normal document improvements and are noted in the document history page, where supported. Future revisions will occur when appropriate, and changes will be noted in a document history page.

Continuity of Ordering Part Numbers

Cypress continues to support existing part numbers. To order these products, please use only the Ordering Part Numbers listed in this document.

For More Information

Please contact your local sales office for additional information about Cypress products and solutions.

About Cypress

Cypress (NASDAQ: CY) delivers high-performance, high-quality solutions at the heart of today’s most advanced embedded systems, from automotive, industrial and networking platforms to highly interactive consumer and mobile devices. With a broad, differentiated product portfolio that includes NOR flash memories, F-RAM™ and SRAM, Traveo™ microcontrollers, the industry’s only PSoC® programmable system-on-chip solutions, analog and PMIC Power Management ICs, CapSense® capacitive touch-sensing controllers, and Wireless BLE Bluetooth® Low-Energy and USB connectivity solutions, Cypress is committed to providing its customers worldwide with consistent innovation, best-in-class support and exceptional system value.

16-bit Microcontroller

CMOS

F²MC-16LX MB90335 Series

MB90337/F337/V330A

■ DESCRIPTION

The MB90335 series are 16-bit microcontrollers designed for applications, such as personal computer peripheral devices, that require USB communications. The USB feature supports not only 12-Mbps Function operation but also HOST operation. It is equipped with functions that are suitable for personal computer peripheral devices such as displays and audio devices, and control of mobile devices that support USB communications. While inheriting the AT architecture of the F²MC* family, the instruction set supports the C language and extended addressing modes and contains enhanced signed multiplication and division instructions as well as a substantial collection of improved bit manipulation instructions. In addition, long word processing is now available by introducing a 32-bit accumulator.

Note : F²MC is the abbreviation of FUJITSU Flexible Microcontroller.

■ FEATURES

• Clock

- Built-in oscillation circuit and PLL clock frequency multiplication circuit
- Oscillation clock
- The main clock is the oscillation clock divided into 2 (for oscillation 6 MHz : 3 MHz)
- Clock for USB is 48 MHz
- Machine clock frequency of 6 MHz, 12 MHz or 24 MHz selectable
- Minimum execution time of instruction : 41.7 ns (6 MHz oscillation clock, 4-time multiplied : machine clock 24 MHz and at operating $V_{CC} = 3.3$ V)

• The maximum memory space: 16 Mbytes

• 24-bit addressing

• Bank addressing

(Continued)

For the information for microcontroller supports, see the following web site.

This web site includes the "**Customer Design Review Supplement**" which provides the latest cautions on system development and the minimal requirements to be checked to prevent problems before the system development.

<http://edevice.fujitsu.com/micom/en-support/>

MB90335 Series

- **Instruction system**
 - Data types: Bit, Byte, Word, Long word
 - Addressing mode (23 types)
 - Enhanced high-precision computing with 32-bit accumulator
 - Enhanced Multiply/Divide instructions with sign and the RETI instruction
- **Instruction system compatible with high-level language (C language) and multi-task**
 - Employing system stack pointer
 - Instruction set symmetry and barrel shift instructions
- **Program Patch Function (2 address pointer)**
- **4-byte instruction queue**
- **Interrupt function**
 - Priority levels are programmable
 - 20 interrupts function
- **Data transfer function**
 - Extended intelligent I/O service function (EI²OS) : Maximum of 16 channels
 - μ DMAC : Maximum 16 channels
- **Low Power Consumption Mode**
 - Sleep mode (with the CPU operating clock stopped)
 - Time-base timer mode (with the oscillator clock and time-base timer operating)
 - Stop mode (with the oscillator clock stopped)
 - CPU intermittent operation mode (with the CPU operating at fixed intervals of set cycles)
- **Package**
 - LQFP-64P (FPT-64P-M23 : 0.65 mm pin pitch)
- **Process : CMOS technology**
- **Operation guaranteed temperature: – 40 °C to + 85 °C (0 °C to + 70 °C when USB is in use)**

(Continued)

(Continued)

• **Internal peripheral function (resource)**

- I/O port : Max 45 ports
- Time-base timer : 1 channel
- Watchdog timer : 1 channel
- 16-bit reload timer : 1 channel
- Multi-functional timer
 - 8/16-bit PPG timer (8-bit \times 4 channels or 16-bit \times 2 channels) the period and duty of the output pulse are freely programmable.
 - 16-bit PWC timer : 1 channel
Timer function and pulse width measurement function
- UART: 2 channels
 - Equipped with a full duplex (8-bit long) double buffer
 - Selectable asynchronous transfer or clock-synchronous serial (extended I/O serial) transfer.
- Extended I/O serial interface : 1 channel
- DTP/External interrupt circuit (8 channels)
 - Activate the extended intelligent I/O service by external interrupt input
 - Interrupt output by external interrupt input
- Delayed interrupt output module
 - Outputs an interrupt request for task switching
- USB: 1 channel
 - USB function (supports USB Full Speed)
 - Supports Full Speed/Up to 6 endpoints can be specified.
 - Dual port RAM (supports FIFO mode).
 - Transfer type: Control, Interrupt, Bulk or Isochronous transfer possible
 - USB HOST function
- I²C Interface: 1 channel
 - Supports Intel SM bus standards and Phillips I²C bus standards
 - Two-wire data transfer protocol specification
 - Master and slave transmission/reception

MB90335 Series

■ PRODUCT LINEUP

Part number	MB90V330A	MB90F337	MB90337
Type	For evaluation	Built-in Flash Memory	Built-in MASK ROM
ROM capacity	No	64 Kbytes	
RAM capacity	28 Kbytes	4 Kbytes	
Emulator-specific power supply *	Used bit	—	
CPU functions	Number of basic instructions : 351 instructions Minimum instruction execution time : 41.7 ns / at oscillation of 6 MHz (When 4 times are used : Machine clock of 24 MHz) Addressing type : 23 types Program Patch Function : For 2 address pointers Maximum memory space : 16 Mbytes		
Ports	I/O Ports(CMOS) Max 45 ports		
UART	Equipped with full-duplex double buffer Clock synchronous or asynchronous operation selectable. It can also be used for I/O serial. Built-in special baud-rate generator Built-in 2 channels		
16-bit reload timer	16-bit reload timer operation Built-in 1 channel		
Multi-functional timer	8/16-bit PPG timer (8-bit mode × 4 channels, 16-bit mode × 2 channels) 16-bit PWC timer × 1 channel		
DTP/External interrupt	8 channels Interrupt factor : “L”→“H” edge /“H”→“L” edge /“L” level /“H” level selectable		
I ² C	1 channel		
Extended I/O serial interface	1 channel		
USB	1 channel USB function (supports USB Full Speed) USB HOST function		
Withstand voltage of 5 V	8 ports (Excluding UTEST and I/O for I ² C)		
Low Power Consumption Mode	Sleep mode/Timebase timer mode/Stop mode/CPU intermittent mode		
Process	CMOS		
Operating voltage V _{CC}	3.3 V ± 0.3 V (at maximum machine clock 24 MHz)		

* : It is setting of Jumper switch (TOOL VCC) when Emulator (MB2147-01) is used. Please refer to the MB2147-01 or MB2147-20 hardware manual (3.3 Emulator-dedicated Power Supply Switching) about details.

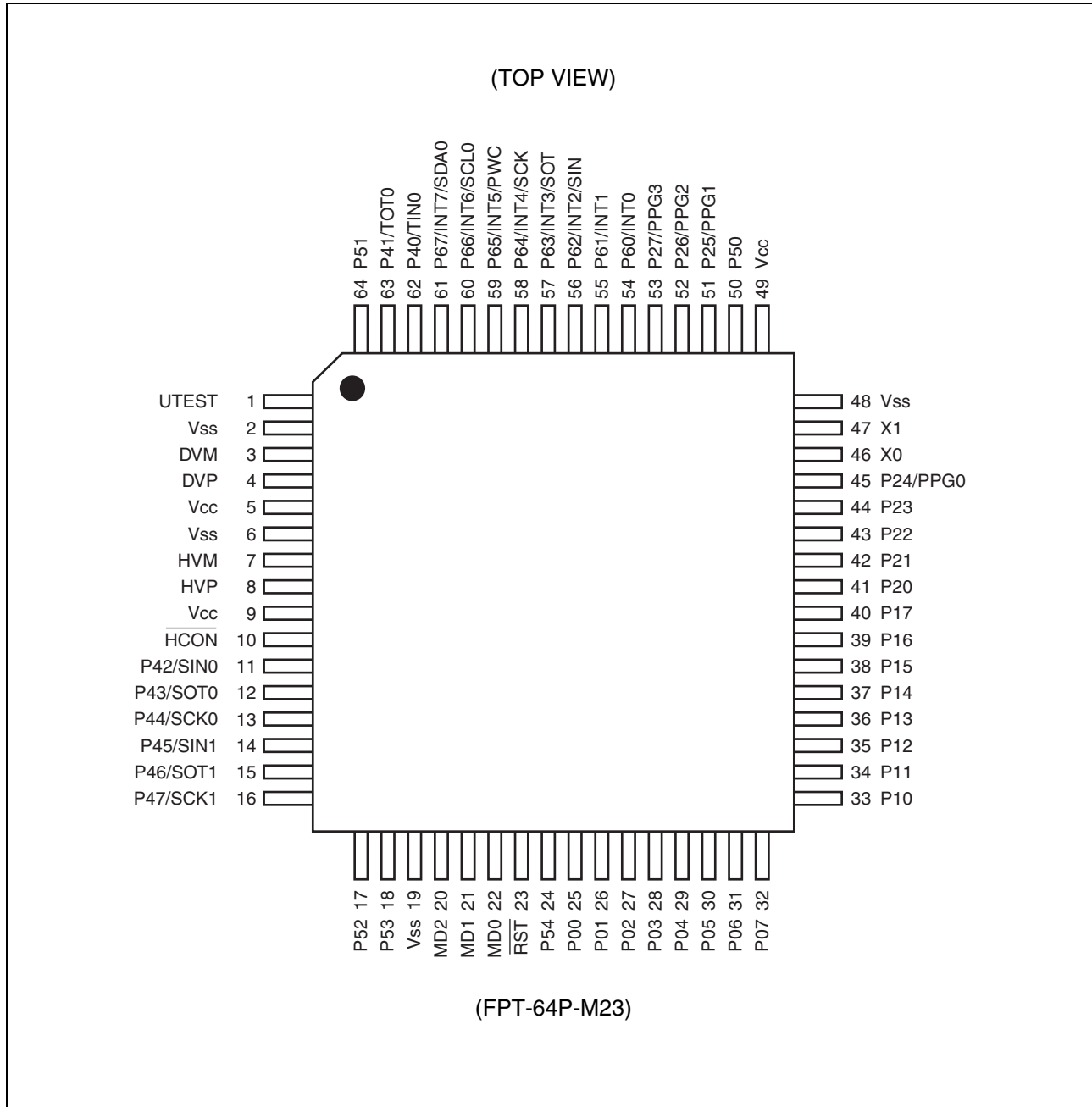
■ PACKAGES AND PRODUCT MODELS

Package	MB90337	MB90F337	MB90V330A
FPT-64P-M23 (LQFP)	○	○	×
PGA-299C-A01 (PGA)	×	×	○

○ : Yes × : No

Note : See “■ PACKAGE DIMENSIONS” for details.

■ PIN ASSIGNMENT



MB90335 Series

■ PIN DESCRIPTION

Pin no.	Pin name	I/O Circuit type*	Status at reset/function	Function
46 , 47	X0, X1	A	Oscillation status	It is a terminal which connects the oscillator. When connecting an external clock, leave the X1 pin side unconnected.
23	$\overline{\text{RST}}$	F	Reset input	External reset input pin.
25 to 32	P00 to P07	I	Port input (Hi-Z)	General purpose input/output port. The ports can be set to be added with a pull-up resistor (RD00 to RD07 = 1) by the pull-up resistor setting register (RDR0). (When the power output is set, it is invalid.)
33 to 40	P10 to P17	I		General purpose input/output port. The ports can be set to be added with a pull-up resistor (RD10 to RD17 = 1) by the pull-up resistor setting register (RDR1). (When the power output is set, it is invalid.)
41 to 44	P20 to P23	D		General purpose input/output port.
45	P24	D		General purpose input/output port.
	PPG0			Functions as output pins of PPG timers ch.0.
51 to 53	P25 to P27	D		General purpose input/output port.
	PPG1 to PPG3			Functions as output pins of PPG timers ch.1 to ch.3.
62	P40	H		General purpose input/output port.
	TIN0			Function as event input pin of 16-bit reload timer.
63	P41	H		General purpose input/output port.
	TOT0			Function as output pin of 16-bit reload timer.
11	P42	H		General purpose input/output port.
	SIN0			Functions as a data input pin for UART ch.0.
12	P43	H		General purpose input/output port.
	SOT0			Functions as a data output pin for UART ch.0.
13	P44	H		General purpose input/output port.
	SCK0			Functions as a clock I/O pin for UART ch.0.
14	P45	H		General purpose input/output port.
	SIN1			Functions as a data input pin for UART ch.1.
15	P46	H		General purpose input/output port.
	SOT1		Functions as a data output pin for UART ch.1.	
16	P47	H	General purpose input/output port.	
	SCK1		Functions as a clock I/O pin for UART ch.1.	
50	P50	K	General purpose input/output port.	
64	P51	K	General purpose input/output port.	
17, 18	P52, P53	K	General purpose input/output port.	
24	P54	K	General purpose input/output port.	

(Continued)

(Continued)

Pin no.	Pin name	I/O Circuit type*	Status at reset/function	Function
54, 55	P60, P61	C	Port input (Hi-Z)	General purpose input/output port (withstand voltage of 5 V) .
	INT0, INT1			Functions as the input pin for external interrupt ch.0 and ch.1.
56	P62	C		General purpose input/output port (withstand voltage of 5 V) .
	INT2			Functions as the input pin for external interrupt ch.2.
	SIN			Data input pin for extended I/O serial interface.
57	P63	C		General purpose input/output port (withstand voltage of 5 V) .
	INT3			Functions as the input pin for external interrupt ch.3.
	SOT			Data output pin for extended I/O serial interface.
58	P64	C		General purpose input/output port (withstand voltage of 5 V) .
	INT4			Functions as the input pin for external interrupt ch.4.
	SCK			Clock I/O pin for extended I/O serial interface.
59	P65	C		General purpose input/output port (withstand voltage of 5 V) .
	INT5			Functions as the input pin for external interrupt ch.5.
	PWC			Functions as the PWC input pin.
60	P66	C		General purpose input/output port (withstand voltage of 5 V) .
	INT6			Functions as the input pin for external interrupt ch.6.
	SCL0			Functions as the input/output pin for I ² C interface clock. The port output must be placed in Hi-Z state during I ² C interface operation.
61	P67	C		General purpose input/output port (withstand voltage of 5 V) .
	INT7			Functions as the input pin for external interrupt ch.7.
	SDA0			Functions as the I ² C interface data input/output pin. The port output must be placed in Hi-Z state during I ² C interface operation.
1	UTEST	C	UTEST input	USB test pin. Connect this to a pull-down resistor during normal usage.
3	DVM	J	USB input (SUSPEND)	USB function D – pin.
4	DVP	J		USB function D + pin.
7	HVM	J		USB HOST D – pin.
8	HVP	J		USB HOST D + pin.
10	HCON	E	High output	External pull-up resistor connection pin.
21, 22	MD1, MD0	B	Mode input	Input pin for selecting operation mode.
20	MD2	G		
5, 9, 49	Vcc	—	Power supply	Power supply pin.
2, 6, 19, 48	Vss			Power supply pin (GND).

* : For circuit information, refer to “■ I/O CIRCUIT TYPE”.

MB90335 Series

■ I/O CIRCUIT TYPE

Type	Circuit	Remarks
A		<ul style="list-style-type: none"> • Oscillation feedback resistor of approx. 1 MΩ • With standby control
B		CMOS hysteresis input
C		<ul style="list-style-type: none"> • CMOS hysteresis input • N-ch open drain output
D		<ul style="list-style-type: none"> • CMOS output • CMOS hysteresis input (With input interception function at standby) <p>Notes :</p> <ul style="list-style-type: none"> • Share one output buffer because both output of I/O port and internal resource are used. • Share one input buffer because both input of I/O port and internal resource are used.
E		CMOS output
F		CMOS hysteresis input with pull-up resistor of approx. 50 k Ω
G		<ul style="list-style-type: none"> • CMOS hysteresis input with pull-down resistor of approx. 50 kΩ • Flash product is not provided with pull-down resistor.

(Continued)

(Continued)

Type	Circuit	Remarks
H		<ul style="list-style-type: none"> • CMOS output • CMOS hysteresis input (With input interception function at standby) With open drain control signal
I		<ul style="list-style-type: none"> • CMOS output • CMOS input (With input interception function at standby) • Programmable input pull-up resistor
J		<p>USB I/O pin</p>
K		<ul style="list-style-type: none"> • CMOS output • CMOS input (With input interception function at standby)

■ HANDLING DEVICES

1. Preventing latch-up and turning on power supply

latch-up may occur on CMOS IC under the following conditions:

- If a voltage higher than V_{CC} or lower than V_{SS} is applied to input and output pins.
- A voltage higher than the rated voltage is applied between V_{CC} and V_{SS} .

When latch-up occurs, power supply current increases rapidly and might thermally damage elements. When using CMOS IC, take great care to prevent the occurrence of latch-up.

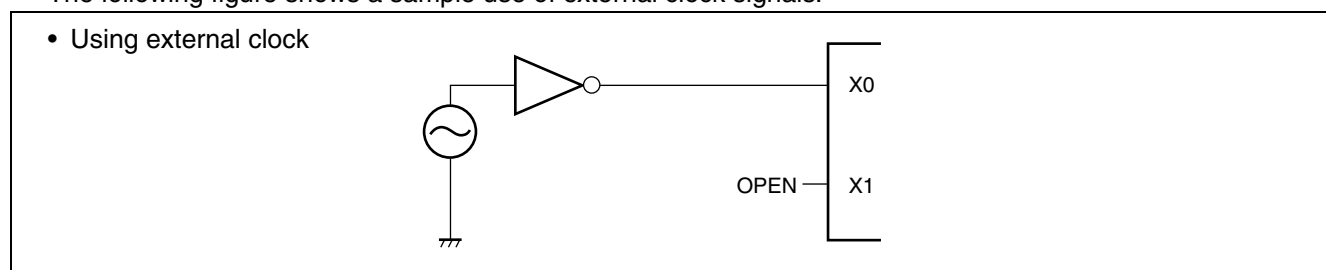
2. Treatment of unused pins

Leaving unused input pins unconnected can cause abnormal operation or latch-up, leading to permanent damage. Unused input pins should always be pulled up or down through resistance of at least 2 k Ω . Any unused input/output pins may be set to output mode and left open, or set to input mode and treated the same as unused input pins. If there is unused output pin, make it to open.

3. About the attention when the external clock is used

Even when using an external clock signal, an oscillation stabilization delay is applied after a power-on reset or when recovering from sub-clock or stop mode. When using an external clock, 25 MHz should be the upper frequency limit.

The following figure shows a sample use of external clock signals.



4. Treatment of power supply pins (V_{CC}/V_{SS})

In products with multiple V_{CC} or V_{SS} pins, the pins of the same potential are internally connected in the device to avoid abnormal operations including latch-up. However, you must connect the pins to external power supply and a ground line to lower the electro-magnetic emission level, to prevent abnormal operation of strobe signals caused by the rise in the ground level, and to conform to the total output current rating.

Moreover, connect the current supply source with the V_{CC} and V_{SS} pins of this device at the low impedance.

It is also advisable to connect a ceramic bypass capacitor of approximately 0.1 μF between V_{CC} and V_{SS} pins near this device.

5. About crystal oscillator circuit

Noise near the X0 and X1 pins may cause the device to malfunction. Design the printed circuit board so that X0, X1, the crystal oscillator (or ceramic oscillator), and the bypass capacitor to ground are located as close to the device as possible.

It is strongly recommended to design the PC board artwork with the X0 and X1 pins surrounded by ground plane because stable operation can be expected with such a layout.

Please ask the crystal maker to evaluate the oscillational characteristics of the crystal and this device.

6. Caution on Operations during PLL Clock Mode

On this microcontroller, if in case the crystal oscillator breaks off or an external reference clock input stops while the PLL clock mode is selected, a self-oscillator circuit contained in the PLL may continue its operation at its self-running frequency. However, Fujitsu will not guarantee results of operations if such failure occurs.

7. Stabilization of supply voltage

A sudden change in the supply voltage may cause the device to malfunction even within the V_{CC} supply voltage operating range. For stabilization reference, the supply voltage should be stabilized so that V_{CC} ripple variations (peak-to-peak value) at commercial frequencies (50 MHz to 60 MHz) fall below 10% of the standard V_{CC} supply voltage and the transient regulation does not exceed 0.1 V/ms at temporary changes such as power supply switching.

8. Writing to flash memory

For serial writing to flash memory, always make sure that the operating voltage V_{CC} is between 3.13 V and 3.6 V.

For normal writing to flash memory, always make sure that the operating voltage V_{CC} is between 3.0 V and 3.6 V.

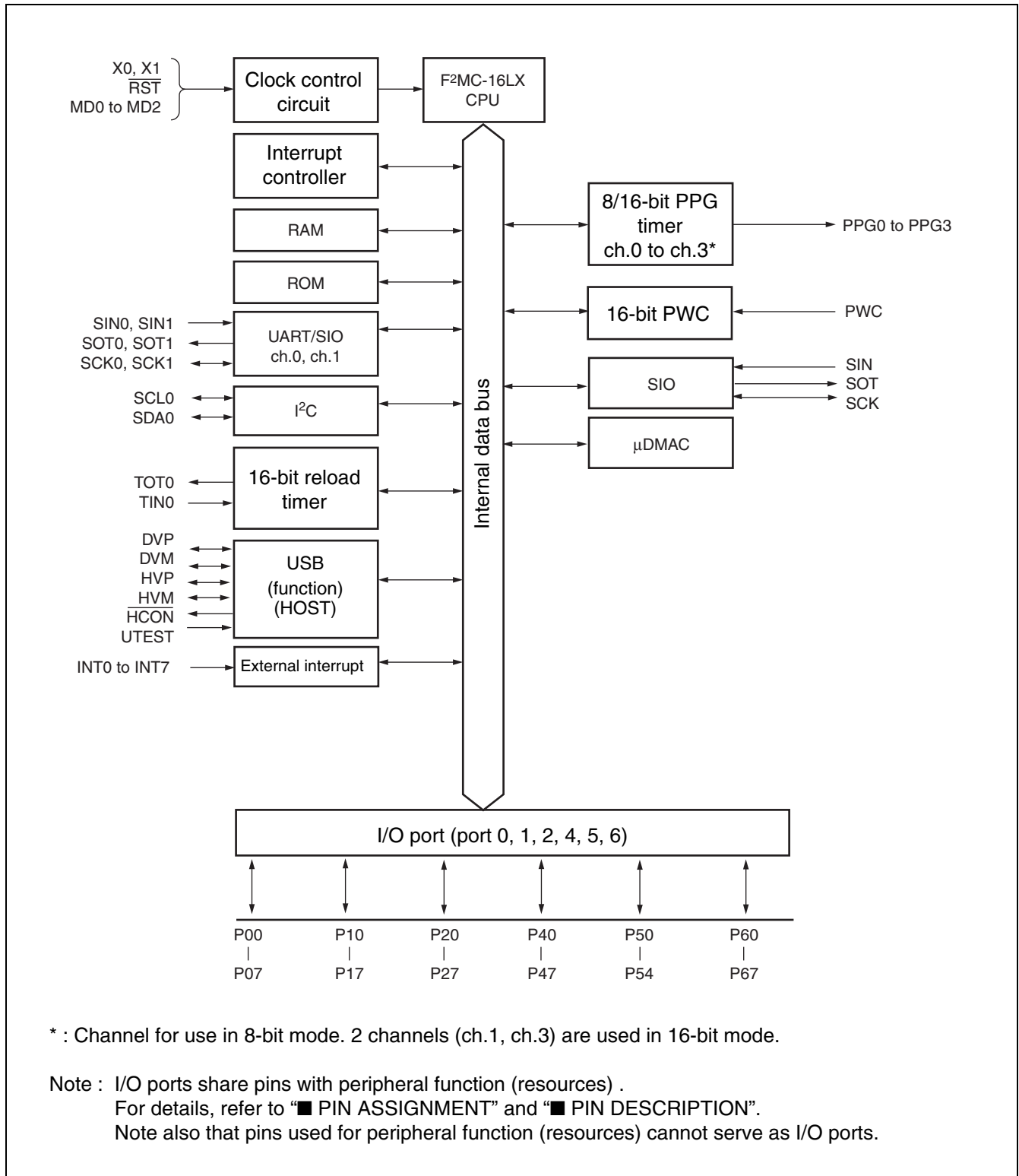
9. Serial communication

There is a possibility to receive wrong data due to noise or other causes on the serial communication. Therefore, design a printed circuit board so as to avoid noise.

Consider receiving of wrong data when designing the system. For example, apply a checksum to detect an error. If an error is detected, retransmit the data.

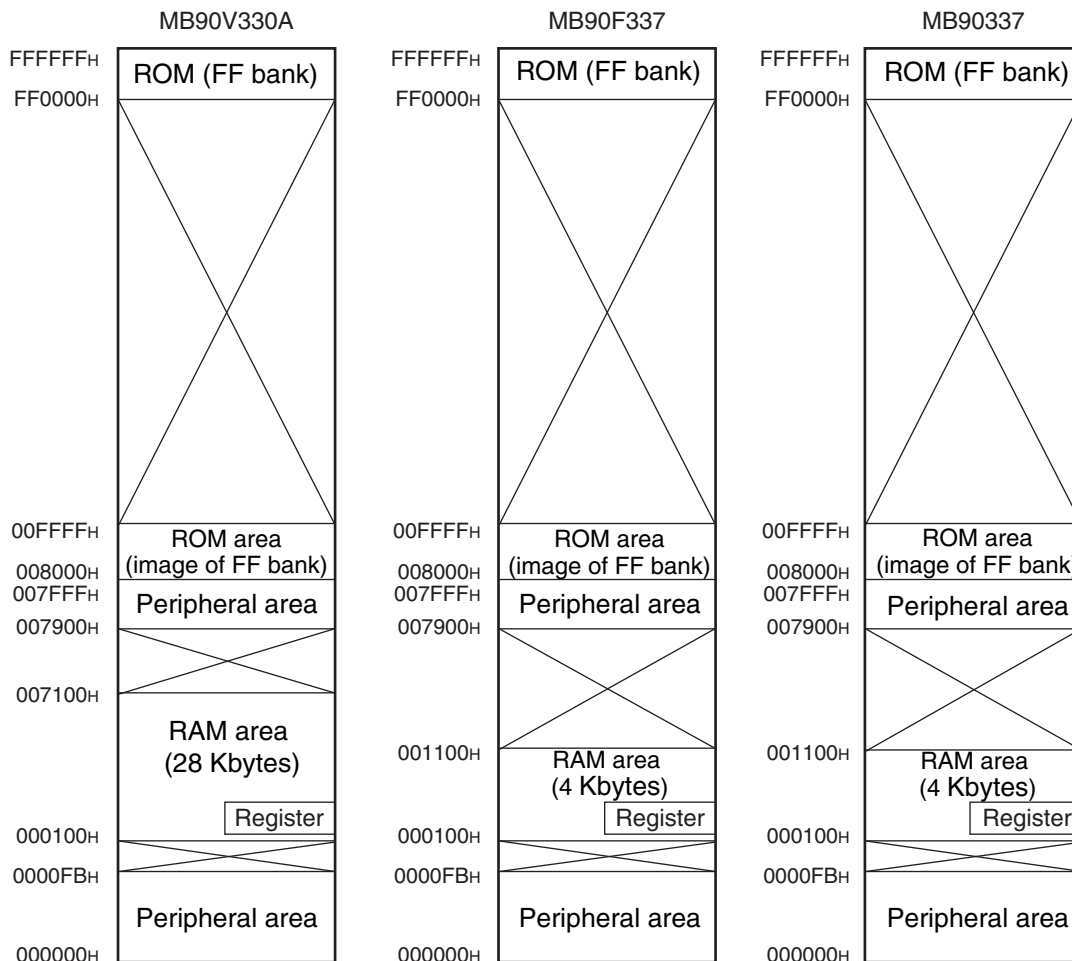
MB90335 Series

■ BLOCK DIAGRAM



MEMORY MAP

Single chip mode (with ROM mirror function)

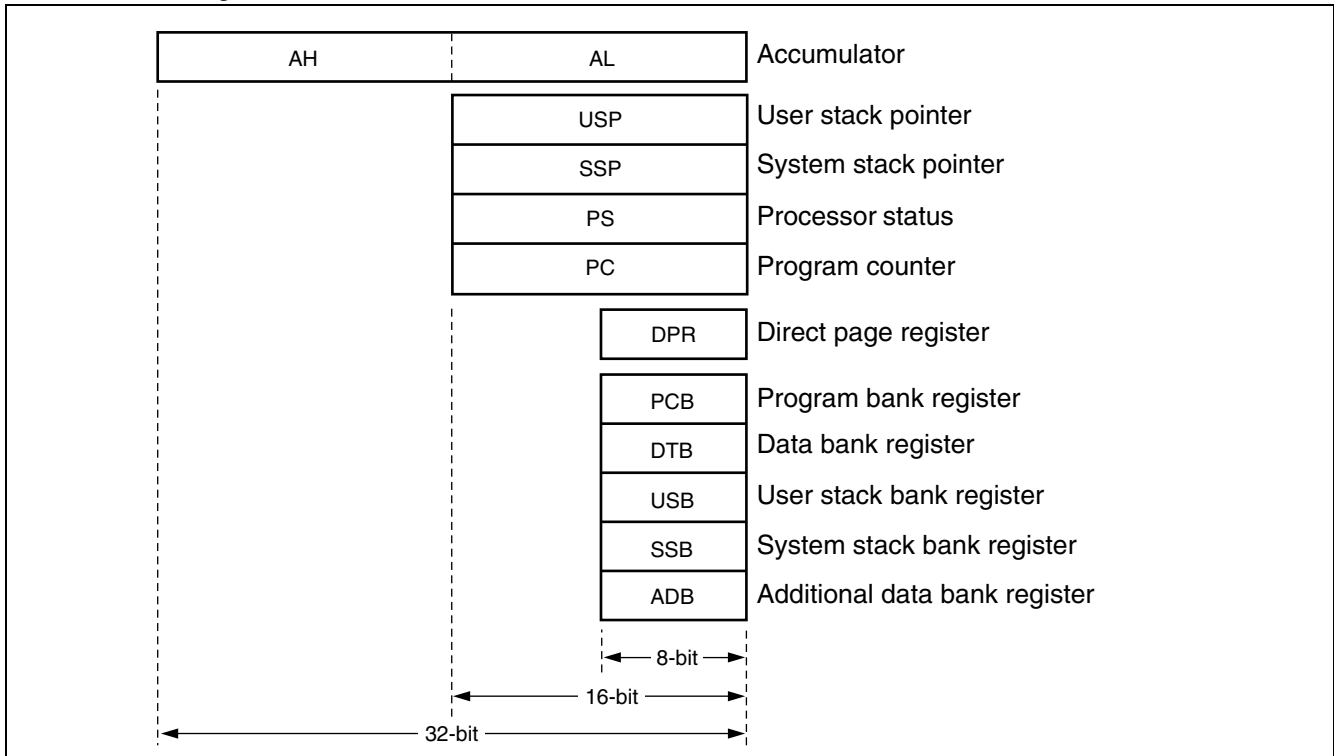


- Notes :
- When the ROM mirror function register has been set, the mirror image data at higher addresses (“FF8000_H to FFFFFFF_H”) of bank FF is visible from the higher addresses (“008000_H to 00FFFF_H”) of bank 00.
 - The ROM mirror function is effective for using the C compiler small model.
 - The lower 16-bit addresses of bank FF are equivalent to those of bank 00. Since the ROM area in bank FF exceeds 48 Kbytes, however, the mirror image of all the data in the ROM area cannot be reproduced in bank 00.
 - When the C compiler small model is used, the data table mirror image can be shown at “008000_H to 00FFFF_H” by storing the data table at “FF8000_H to FFFFFFF_H”. Therefore, data tables in the ROM area can be referred without declaring the far addressing with the pointer.

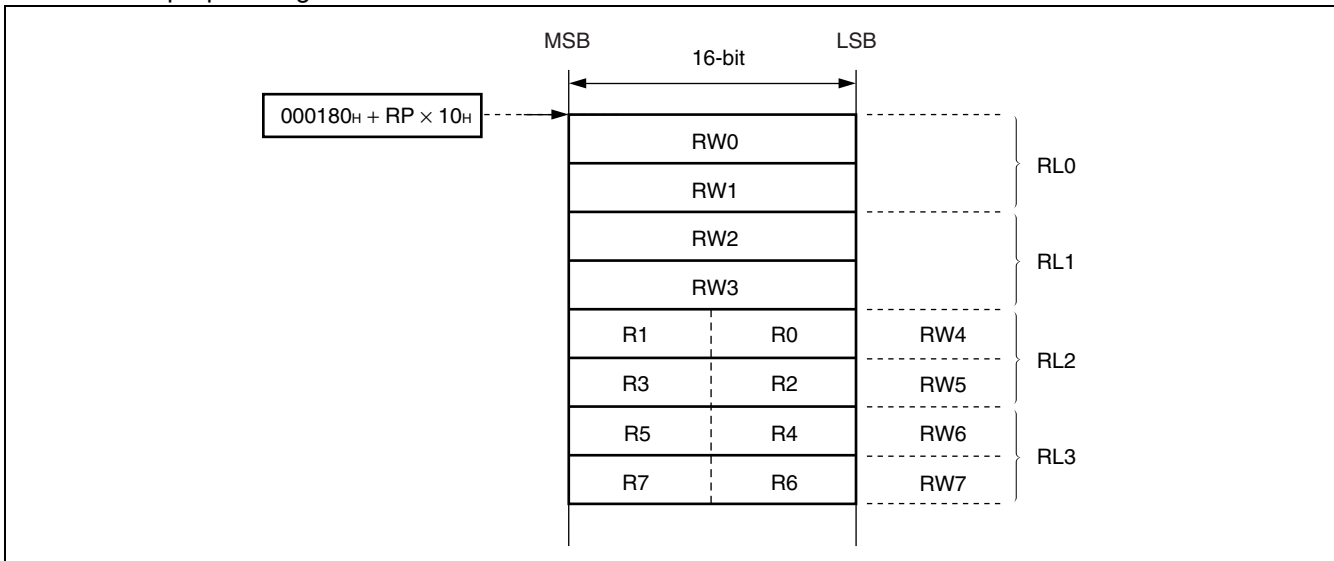
MB90335 Series

■ F²MC-16L CPU PROGRAMMING MODEL

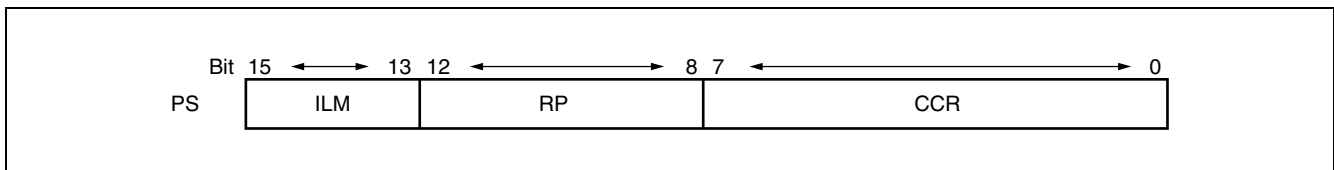
- Dedicated register



- General purpose registers



- Processor status



■ I/O MAP

Address	Register abbreviation	Register	Read/Write	Resource name	Initial Value
00000H	PDR0	Port 0 Data Register	R/W	Port 0	XXXXXXXX _B
00001H	PDR1	Port 1 Data Register	R/W	Port 1	XXXXXXXX _B
00002H	PDR2	Port 2 Data Register	R/W	Port 2	XXXXXXXX _B
00003H	Prohibited				
00004H	PDR4	Port 4 Data Register	R/W	Port 4	XXXXXXXX _B
00005H	PDR5	Port 5 Data Register	R/W	Port 5	- - - XXXXX _B
00006H	PDR6	Port 6 Data Register	R/W	Port 6	XXXXXXXX _B
00007H to 0000FH	Prohibited				
00010H	DDR0	Port 0 Direction Register	R/W	Port 0	0 0 0 0 0 0 0 0 _B
00011H	DDR1	Port 1 Direction Register	R/W	Port 1	0 0 0 0 0 0 0 0 _B
00012H	DDR2	Port 2 Direction Register	R/W	Port 2	0 0 0 0 0 0 0 0 _B
00013H	Prohibited				
00014H	DDR4	Port 4 Direction Register	R/W	Port 4	0 0 0 0 0 0 0 0 _B
00015H	DDR5	Port 5 Direction Register	R/W	Port 5	- - - 0 0 0 0 0 _B
00016H	DDR6	Port 6 Direction Register	R/W	Port 6	0 0 0 0 0 0 0 0 _B
00017H to 0001AH	Prohibited				
0001BH	ODR4	Port 4 Output Pin Register	R/W	Port 4 (Open-drain control)	0 0 0 0 0 0 0 0 _B
0001CH	RDR0	Port 0 Pull-up Resistance Register	R/W	Port 0 (PULL-UP)	0 0 0 0 0 0 0 0 _B
0001DH	RDR1	Port 1 Pull-up Resistance Register	R/W	Port 1 (PULL-UP)	0 0 0 0 0 0 0 0 _B
0001EH 0001FH	Prohibited				
00020H	SMR0	Serial Mode Register 0	R/W	UART0	0 0 1 0 0 0 0 0 _B
00021H	SCR0	Serial Control Register 0	R/W		0 0 0 0 0 1 0 0 _B
00022H	SIDR0	Serial Input Data Register 0	R		XXXXXXXX _B
	SODR0	Serial Output Data Register 0	W		
00023H	SSR0	Serial Status Register 0	R/W		0 0 0 0 1 0 0 0 _B
00024H	UTLRO	UART Prescaler Reload Register 0	R/W	Communication Prescaler (UART0)	0 0 0 0 0 0 0 0 _B
00025H	UTCRO	UART Prescaler Control Register 0	R/W		0 0 0 0 - 0 0 0 _B
00026H	SMR1	Serial Mode Register 1	R/W	UART1	0 0 1 0 0 0 0 0 _B
00027H	SCR1	Serial Control Register 1	R/W		0 0 0 0 0 1 0 0 _B
00028H	SIDR1	Serial Input Data Register 1	R		XXXXXXXX _B
	SODR1	Serial Output Data Register 1	W		
00029H	SSR1	Serial Status Register 1	R/W		0 0 0 0 1 0 0 0 _B

(Continued)

MB90335 Series

Address	Register abbreviation	Register	Read/Write	Resource name	Initial Value
00002A _H	UTRLR1	UART Prescaler Reload Register 1	R/W	Communication	0 0 0 0 0 0 0 0 _B
00002B _H	UTCR1	UART Prescaler Control Register 1	R/W	Prescaler (UART1)	0 0 0 0 - 0 0 0 _B
00002C _H to 00003B _H	Prohibited				
00003C _H	ENIR	DTP/Interrupt Enable Register	R/W	DTP/External interrupt	0 0 0 0 0 0 0 0 _B
00003D _H	EIRR	DTP/Interrupt source Register	R/W		0 0 0 0 0 0 0 0 _B
00003E _H	ELVR	Request Level Setting Register Lower	R/W		0 0 0 0 0 0 0 0 _B
00003F _H		Request Level Setting Register Upper	R/W		0 0 0 0 0 0 0 0 _B
000040 _H to 000045 _H	Prohibited				
000046 _H	PPGC0	PPG0 Operation Mode Control Register	R/W	PPG ch.0	0X0 0 0XX1 _B
000047 _H	PPGC1	PPG1 Operation Mode Control Register	R/W	PPG ch.1	0X0 0 0 0 0 1 _B
000048 _H	PPGC2	PPG2 Operation Mode Control Register	R/W	PPG ch.2	0X0 0 0XX1 _B
000049 _H	PPGC3	PPG3 Operation Mode Control Register	R/W	PPG ch.3	0X0 0 0 0 0 1 _B
00004A _H 00004B _H	Prohibited				
00004C _H	PPG01	PPG0 and PPG1 Output Control Register	R/W	PPG ch.0/ch.1	0 0 0 0 0 0XX _B
00004D _H	Prohibited				
00004E _H	PPG23	PPG2 and PPG3 Output Control Register	R/W	PPG ch.2/ch.3	0 0 0 0 0 0 XX _B
00004F _H to 000057 _H	Prohibited				
000058 _H	SMCS	Serial Mode Control Status Register	R/W	Extended Serial I/O	XXXX0 0 0 0 _B
000059 _H			0 0 0 0 0 0 1 0 _B		
00005A _H	SDR	Serial Data Register	R/W		XXXXXXXX _B
00005B _H	SDCR	Communication Prescaler Control Register	R/W	Communication Prescaler	0XXX0 0 0 0 _B
00005C _H	PWCSR	PWC Control Status Register	R/W	16-bit PWC Timer	0 0 0 0 0 0 0 0 _B
00005D _H			0 0 0 0 0 0 0 X _B		
00005E _H	PWCR	PWC Data Buffer Register	R/W		0 0 0 0 0 0 0 0 _B
00005F _H			0 0 0 0 0 0 0 0 _B		
000060 _H	DIVR	PWC Dividing Ratio Control Register	R/W		----- 0 0 _B
000061 _H	Prohibited				
000062 _H	TMCSR0	Timer Control Status Register	R/W	16-bit Reload Timer	0 0 0 0 0 0 0 0 _B
000063 _H			XXXX 0 0 0 0 _B		
000064 _H	TMR0	16-bit Timer Register Lower	R		XXXXXXXX _B
	TMRLR0	16-bit Reload Register Lower	W		XXXXXXXX _B
000065 _H	TMR0	16-bit Timer Register Upper	R		XXXXXXXX _B
	TMRLR0	16-bit Reload Register Upper	W		XXXXXXXX _B

(Continued)

MB90335 Series

Address	Register abbreviation	Register	Read/Write	Resource name	Initial Value
000066 _H to 00006E _H	Prohibited				
00006F _H	ROMM	ROM Mirroring Function Selection Register	W	ROM Mirror Function Selection Module	----- 1 1 _B
000070 _H	IBSR0	I ² C Bus Status Register	R	I ² C Bus Interface	0 0 0 0 0 0 0 0 _B
000071 _H	IBCR0	I ² C Bus Control Register	R/W		0 0 0 0 0 0 0 0 _B
000072 _H	ICCR0	I ² C Bus Clock Control Register	R/W		XX 0 XXXXX _B
000073 _H	IADR0	I ² C Bus Address Register	R/W		XXXXXXXX _B
000074 _H	IDAR0	I ² C Bus Data Register	R/W		XXXXXXXX _B
000075 _H to 00009A _H	Prohibited				
00009B _H	DCSR	DMA Descriptor Channel Specification Register	R/W	μDMAC	0 0 0 0 0 0 0 0 _B
00009C _H	DSRL	DMA Status Register Lower	R/W		0 0 0 0 0 0 0 0 _B
00009D _H	DSRH	DMA Status Register Upper	R/W		0 0 0 0 0 0 0 0 _B
00009E _H	PACSR	Program Address Detection Control Status Register	R/W	Address Match Detection	0 0 0 0 0 0 0 0 _B
00009F _H	DIRR	Delayed Interrupt Source generate/release Register	R/W	Delayed Interrupt	----- 0 _B
0000A0 _H	LPMCR	Low Power Consumption Mode Control Register	R/W	Low Power Consumption control circuit	0 0 0 1 1 0 0 0 _B
0000A1 _H	CKSCR	Clock Selection Register	R/W	Clock	1 1 1 1 1 1 0 0 _B
0000A2 _H	Prohibited				
0000A3 _H	Prohibited				
0000A4 _H	DSSR	DMA Stop Status Register	R/W	μDMAC	0 0 0 0 0 0 0 0 _B
0000A5 _H to 0000A7 _H	Prohibited				
0000A8 _H	WDTC	Watchdog Timer Control Register	R/W	Watchdog Timer	X - XXX 1 1 1 _B
0000A9 _H	TBTC	Time-base Timer Control Register	R/W	Time-base Timer	1 - - 0 0 1 0 0 _B
0000AA _H	Prohibited				
0000AB _H	Prohibited				
0000AC _H	DERL	DMA Enable Register Lower	R/W	μDMAC	0 0 0 0 0 0 0 0 _B
0000AD _H	DERH	DMA Enable Register Upper	R/W		0 0 0 0 0 0 0 0 _B
0000AE _H	FMCS	Flash Memory Control Status Register	R/W	Flash Memory I/F	0 0 0 X 0 0 0 0 _B
0000AF _H	Prohibited				

(Continued)

MB90335 Series

Address	Register abbreviation	Register	Read/Write	Resource name	Initial Value
0000B0 _H	ICR00	Interrupt Control Register 00	R/W	Interrupt Controller	0 0 0 0 0 1 1 1 _B
0000B1 _H	ICR01	Interrupt Control Register 01	R/W		0 0 0 0 0 1 1 1 _B
0000B2 _H	ICR02	Interrupt Control Register 02	R/W		0 0 0 0 0 1 1 1 _B
0000B3 _H	ICR03	Interrupt Control Register 03	R/W		0 0 0 0 0 1 1 1 _B
0000B4 _H	ICR04	Interrupt Control Register 04	R/W		0 0 0 0 0 1 1 1 _B
0000B5 _H	ICR05	Interrupt Control Register 05	R/W		0 0 0 0 0 1 1 1 _B
0000B6 _H	ICR06	Interrupt Control Register 06	R/W		0 0 0 0 0 1 1 1 _B
0000B7 _H	ICR07	Interrupt Control Register 07	R/W		0 0 0 0 0 1 1 1 _B
0000B8 _H	ICR08	Interrupt Control Register 08	R/W		0 0 0 0 0 1 1 1 _B
0000B9 _H	ICR09	Interrupt Control Register 09	R/W		0 0 0 0 0 1 1 1 _B
0000BA _H	ICR10	Interrupt Control Register 10	R/W		0 0 0 0 0 1 1 1 _B
0000BB _H	ICR11	Interrupt Control Register 11	R/W		0 0 0 0 0 1 1 1 _B
0000BC _H	ICR12	Interrupt Control Register 12	R/W		0 0 0 0 0 1 1 1 _B
0000BD _H	ICR13	Interrupt Control Register 13	R/W		0 0 0 0 0 1 1 1 _B
0000BE _H	ICR14	Interrupt Control Register 14	R/W		0 0 0 0 0 1 1 1 _B
0000BF _H	ICR15	Interrupt Control Register 15	R/W		0 0 0 0 0 1 1 1 _B
0000C0 _H	HCNT0	Host Control Register 0	R/W	USB HOST	0 0 0 0 0 0 0 0 _B
0000C1 _H	HCNT1	Host Control Register 1	R/W		0 0 0 0 0 0 0 1 _B
0000C2 _H	HIRQ	Host Interruption Register	R/W		0 0 0 0 0 0 0 0 _B
0000C3 _H	HERR	Host Error Status Register	R/W		0 0 0 0 0 0 1 1 _B
0000C4 _H	HSTATE	Host State Status Register	R/W		XX 0 1 0 0 1 0 _B
0000C5 _H	HFCOMP	SOF Interrupt FRAME Compare Register	R/W		0 0 0 0 0 0 0 0 _B
0000C6 _H	HRTIMER	Retry Timer Setting Register	R/W		0 0 0 0 0 0 0 0 _B
0000C7 _H			R/W		0 0 0 0 0 0 0 0 _B
0000C8 _H			R/W		XXXXXX 0 0 _B
0000C9 _H	HADR	Host Address Register	R/W		X 0 0 0 0 0 0 0 _B
0000CA _H	HEOF	EOF Setting Register	R/W		0 0 0 0 0 0 0 0 _B
0000CB _H			R/W		XX 0 0 0 0 0 0 _B
0000CC _H	HFRAME	FRAME Setting Register	R/W		0 0 0 0 0 0 0 0 _B
0000CD _H			R/W		XXXXX 0 0 0 _B
0000CE _H	HOKEN	Host Token End Point Register	R/W	0 0 0 0 0 0 0 0 _B	
0000CF _H	Prohibited				
0000D0 _H	UDCC	UDC Control Register	R/W	USB Function	1 0 1 0 0 0 0 0 _B
0000D1 _H			R/W		0 0 0 0 0 0 0 0 _B

(Continued)

MB90335 Series

Address	Register abbreviation	Register	Read/Write	Resource name	Initial Value
0000D2 _H	EP0C	EP0 Control Register	R/W	USB Function	0 1 0 0 0 0 0 0 _B
0000D3 _H			R/W		XXXX 0 0 0 0 _B
0000D4 _H	EP1C	EP1 Control Register	R/W		0 0 0 0 0 0 0 0 _B
0000D5 _H			R/W		0 1 1 0 0 0 0 1 _B
0000D6 _H	EP2C	EP2 Control Register	R/W		0 1 0 0 0 0 0 0 _B
0000D7 _H			R/W		0 1 1 0 0 0 0 0 _B
0000D8 _H	EP3C	EP3 Control Register	R/W		0 1 0 0 0 0 0 0 _B
0000D9 _H			R/W		0 1 1 0 0 0 0 0 _B
0000DA _H	EP4C	EP4 Control Register	R/W		0 1 0 0 0 0 0 0 _B
0000DB _H			R/W		0 1 1 0 0 0 0 0 _B
0000DC _H	EP5C	EP5 Control Register	R/W		0 1 0 0 0 0 0 0 _B
0000DD _H			R/W		0 1 1 0 0 0 0 0 _B
0000DE _H	TMSP	Time Stamp Register	R		0 0 0 0 0 0 0 0 _B
0000DF _H			R		XXXXXX 0 0 0 _B
0000E0 _H	UDCS	UDC Status Register	R/W		XX 0 0 0 0 0 0 _B
0000E1 _H	UDCIE	UDC Interrupt Enable Register	R/W		0 0 0 0 0 0 0 0 _B
0000E2 _H	EP0IS	EP0I Status Register	R/W		XXXXXXXX _B
0000E3 _H			R/W		1 0 XXX 1 XX _B
0000E4 _H	EP0OS	EP0O Status Register	R/W, R		0 XXXXXXX _B
0000E5 _H			R/W		1 0 0 XX 0 0 0 _B
0000E6 _H	EP1S	EP1 Status Register	R		XXXXXXXX _B
0000E7 _H			R/W		1 0 0 0 0 0 0 X _B
0000E8 _H	EP2S	EP2 Status Register	R		XXXXXXXX _B
0000E9 _H			R/W		1 0 0 0 0 0 0 0 _B
0000EA _H	EP3S	EP3 Status Register	R		XXXXXXXX _B
0000EB _H			R/W		1 0 0 0 0 0 0 0 _B
0000EC _H	EP4S	EP4 Status Register	R		XXXXXXXX _B
0000ED _H			R/W		1 0 0 0 0 0 0 0 _B
0000EE _H	EP5S	EP5 Status Register	R		XXXXXXXX _B
0000EF _H			R/W		1 0 0 0 0 0 0 0 _B
0000F0 _H	EP0DT	EP0 Data Register	R/W		XXXXXXXX _B
0000F1 _H			R/W		XXXXXXXX _B
0000F2 _H	EP1DT	EP1 Data Register	R/W	XXXXXXXX _B	
0000F3 _H			R/W	XXXXXXXX _B	
0000F4 _H	EP2DT	EP2 Data Register	R/W	XXXXXXXX _B	
0000F5 _H			R/W	XXXXXXXX _B	
0000F6 _H	EP3DT	EP3 Data Register	R/W	XXXXXXXX _B	
0000F7 _H			R/W	XXXXXXXX _B	
0000F8 _H	EP4DT	EP4 Data Register	R/W	XXXXXXXX _B	
0000F9 _H			R/W	XXXXXXXX _B	

(Continued)

MB90335 Series

Address	Register abbreviation	Register	Read/Write	Resource name	Initial Value
0000FA _H	EP5DT	EP5 Data Register	R/W	USB Function	XXXXXXXX _B
0000FB _H			R/W		XXXXXXXX _B
0000FC _H to 0000FF _H	Prohibited				
000100 _H to 001100 _H	RAM Area				
001FF0 _H	PADR0	Program Address Detection Register ch.0 Lower	R/W	Address Match Detection	XXXXXXXX _B
001FF1 _H		Program Address Detection Register ch.0 Middle	R/W		XXXXXXXX _B
001FF2 _H		Program Address Detection Register ch.0 Upper	R/W		XXXXXXXX _B
001FF3 _H	PADR1	Program Address Detection Register ch.1 Lower	R/W		XXXXXXXX _B
001FF4 _H		Program Address Detection Register ch.1 Middle	R/W		XXXXXXXX _B
001FF5 _H		Program Address Detection Register ch.1 Upper	R/W		XXXXXXXX _B
007900 _H	PRL0	PPG Reload Register Lower ch.0	R/W	PPG ch.0	XXXXXXXX _B
007901 _H	PRLH0	PPG Reload Register Upper ch.0	R/W		XXXXXXXX _B
007902 _H	PRL1	PPG Reload Register Lower ch.1	R/W	PPG ch.1	XXXXXXXX _B
007903 _H	PRLH1	PPG Reload Register Upper ch.1	R/W		XXXXXXXX _B
007904 _H	PRL2	PPG Reload Register Lower ch.2	R/W	PPG ch.2	XXXXXXXX _B
007905 _H	PRLH2	PPG Reload Register Upper ch.2	R/W		XXXXXXXX _B
007906 _H	PRL3	PPG Reload Register Lower ch.3	R/W	PPG ch.3	XXXXXXXX _B
007907 _H	PRLH3	PPG Reload Register Upper ch.3	R/W		XXXXXXXX _B
007908 _H to 00790B _H	Prohibited				
00790C _H	FWR0	Flash Memory Program Control Register 0	R/W	Flash	0 0 0 0 0 0 0 0 _B
00790D _H	FWR1	Flash Memory Program Control Register 1	R/W	Flash	0 0 0 0 0 0 0 0 _B
00790E _H	SSR0	Sector Conversion Setting Register	R/W	Flash	0 0 XXXXX0 _B
00790F _H to 00791F _H	Prohibited				

(Continued)

(Continued)

Address	Register abbreviation	Register	Read/Write	Resource name	Initial Value
007920 _H	DBAPL	DMA Buffer Address Pointer Lower 8-bit	R/W	μDMAC	XXXXXXXX _B
007921 _H	DBAPM	DMA Buffer Address Pointer Middle 8-bit	R/W		XXXXXXXX _B
007922 _H	DBAPH	DMA Buffer Address Pointer Upper 8-bit	R/W		XXXXXXXX _B
007923 _H	DMACS	DMA Control Register	R/W		XXXXXXXX _B
007924 _H	DIOAL	DMA I/O Register Address Pointer Lower 8-bit	R/W		XXXXXXXX _B
007925 _H	DIOAH	DMA I/O Register Address Pointer Upper 8-bit	R/W		XXXXXXXX _B
007926 _H	DDCTL	DMA Data Counter Lower 8-bit	R/W		XXXXXXXX _B
007927 _H	DDCTH	DMA Data Counter Upper 8-bit	R/W		XXXXXXXX _B
007928 _H to 007FFF _H	Prohibited				

- Explanation on read/write

R/W : Readable and Writable

R : Read only

W : Write only

- Explanation of initial values

0 : Initial value is "0".

1 : Initial value is "1".

X : Initial value is undefined.

- : Initial value is undefined (None).

Note : No I/O instruction can be used for registers located between 007900_H and 007FFF_H.

MB90335 Series

■ INTERRUPT SOURCES, INTERRUPT VECTORS, AND INTERRUPT CONTROL REGISTERS

Interrupt source	EI ² OS support	μDMAC	Interrupt vector		Interrupt control register		Priority	
			Number*1	Address	ICR	Address		
Reset	×	×	#08	08 _H	FFFFDC _H	—	—	
INT 9 instruction	×	×	#09	09 _H	FFFFD8 _H	—	—	
Exceptional treatment	×	×	#10	0A _H	FFFFD4 _H	—	—	
USB Function1	×	0, 1	#11	0B _H	FFFFD0 _H	ICR00	0000B0 _H	
USB Function2	×	2 to 6*2	#12	0C _H	FFFFCC _H			
USB Function3	×	×	#13	0D _H	FFFFC8 _H	ICR01	0000B1 _H	
USB Function4	×	×	#14	0E _H	FFFFC4 _H			
USB HOST1	×	×	#15	0F _H	FFFFC0 _H	ICR02	0000B2 _H	
USB HOST2	×	×	#16	10 _H	FFFFBC _H			
I ² C ch.0	×	×	#17	11 _H	FFFFB8 _H	ICR03	0000B3 _H	
DTP/External interrupt ch.0/ch.1	○	×	#18	12 _H	FFFFB4 _H			
No	—	—	#19	13 _H	FFFFB0 _H	ICR04	0000B4 _H	
DTP/External interrupt ch.2/ch.3	○	×	#20	14 _H	FFFFAC _H			
No	—	—	#21	15 _H	FFFFA8 _H	ICR05	0000B5 _H	
DTP/External interrupt ch.4/ch.5	○	×	#22	16 _H	FFFFA4 _H			
PWC/Reload timer ch.0	△	14	#23	17 _H	FFFFA0 _H	ICR06	0000B6 _H	
DTP/External interrupt ch.6/ch.7	△	×	#24	18 _H	FFFF9C _H			
No	—	—	#25	19 _H	FFFF98 _H	ICR07	0000B7 _H	
No	—	—	#26	1A _H	FFFF94 _H			
No	—	—	#27	1B _H	FFFF90 _H	ICR08	0000B8 _H	
No	—	—	#28	1C _H	FFFF8C _H			
No	—	—	#29	1D _H	FFFF88 _H	ICR09	0000B9 _H	
PPG ch.0/ch.1	×	×	#30	1E _H	FFFF84 _H			
No	—	—	#31	1F _H	FFFF80 _H	ICR10	0000BA _H	
PPG ch.2/ch.3	×	×	#32	20 _H	FFFF7C _H			
No	—	—	#33	21 _H	FFFF78 _H	ICR11	0000BB _H	
No	—	—	#34	22 _H	FFFF74 _H			
No	—	—	#35	23 _H	FFFF70 _H	ICR12	0000BC _H	
No	—	—	#36	24 _H	FFFF6C _H			
UART (Send completed) ch.0/ch.1	○	13	#37	25 _H	FFFF68 _H	ICR13	0000BD _H	
Extended serial I/O	×	9	#38	26 _H	FFFF64 _H			
UART(Reception completed) ch.0/ch.1	◎	12	#39	27 _H	FFFF60 _H	ICR14	0000BE _H	
Time-base timer	×	×	#40	28 _H	FFFF5C _H			
Flash memory status	×	×	#41	29 _H	FFFF58 _H	ICR15	0000BF _H	
Delay interrupt output module	×	×	#42	2A _H	FFFF54 _H			

(Continued)

(Continued)

- ◎ : Available. EI²OS stop function provided (The interrupt request flag is cleared by the interrupt clear signal. With a stop request).
- : Available (The interrupt request flag is cleared by the interrupt clear signal).
- △ : Available when any interrupt source sharing ICR is not used.
- × : Unavailable

*1 : If the same level interrupt is output simultaneously, the lower interrupt factor of interrupt vector number has priority.

*2 : Ch.2 and ch.3 can be used in USB HOST operation.

- Notes :
- If the same interrupt control register (ICR) has two interrupt factors and the use of the EI²OS is permitted, the EI²OS is activated when either of the factors is detected. As any interrupt other than the activation factor is masked while the EI²OS is running, it is recommended that you should mask either of the interrupt requests when using the EI²OS.
 - The interrupt flag is cleared by the EI²OS interrupt clear signal for the resource that has two interrupt factors in the same interrupt control register (ICR).
 - If a resource has two interrupt sources for the same interrupt number, both of the interrupt request flags are cleared by the μ DMAC interrupt clear signal. Therefore, when you use either of two interrupt factors for the DMAC function, another interrupt function is disabled. Set the interrupt request permission bit to "0" in the appropriate resource, and take measures by software polling.

■ CONTENT OF USB INTERRUPTION FACTOR

USB interrupt factor	Details
USB function 1	End Point 0-IN, End Point 0-OUT
USB function 2	End Point 1-5 *
USB function 3	SUSP, SOF, BRST, WKOP, COHF
USB function 4	SPIT
USB HOST1	DIRQ, CHHIRQ, URIRQ, RWKIRQ
USB HOST2	SOFIRQ, CMPIRQ

* : End Point 1 and 2 can be used in USB HOST operation.

■ USB

1. USB Function

The USB function is an interface supporting the USB (Universal Serial Bus) communications protocol.

Features of USB function

- Supports USB Full Speed
- Supports full speed (12 Mbps).
- The device status is auto-answer.
- Bit stripping, bit stuffing, and automatic generation and check of CRC5 and CRC16.
- Toggle check by data synchronization bit.
- Automatic response to all standard commands except Get/SetDescriptor and SynchFrame commands (these three commands can be processed the same way as the class vendor commands).
- The class vendor commands can be received as data and responded via firmware.
- Supports up to a maximum of six EndPoints (EndPoint0 is fixed to control transfer).
- Two built-in transfer data buffers for each end point (one IN buffer and one OUT buffer for end point 0).
- Supports automatic transfer mode for transfer data via DMA (except buffers for EndPoint0).

2. USB HOST

USB HOST provides minimal host operations required and is a function that enables data to be transferred between devices without PC intervention.

- Features of USB HOST
 - Automatic detection of Low Speed/Full Speed transfer
 - Low Speed/Full Speed transfer support
 - Automatic detection of connection and cutting device
 - Reset sending function support to USB-bus
 - Support of IN/OUT/SETUP/SOF token
 - In-token handshake packet automatic transmission (excluding STALL)
 - Handshake packet automatic detection at out-token
 - Supports a maximum packet length of 256 bytes
 - Error (CRC error/toggle error/time-out) various supports
 - Wake-Up function support

- Restrictions on USB HOST

		USB HOST
HUB support		○ *
Transfer	Bulk transfer	○
	Control transfer	○
	Interrupt transfer	○
	Isochronous transfer	×
Transfer speed	Low Speed	○
	Full Speed	○
PRE packet support		×
SOF packet support		○
Error	CRC error	○
	Toggle error	○
	Time-out	○
	Maximum packet < receive data	○
Detection of connection and cutting of device		○
Transfer speed detection		○

- : Supported
- × : Not supported

* : Only supports full speed, and supports hubs up to one level.

■ SECTOR CONFIGURATION OF FLASH MEMORY

512 Kbits flash memory is located in FF_H bank in the CPU memory map.

Flash Memory CPU address Writer address *

Flash Memory	CPU address	Writer address *		
SA0 (4 Kbytes)	FF0000H	70000H	Lower Bank	
	FF0FFFH	70FFFH		
SA1 (4 Kbytes)	FF1000H	71000H		
	FF1FFFH	71FFFH		
SA2 (4 Kbytes)	FF2000H	72000H		
	FF2FFFH	72FFFH		
SA3 (4 Kbytes)	FF3000H	73000H		
	FF3FFFH	73FFFH		
SA4 (16 Kbytes)	FF4000H	74000H		Upper Bank
	FF7FFFH	77FFFH		
SA5 (16 Kbytes)	FF8000H	78000H		
	FFBFFFH	7BFFFH		
SA6 (4 Kbytes)	FFC000H	7C000H		
	FFCFFFH	7CFFFH		
SA7 (4 Kbytes)	FFD000H	7D000H		
	FFDFFFH	7DFFFH		
SA8 (4 Kbytes)	FFE000H	7E000H		
	FFEFFFH	7EFFFH		
SA9 (4Kbytes)	FFF000H	7F000H		
	FFFFFFH	7FFFFH		

* : Flash memory writer address indicates the address equivalent to the CPU address when data is written to the flash memory using a parallel writer. Programming and erasing by the general-purpose parallel programmer are executed based on writer addresses.

■ ELECTRICAL CHARACTERISTICS

1. Absolute Maximum Ratings

Parameter	Symbol	Rating		Unit	Remarks
		Min	Max		
Power supply voltage*1	V_{CC}	$V_{SS} - 0.3$	$V_{SS} + 4.0$	V	
Input voltage*1	V_I	$V_{SS} - 0.3$	$V_{SS} + 4.0$	V	*2
		$V_{SS} - 0.3$	$V_{SS} + 6.0$	V	N-ch open-drain (Withstand voltage I/O of 5 V)*3
		- 0.5	$V_{SS} + 4.5$	V	USB I/O
Output voltage*1	V_O	$V_{SS} - 0.3$	$V_{SS} + 4.0$	V	*2
		- 0.5	$V_{SS} + 4.5$	V	USB I/O
Maximum clamp current	I_{CLAMP}	- 2.0	+2.0	mA	*4
Total maximum clamp current	$\Sigma I_{CLAMP} $	—	20	mA	*4
“L” level maximum output current	I_{OL1}	—	10	mA	Other than USB I/O*5
	I_{OL2}	—	43	mA	USB I/O*5
“L” level average output current	I_{OLAV1}	—	4	mA	*6
	I_{OLAV2}	—	15/4.5	mA	USB-IO (Full speed/Low speed) *6
“L” level maximum total output current	ΣI_{OL}	—	100	mA	
“L” level average total output current	ΣI_{OLAV}	—	50	mA	*7
“H” level maximum output current	I_{OH1}	—	- 10	mA	Other than USB I/O*5
	I_{OH2}	—	- 43	mA	USB I/O*5
“H” level average output current	I_{OHAV1}	—	- 4	mA	*6
	I_{OHAV2}	—	-15/-4.5	mA	USB-IO (Full speed/Low speed) *6
“H” level maximum total output current	ΣI_{OH}	—	- 100	mA	
“H” level average total output current	ΣI_{OHAV}	—	- 50	mA	*7
Power consumption	P_d	—	270	mW	
Operating temperature	T_A	- 40	+ 85	°C	
Storage temperature	T_{stg}	- 55	+ 150	°C	
		- 55	+ 125	°C	USB I/O

*1 : The parameter is based on $V_{SS} = 0.0$ V.

*2 : V_I and V_O must not exceed $V_{CC} + 0.3$ V. However, if the maximum current to/from an input is limited by some means with external components, the I_{CLAMP} rating supersedes the V_I rating.

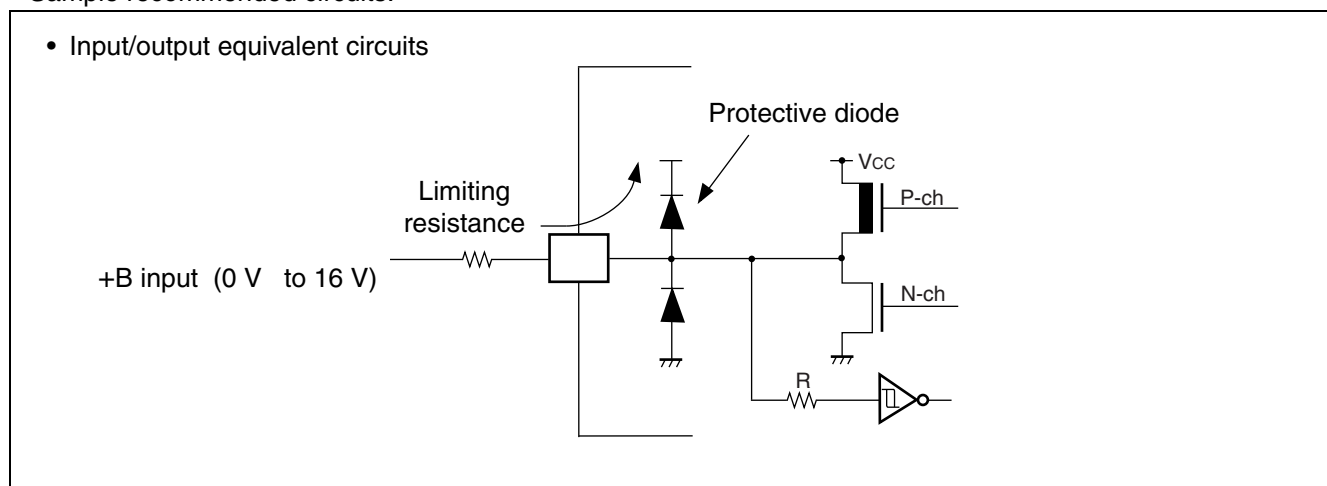
*3 : Applicable to pins : P60 to P67, UTEST

(Continued)

MB90335 Series

(Continued)

- *4 :
- Applicable to pins: P00 to P07, P10 to P17, P20 to P27, P40 to P47, P50 to P54
 - Use within recommended operating conditions.
 - Use at DC voltage (current)
 - The +B signal should always be applied a limiting resistance placed between the +B signal and the microcontroller.
 - The value of the limiting resistance should be set so that when the +B signal is applied the input current to the microcontroller pin does not exceed rated values, either instantaneously or for prolonged periods.
 - Note that when the microcontroller drive current is low, such as in the power saving modes, the +B input potential may pass through the protective diode and increase the potential at the V_{CC} pin, and this may affect other devices.
 - Note that if a +B signal is input when the microcontroller power supply is off (not fixed at 0 V), the power supply is provided from the pins, so that incomplete operation may result.
 - Note that if the +B input is applied during power-on, the power supply is provided from the pins and the resulting supply voltage may not be sufficient to operate the power-on reset.
 - Care must be taken not to leave the +B input pin open.
 - Note that analog system input/output pins other than P60 to P67, DVP, DVM, HVP, HVM, UTEST, $\overline{\text{HCON}}$
- Sample recommended circuits:



- *5 : A peak value of an applicable one pin is specified as a maximum output current.
- *6 : The average output current specifies the mean value of the current flowing in the relevant single pin during a period of 100 ms.
- *7 : The average total output current specifies the mean value of the currents flowing in all of the relevant pins during a period of 100 ms.

WARNING: Semiconductor devices can be permanently damaged by application of stress (voltage, current, temperature, etc.) in excess of absolute maximum ratings. Do not exceed these ratings.

2. Recommended Operating Conditions

($V_{SS} = 0.0\text{ V}$)

Parameter	Symbol	Value		Unit	Remarks
		Min	Max		
Power supply voltage	V_{CC}	3.0	3.6	V	At normal operation (When using USB)
		2.7	3.6	V	At normal operation (When not using USB)
		1.8	3.6	V	Hold state of stop operation
Input "H" voltage	V_{IH}	$0.7 V_{CC}$	$V_{CC} + 0.3$	V	CMOS input pin
	V_{IHS1}	$0.8 V_{CC}$	$V_{CC} + 0.3$	V	CMOS hysteresis input pin
	V_{IHS2}	$0.8 V_{CC}$	$V_{SS} + 5.3$	V	N-ch open-drain (Withstand voltage I/O of 5 V)*
	V_{IHM}	$V_{CC} - 0.3$	$V_{CC} + 0.3$	V	MD pin input
	V_{IHUSB}	2.0	$V_{CC} + 0.3$	V	USB pin input
Input "L" voltage	V_{IL}	$V_{SS} - 0.3$	$0.3 V_{CC}$	V	CMOS input pin
	V_{ILS}	$V_{SS} - 0.3$	$0.2 V_{CC}$	V	CMOS hysteresis input pin
	V_{ILM}	$V_{SS} - 0.3$	$V_{SS} + 0.3$	V	MD pin input
	V_{ILUSB}	V_{SS}	0.8	V	USB pin input
Differential input sensitivity	V_{DI}	0.2	—	V	USB pin input
Differential common mode input voltage range	V_{CM}	0.8	2.5	V	USB pin input
Operating temperature	T_A	- 40	+ 85	°C	When not using USB
		0	+ 70	°C	When using USB

* : Applicable to pins : P60 to P67, UTEST

WARNING: The recommended operating conditions are required in order to ensure the normal operation of the semiconductor device. All of the device's electrical characteristics are warranted when the device is operated within these ranges.

Always use semiconductor devices within their recommended operating condition ranges. Operation outside these ranges may adversely affect reliability and could result in device failure.

No warranty is made with respect to uses, operating conditions, or combinations not represented on the data sheet. Users considering application outside the listed conditions are advised to contact their representatives beforehand.

MB90335 Series

3. DC Characteristics

($V_{CC} = 3.3 \text{ V} \pm 0.3 \text{ V}$, $V_{SS} = 0.0 \text{ V}$, $T_A = -40 \text{ }^\circ\text{C}$ to $+85 \text{ }^\circ\text{C}$)

Parameter	Symbol	Pin name	Conditions	Value			Unit	Remarks
				Min	Typ	Max		
Output "H" voltage	V_{OH}	Output pins other than P60 to P67, HVP, HVM, DVP, DVM	$I_{OH} = -4.0 \text{ mA}$	$V_{CC} - 0.5$	—	V_{CC}	V	
		HVP, HVM, DVP, DVM	$R_L = 15 \text{ k}\Omega \pm 5\%$	2.8	—	3.6	V	
Output "L" voltage	V_{OL}	Output pins other than HVP, HVM, DVP, DVM	$I_{OL} = 4.0 \text{ mA}$	V_{SS}	—	$V_{SS} + 0.4$	V	
		HVP, HVM, DVP, DVM	$R_L = 1.5 \text{ k}\Omega \pm 5\%$	0	—	0.3	V	
Input leak current	I_{IL}	Input pins other than P60 to P67, HVP, HVM, DVP, DVM	$V_{CC} = 3.3 \text{ V}$, $V_{SS} < V_i < V_{CC}$	- 10	—	+ 10	μA	
		HVP, HVM, DVP, DVM	—	- 5	—	+ 5	μA	
Pull-up resistance	R_{PULL}	P00 to P07, P10 to P17	$V_{CC} = 3.3 \text{ V}$, $T_A = +25 \text{ }^\circ\text{C}$	25	50	100	$\text{k}\Omega$	
Open drain output leak current	I_{IOD}	P60 to P67	—	—	0.1	10	μA	
Power supply current	I_{CC}	V_{CC}	$V_{CC} = 3.3 \text{ V}$, Internal frequency 24 MHz, At normal operating	—	55	65	mA	MB90F337
			At USB operating (USTP = 0)	—	50	60	mA	MB90337
			$V_{CC} = 3.3 \text{ V}$, Internal frequency 24 MHz, At normal operating	—	50	60	mA	MB90F337
			At non-operating USB (USTP = 1)	—	45	55	mA	MB90337
	I_{CCS}		$V_{CC} = 3.3 \text{ V}$, Internal frequency 24 MHz, At sleep mode	—	25	40	mA	
	I_{CTS}		$V_{CC} = 3.3 \text{ V}$, Internal frequency 24 MHz, At timer mode	—	3.5	10	mA	
			$V_{CC} = 3.3 \text{ V}$, Internal frequency 3 MHz, At timer mode	—	1.0	2.0	mA	
I_{CCH}	$T_A = +25 \text{ }^\circ\text{C}$, At stop mode	—	1	40	μA			

(Continued)

MB90335 Series

(Continued)

($V_{CC} = 3.3 \text{ V} \pm 0.3 \text{ V}$, $V_{SS} = 0.0 \text{ V}$, $T_A = -40 \text{ }^\circ\text{C}$ to $+85 \text{ }^\circ\text{C}$)

Parameter	Symbol	Pin name	Conditions	Value			Unit	Remarks
				Min	Typ	Max		
Input capacitance	C_{IN}	Other than V_{CC} and V_{SS}	—	—	5	15	pF	
Pull-up resistor	R_{up}	\overline{RST}	—	25	50	100	k Ω	
Pull-down resistor	R_{down}	MD2	$V_{CC} = 3.0 \text{ V}$ At $T_A = +25 \text{ }^\circ\text{C}$	25	50	100	k Ω	MB90337
USB I/O output impedance	Z_{USB}	DVP, DVM HVP, HVM	—	3	—	14	Ω	

Note : P60 to P67 are N-ch open-drain pins usually used as CMOS.

MB90335 Series

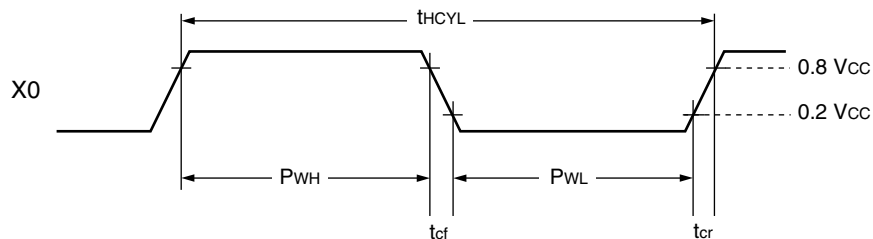
4. AC Characteristics

(1) Clock input timing

($V_{CC} = 3.3 \text{ V} \pm 0.3 \text{ V}$, $V_{SS} = 0.0 \text{ V}$, $T_A = -40 \text{ }^\circ\text{C}$ to $+85 \text{ }^\circ\text{C}$)

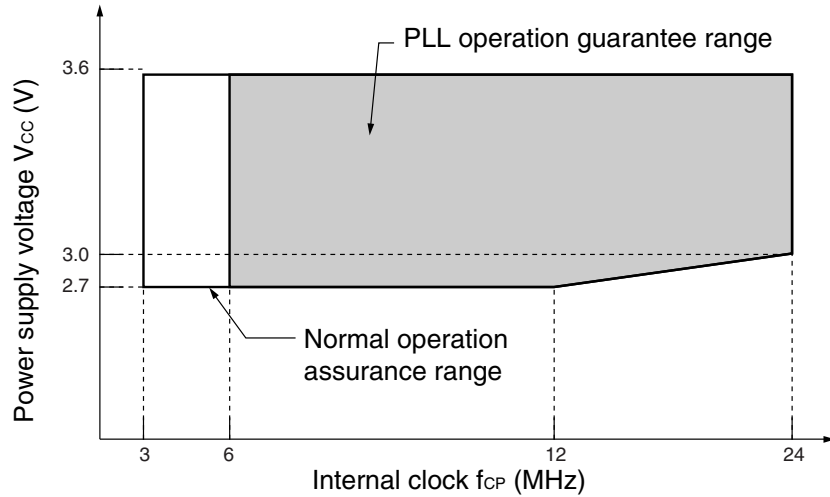
Parameter	Symbol	Pin name	Value			Unit	Remarks
			Min	Typ	Max		
Clock frequency	f_{CH}	X0, X1	—	6	—	MHz	When oscillator is used
			6	—	24	MHz	External clock input
Clock cycle time	t_{HCYL}	X0, X1	—	166.7	—	ns	When oscillator is used
			166.7	—	41.7	ns	External clock input
Input clock pulse width	P_{WH} P_{WL}	X0	10	—	—	ns	A reference duty ratio is 30% to 70%.
Input clock rise time and fall time	t_{cr} t_{cf}	X0	—	—	5	ns	At external clock
Internal operating clock frequency	f_{CP}	—	3	—	24	MHz	When main clock is used
Internal operating clock cycle time	t_{CP}	—	42	—	333	ns	When main clock is used

• Clock Timing



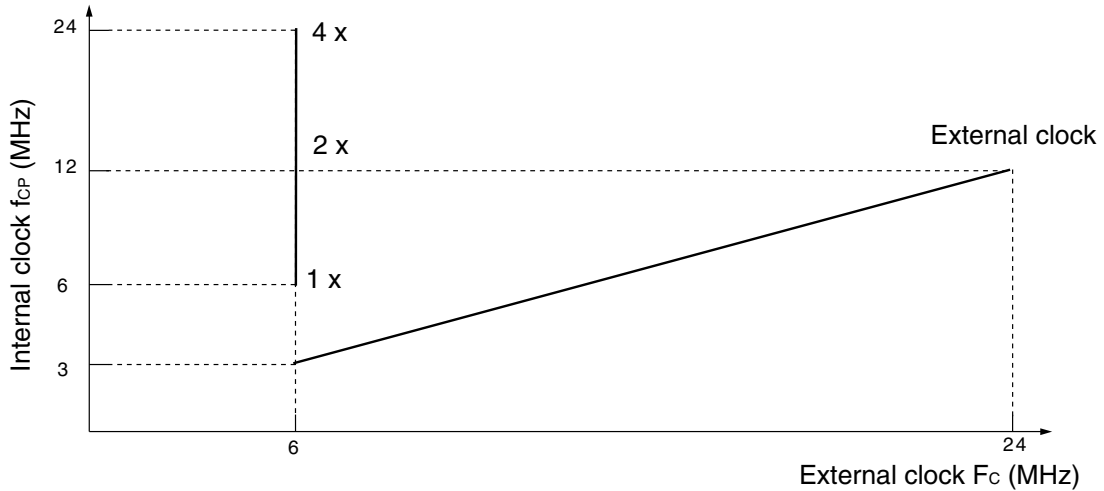
- PLL operation guarantee range

Relation between power supply voltage and internal operation clock frequency



Note : When the USB is used, operation is guaranteed at voltages between 3.0 V to 3.6 V.

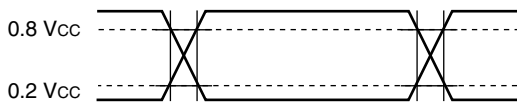
Relation between internal operation clock frequency and external clock frequency



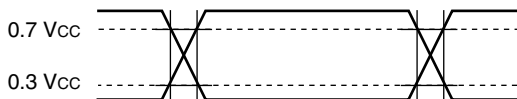
The AC standards provide that the following measurement reference voltages.

- Input signal waveform

Hysteresis input pin

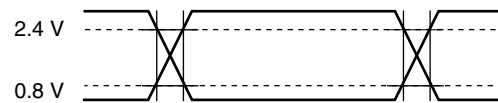


Hysteresis input/other than MD input pin



- Output signal waveform

Output pin



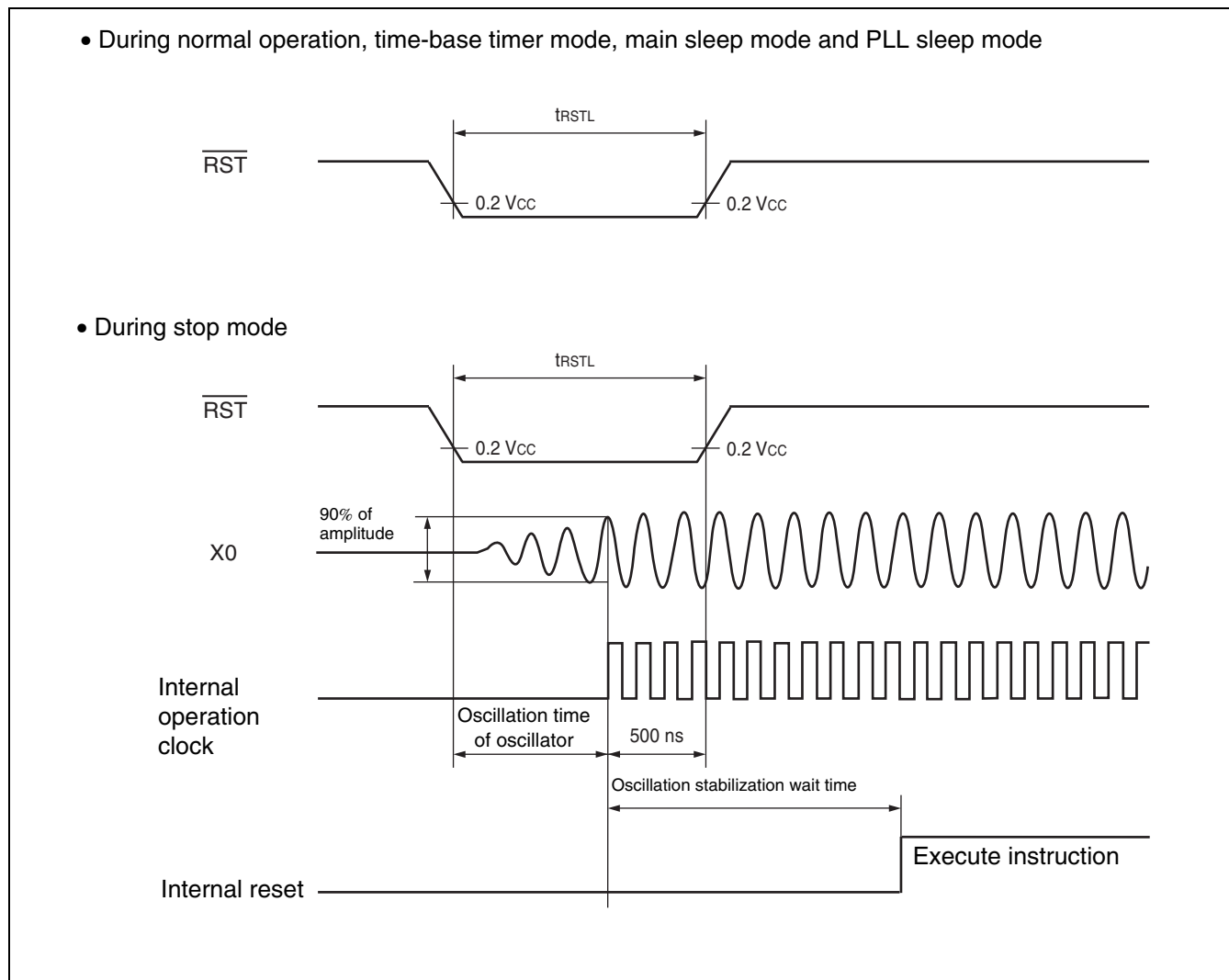
MB90335 Series

(2) Reset

($V_{CC} = 3.3\text{ V} \pm 0.3\text{ V}$, $V_{SS} = 0.0\text{ V}$, $T_A = -40\text{ }^\circ\text{C}$ to $+85\text{ }^\circ\text{C}$)

Parameter	Symbol	Pin name	Conditions	Value		Unit	Remarks
				Min	Max		
Reset input time	t_{RSTL}	\overline{RST}	—	500	—	ns	At normal operating, At time base timer mode, At main sleep mode, At PLL sleep mode
				Oscillation time of oscillator* + 500 ns	—	μs	At stop mode

* : Oscillation time of oscillator is the time that the amplitude reaches 90 %. It takes several milliseconds to several dozens of milliseconds on a crystal oscillator, several hundreds of microseconds to several milliseconds on a ceramic oscillator, and 0 milliseconds on an external clock.

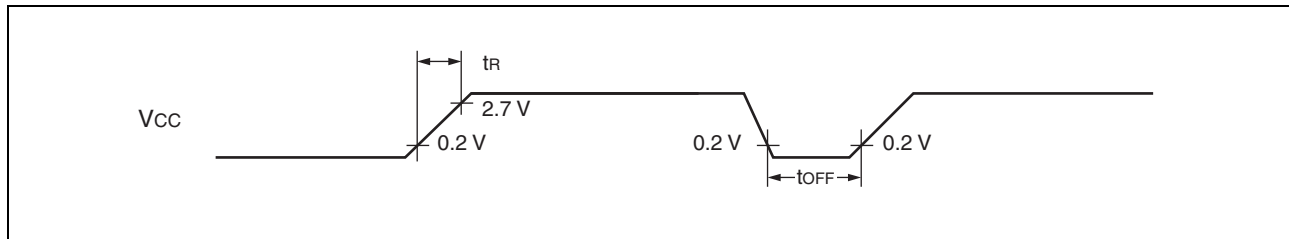


(3) Power-on reset

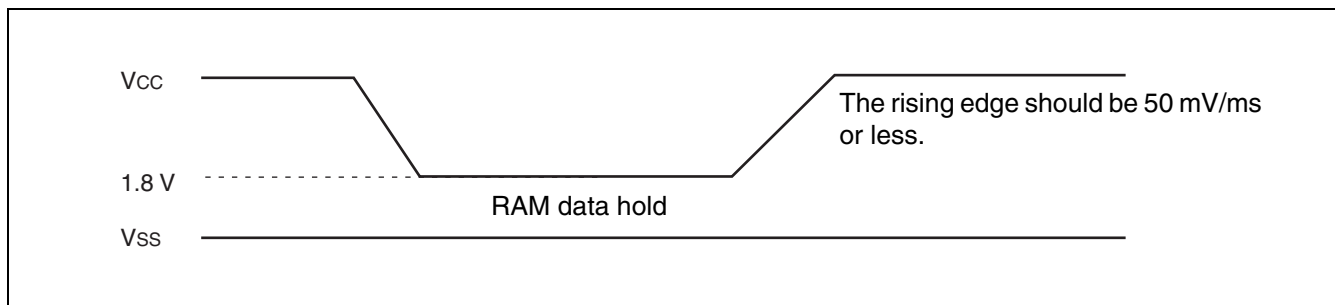
($V_{CC} = 3.3\text{ V} \pm 0.3\text{ V}$, $V_{SS} = 0.0\text{ V}$, $T_A = -40\text{ }^\circ\text{C}$ to $+85\text{ }^\circ\text{C}$)

Parameter	Symbol	Pin name	Conditions	Value		Unit	Remarks
				Min	Max		
Power supply rising time	t_R	V_{CC}	—	0.05	30	ms	
Power supply shutdown time	t_{OFF}	V_{CC}		1	—	ms	Waiting time until power-on

- Notes :
- V_{CC} must be lower than 0.2 V before the power supply is turned on.
 - The above standard is a value for performing a power-on reset.
 - In the device, there are internal registers which is initialized only by a power-on reset. When the initialization of these items is expected, turn on the power supply according to the standards.



- Note : Sudden change of power supply voltage may activate the power-on reset function. When changing the power supply voltage during operation as illustrated below, voltage fluctuation should be minimized so that the voltage rises as smoothly as possible. When raising the power, do not use PLL clock. However, if voltage drop is 1 V/s or less, use of PLL clock is allowed during operation.



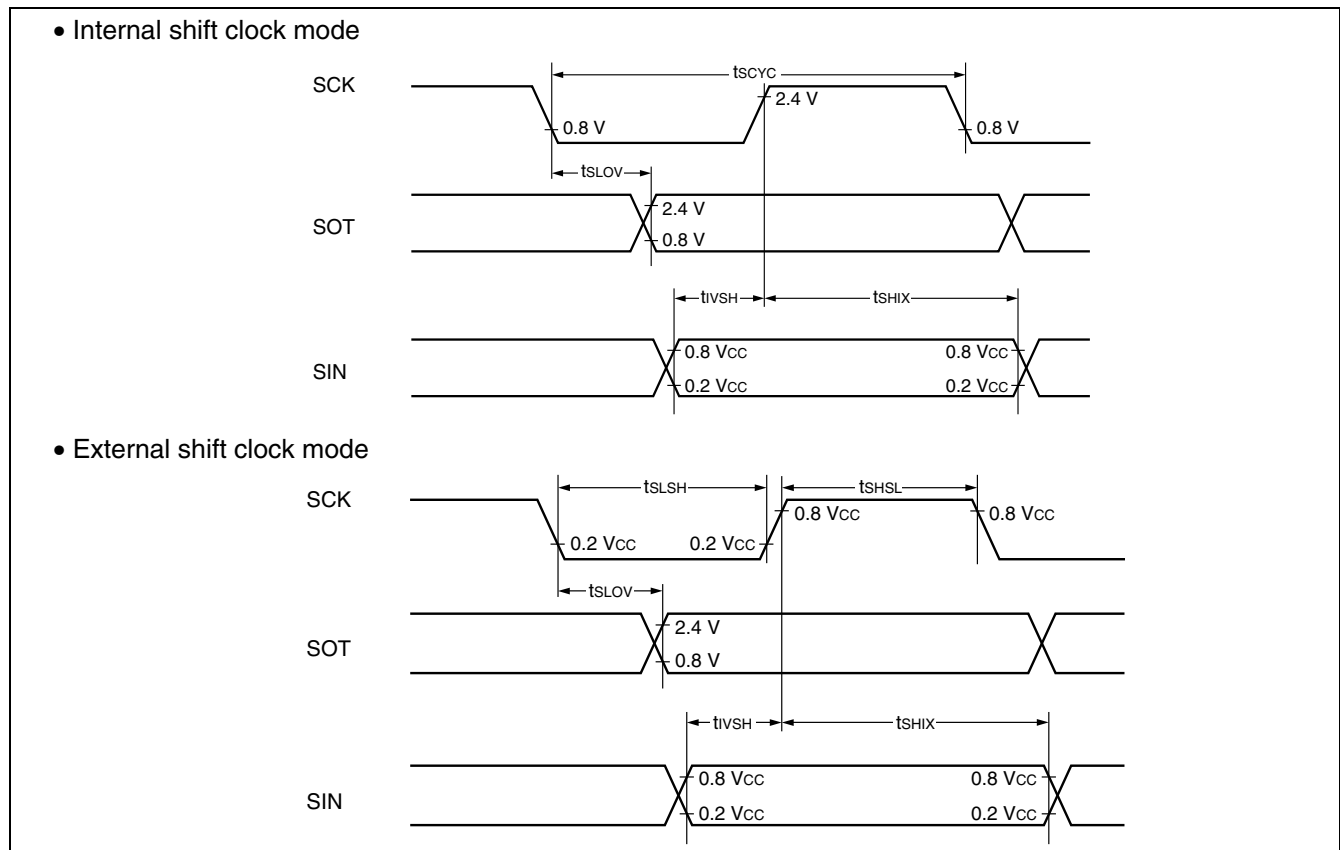
MB90335 Series

(4) UART0, UART1 I/O extended serial timing

($V_{CC} = 3.3\text{ V} \pm 0.3\text{ V}$, $V_{SS} = 0.0\text{ V}$, $T_A = -40\text{ }^\circ\text{C}$ to $+85\text{ }^\circ\text{C}$)

Parameter	Symbol	Pin name	Conditions	Value		Unit
				Min	Max	
Serial clock cycle time	t_{SCYC}	SCKx	Internal shift clock Mode output pin is $C_L = 80\text{ pF} + 1\text{ TTL}$	$8\ t_{CP}$	—	ns
SCK ↓ → SOT delay time	t_{SLOV}	SCKx SOTx		- 80	+ 80	ns
Valid SIN → SCK ↑	t_{IVSH}	SCKx SINx		100	—	ns
SCK ↑ → valid SIN hold time	t_{SHIX}	SCKx SINx		60	—	ns
Serial clock H pulse width	t_{SHSL}	SCKx, SINx	External shift clock Mode output pin is $C_L = 80\text{ pF} + 1\text{ TTL}$	$4\ t_{CP}$	—	ns
Serial clock L pulse width	t_{SLSH}	SCKx, SINx		$4\ t_{CP}$	—	ns
SCK ↓ → SOT delay time	t_{SLOV}	SCKx SOTx		—	150	ns
Valid SIN → SCK ↑	t_{IVSH}	SCKx SINx		60	—	ns
SCK ↑ → valid SIN hold time	t_{SHIX}	SCKx SINx		60	—	ns

- Notes :
- Above rating is the case of CLK synchronous mode.
 - C_L is a load capacitance value on pins for testing.
 - t_{CP} is the machine cycle period (unit : ns) . Refer to “ (1) Clock input timing”.



(5) I²C timing

(V_{CC} = 3.3 V ± 0.3 V, V_{SS} = 0.0 V, T_A = -40 °C to +85 °C)

Parameter	Symbol	Conditions	Value		Unit
			Min	Max	
SCL clock frequency	f _{SCL}		0	100	kHz
(Repeat) [start] condition hold time SDA ↓ → SCL ↓	t _{HDSTA}	Power-supply of external pull-up resistor at 5.0 V	4.0	—	μs
SCL clock "L" width	t _{LOW}	R = 1.2 kΩ, C = 50 pF*2	4.7	—	μs
SCL clock "H" width	t _{HIGH}	Power-supply of external pull-up resistor at 3.6 V	4.0	—	μs
Repeat [start] condition setup time SCL ↑ → SDA ↓	t _{SUSTA}	R = 1.0 kΩ, C = 50 pF*2	4.7	—	μs
Data hold time SCL ↓ → SDA ↓ ↑	t _{HDDAT}		0	3.45*3	μs
Data setup time SDA ↓ ↑ → SCL ↑	t _{SUDAT}	Power-supply of external pull-up resistor at 5.0 V f _{CP} *1 ≤ 20 MHz, R = 1.2 kΩ, C = 50 pF*2 Power-supply of external pull-up resistor at 3.6 V f _{CP} *1 ≤ 20 MHz, R = 1.0 kΩ, C = 50 pF*2	250*4	—	ns
		Power-supply of external pull-up resistor at 5.0 V f _{CP} *1 > 20 MHz, R = 1.2 kΩ, C = 50 pF*2 Power-supply of external pull-up resistor at 3.6 V f _{CP} *1 > 20 MHz, R = 1.0 kΩ, C = 50 pF*2	200*4	—	
[Stop] condition setup time SCL ↑ → SDA ↑	t _{SUSTO}	Power-supply of external pull-up resistor at 5.0 V R = 1.2 kΩ, C = 50 pF*2	4.0	—	μs
Bus free time between [stop] condition and [start] condition	t _{BUS}	Power-supply of external pull-up resistor at 3.6 V R = 1.0 kΩ, C = 50 pF*2	4.7	—	μs

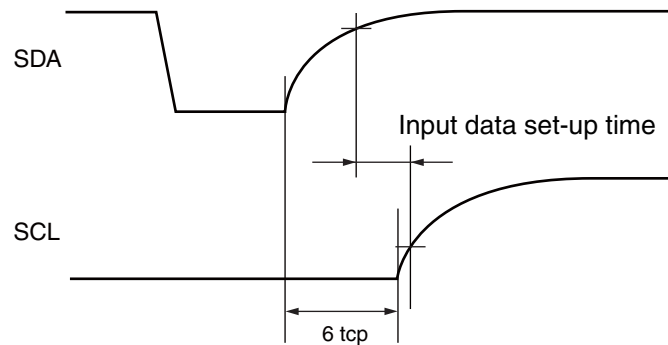
*1 : f_{CP} is internal operating clock frequency. Refer to "(1) Clock input timing".

*2 : R and C are pull-up resistance of SCL and SDA lines and load capacitance.

*3 : The maximum t_{HDDAT} only has to be met if the device does not stretch the "L" width (t_{LOW}) of the SCL signal.

*4 : Refer to "• Note of SDA, SCL set-up time".

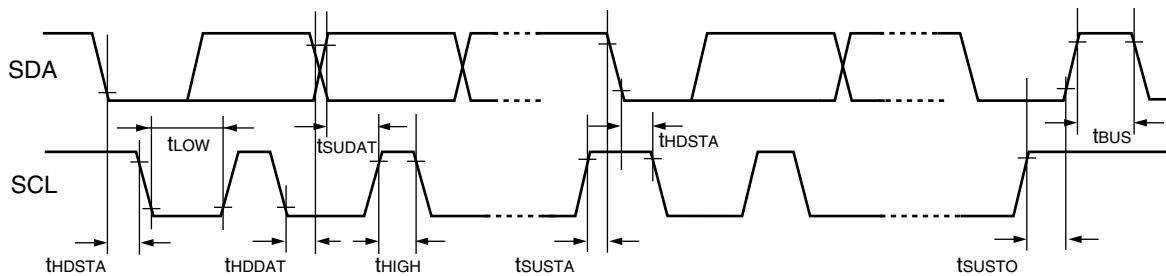
•Note of SDA, SCL set-up time



Note : The rating of the input data set-up time in the device connected to the bus cannot be satisfied depending on the load capacitance or pull-up resistor.

Be sure to adjust the pull-up resistor of SDA and SCL if the rating of the input data set-up time cannot be satisfied.

•Timing definition

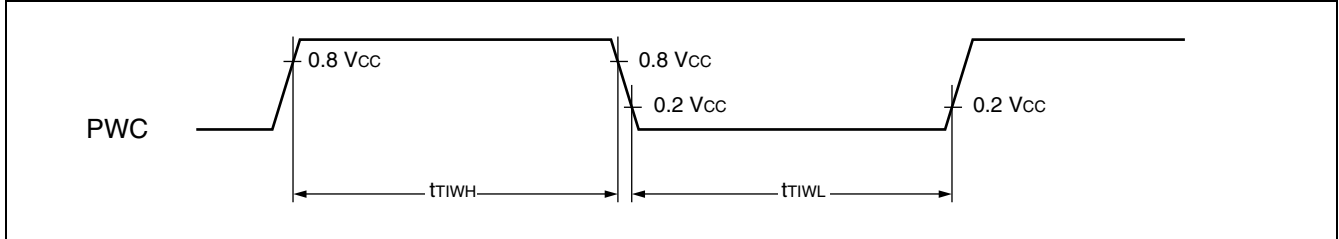


(6) Timer Input Timing

($V_{CC} = 3.3\text{ V} \pm 0.3\text{ V}$, $V_{SS} = 0.0\text{ V}$, $T_A = -40\text{ }^\circ\text{C}$ to $+85\text{ }^\circ\text{C}$)

Parameter	Symbol	Pin name	Conditions	Value		Unit
				Min	Max	
Input pulse width	t_{TIWH} t_{TIWL}	PWC	—	$4 t_{CP}$	—	ns

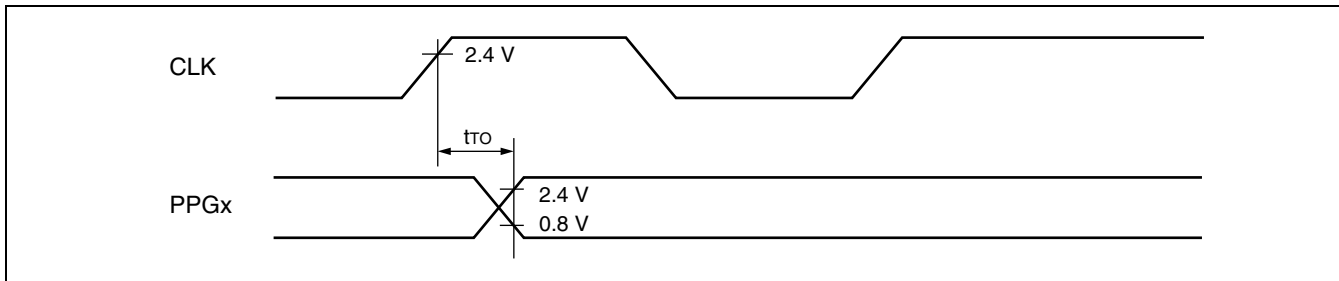
Note : t_{CP} is the machine cycle period (unit : ns) . Refer to “ (1) Clock input timing”.



(7) Timer output timing

($V_{CC} = 3.3\text{ V} \pm 0.3\text{ V}$, $V_{SS} = 0.0\text{ V}$, $T_A = -40\text{ }^\circ\text{C}$ to $+85\text{ }^\circ\text{C}$)

Parameter	Symbol	Pin name	Conditions	Value		Unit
				Min	Max	
CLK \uparrow \rightarrow T_{OUT} change time PPG0 to PPG3 change time	t_{TO}	PPGx	—	30	—	ns

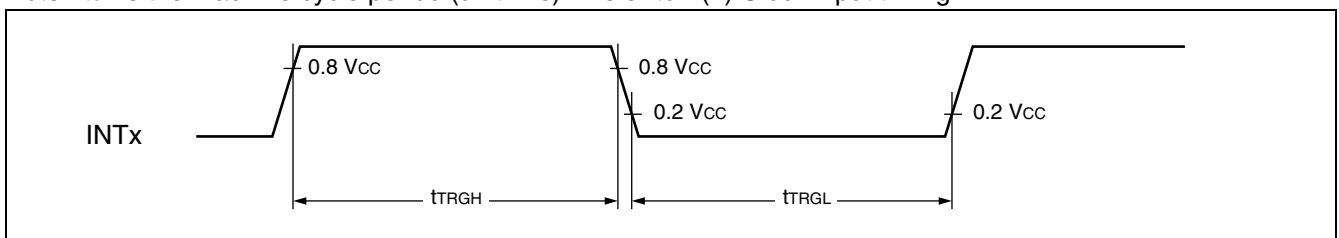


(8) Trigger Input Timing

($V_{CC} = 3.3\text{ V} \pm 0.3\text{ V}$, $V_{SS} = 0.0\text{ V}$, $T_A = -40\text{ }^\circ\text{C}$ to $+85\text{ }^\circ\text{C}$)

Parameter	Symbol	Pin name	Conditions	Value		Unit	Remarks
				Min	Max		
Input pulse width	t_{TRGH}	INTx	—	$5 t_{CP}$	—	ns	At normal operating
	t_{TRGL}			1	—	μs	At Stop mode

Note : t_{CP} is the machine cycle period (unit : ns) . Refer to “ (1) Clock input timing”.



MB90335 Series

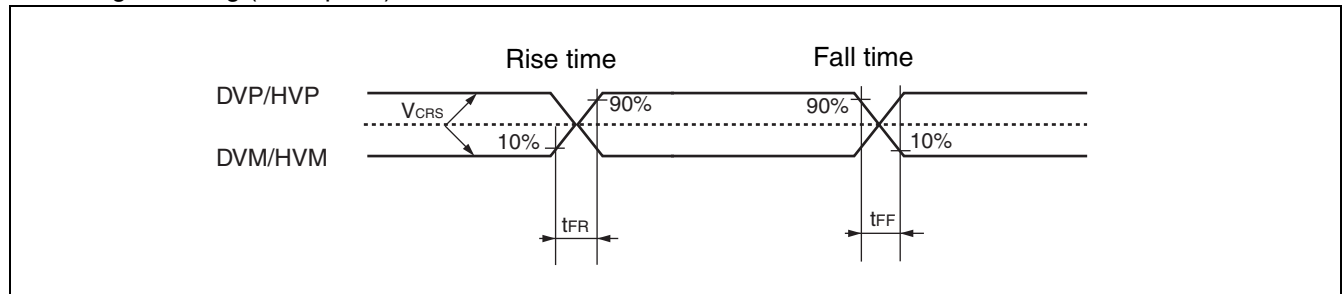
5. USB characteristics

($V_{CC} = 3.3\text{ V} \pm 0.3\text{ V}$, $V_{SS} = 0.0\text{ V}$, $T_A = 0\text{ }^\circ\text{C}$ to $+70\text{ }^\circ\text{C}$)

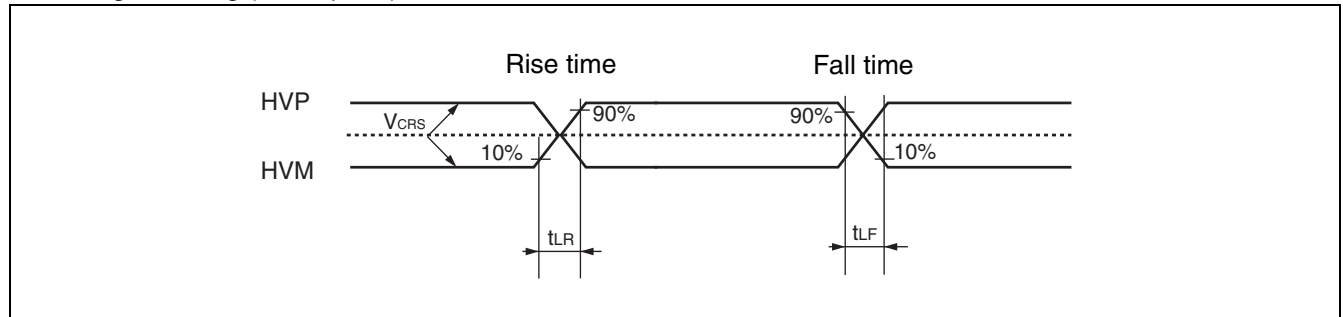
Parameter	Symbol	Sym- bol	Value		Unit	Remarks
			Min	Max		
Input characteristics	Input High level voltage	V_{IH}	2.0	—	V	
	Input Low level voltage	V_{IL}	—	0.8	V	
	Differential input sensitivity	V_{DI}	0.2	—	V	
	Differential common mode range	V_{CM}	0.8	2.5	V	
Output characteristics	Output High level voltage	V_{OH}	2.8	3.6	V	$I_{OH} = -200\text{ }\mu\text{A}$
	Output Low level voltage	V_{OL}	0.0	0.3	V	$I_{OL} = 2\text{ mA}$
	Cross over voltage	V_{CRS}	1.3	2.0	V	
	Rise time	t_{FR}	4	20	ns	Full Speed
		t_{LR}	75	300	ns	Low Speed
	Fall time	t_{FF}	4	20	ns	Full Speed
		t_{LF}	75	300	ns	Low Speed
	Rising/falling time matching	t_{RFM}	90	111.11	%	(T_{FR}/T_{FF})
t_{RLM}		80	125	%	(T_{LR}/T_{LF})	
Output impedance	Z_{DRV}	28	44	Ω	Including $R_s = 27\text{ }\Omega$	
Series resistance	R_s	25	30	Ω	Recommended value = $27\text{ }\Omega$ at using USB*	

* : Arrange the series resistance R_s values in order to set the impedance value within the output impedance ZSRV.

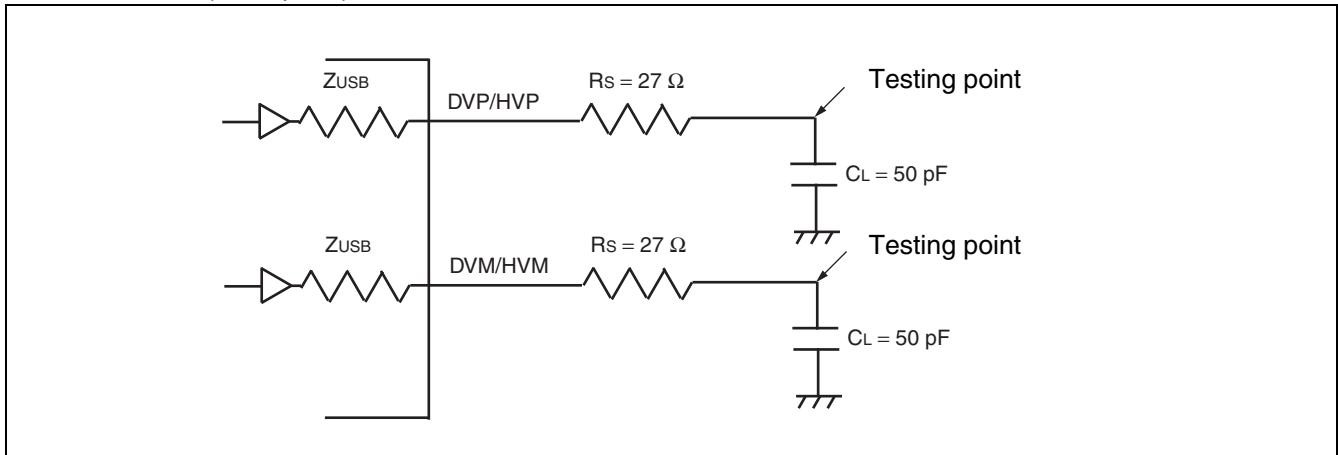
• Data signal timing (Full Speed)



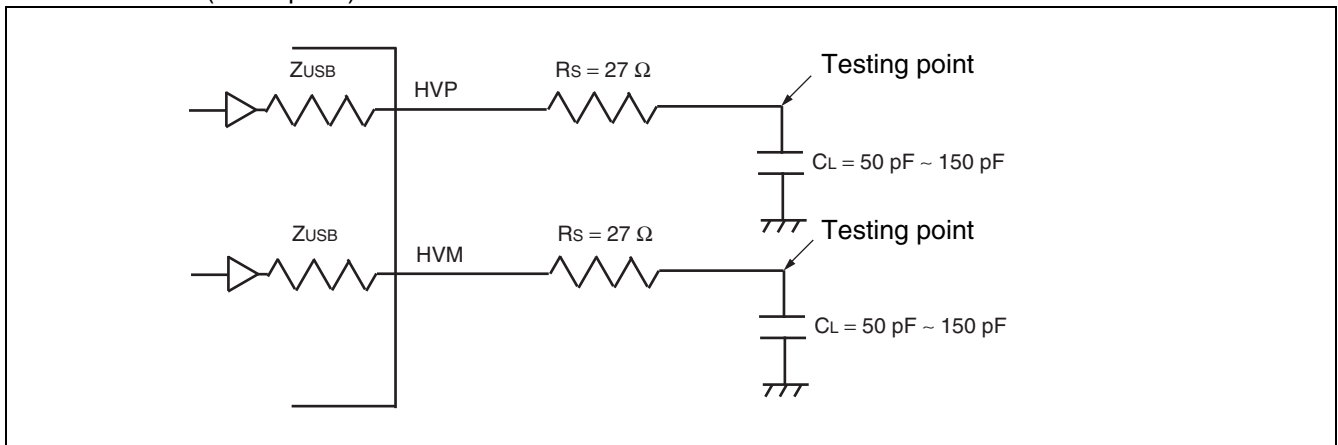
• Data signal timing (Low Speed)



- Load condition (Full Speed)



- Load condition (Low Speed)



MB90335 Series

6. Flash memory write/erase characteristics

Parameter	Condition	Value			Unit	Remarks
		Min	Typ	Max		
Sector erase time (4 Kbytes sector)	T _A = + 25 °C V _{CC} = 3.0 V	—	0.2	0.5	s	Excludes 00 _H programming prior to erasure.
Sector erase time (16 Kbytes sector)		—	0.5	7.5	s	Excludes 00 _H programming prior to erasure.
Chip erase time		—	2.6	—	s	Excludes 00 _H programming prior to erasure.
Word (8 bits width) programming time		—	16	3600	μs	Except for over head time of system
Program/erase cycle	—	10000	—	—	cycle	
Flash data retention time	Average T _A = + 85 °C	20	—	—	year	*

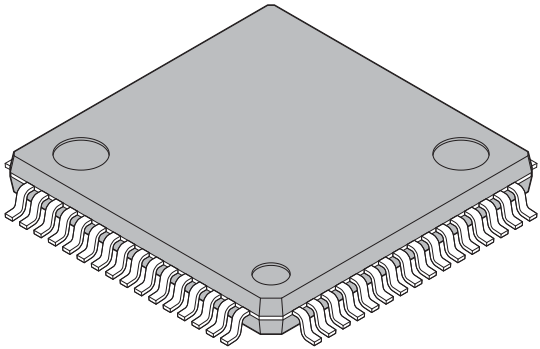
* : This value comes from the technology qualification. (using Arrhenius equation to translate high temperature measurements into normalized value at + 85 °C)

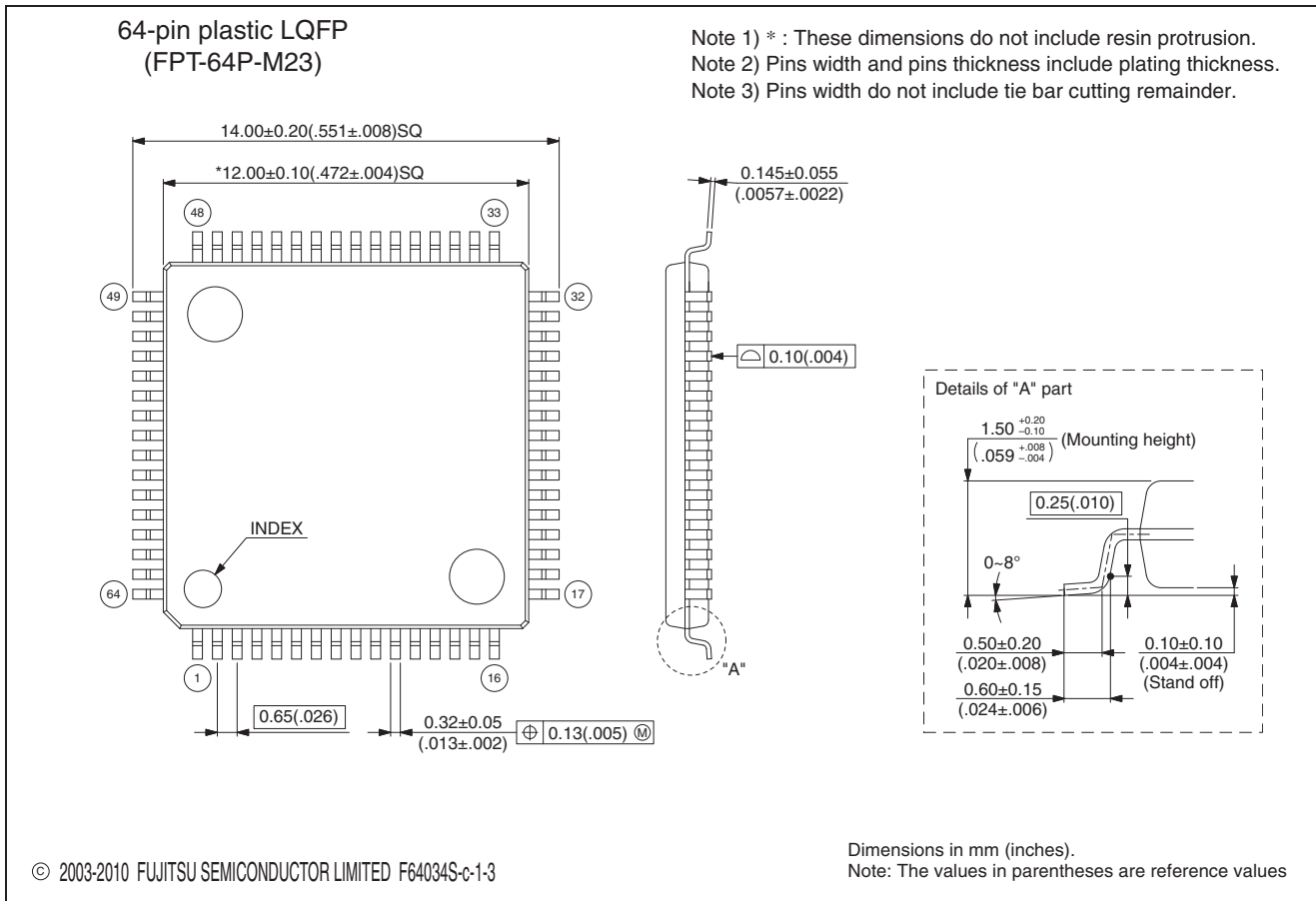
■ ORDERING INFORMATION

Part number	Package	Remarks
MB90F337PMC MB90337PMC	64-pin plastic LQFP (FPT-64P-M23)	
MB90V330ACR	299-pin ceramic PGA (PGA-299C-A01)	For evaluation

MB90335 Series

PACKAGE DIMENSION

<p>64-pin plastic LQFP</p>  <p>(FPT-64P-M23)</p>	Lead pitch	0.65 mm
	Package width × package length	12.0 × 12.0 mm
	Lead shape	Gullwing
	Sealing method	Plastic mold
	Mounting height	1.70 mm MAX
	Weight	0.47 g
	Code (Reference)	P-LQFP64-12×12-0.65



Please check the latest package dimension at the following URL.
<http://edevice.fujitsu.com/package/en-search/>

■ MAIN CHANGES IN THIS EDITION

Page	Section	Change Results
35	■ ELECTRICAL CHARACTERISTICS 4.AC Characteristics (3) Power-on reset	Corrected as follows; Voltage of RAM data hold: 3.0 V → 1.8 V

The vertical lines marked in the left side of the page show the changes.

MEMO

MEMO

MB90335 Series

FUJITSU SEMICONDUCTOR LIMITED

Nomura Fudosan Shin-yokohama Bldg. 10-23, Shin-yokohama 2-Chome,

Kohoku-ku Yokohama Kanagawa 222-0033, Japan

Tel: +81-45-415-5858

<http://jp.fujitsu.com/fsl/en/>

For further information please contact:

North and South America

FUJITSU MICROELECTRONICS AMERICA, INC.

1250 E. Arques Avenue, M/S 333

Sunnyvale, CA 94085-5401, U.S.A.

Tel: +1-408-737-5600 Fax: +1-408-737-5999

<http://www.fma.fujitsu.com/>

Asia Pacific

FUJITSU MICROELECTRONICS ASIA PTE. LTD.

151 Lorong Chuan,

#05-08 New Tech Park 556741 Singapore

Tel : +65-6281-0770 Fax : +65-6281-0220

<http://www.fmal.fujitsu.com/>

Europe

FUJITSU MICROELECTRONICS EUROPE GmbH

Pittlerstrasse 47, 63225 Langen, Germany

Tel: +49-6103-690-0 Fax: +49-6103-690-122

<http://emea.fujitsu.com/microelectronics/>

FUJITSU MICROELECTRONICS SHANGHAI CO., LTD.

Rm. 3102, Bund Center, No.222 Yan An Road (E),

Shanghai 200002, China

Tel : +86-21-6146-3688 Fax : +86-21-6335-1605

<http://cn.fujitsu.com/fmc/>

Korea

FUJITSU MICROELECTRONICS KOREA LTD.

206 Kosmo Tower Building, 1002 Daechi-Dong,

Gangnam-Gu, Seoul 135-280, Republic of Korea

Tel: +82-2-3484-7100 Fax: +82-2-3484-7111

<http://kr.fujitsu.com/fmk/>

FUJITSU MICROELECTRONICS PACIFIC ASIA LTD.

10/F., World Commerce Centre, 11 Canton Road,

Tsimshatsui, Kowloon, Hong Kong

Tel : +852-2377-0226 Fax : +852-2376-3269

<http://cn.fujitsu.com/fmc/en/>

Specifications are subject to change without notice. For further information please contact each office.

All Rights Reserved.

The contents of this document are subject to change without notice.

Customers are advised to consult with sales representatives before ordering.

The information, such as descriptions of function and application circuit examples, in this document are presented solely for the purpose of reference to show examples of operations and uses of FUJITSU SEMICONDUCTOR device; FUJITSU SEMICONDUCTOR does not warrant proper operation of the device with respect to use based on such information. When you develop equipment incorporating the device based on such information, you must assume any responsibility arising out of such use of the information.

FUJITSU SEMICONDUCTOR assumes no liability for any damages whatsoever arising out of the use of the information.

Any information in this document, including descriptions of function and schematic diagrams, shall not be construed as license of the use or exercise of any intellectual property right, such as patent right or copyright, or any other right of FUJITSU SEMICONDUCTOR or any third party or does FUJITSU SEMICONDUCTOR warrant non-infringement of any third-party's intellectual property right or other right by using such information. FUJITSU SEMICONDUCTOR assumes no liability for any infringement of the intellectual property rights or other rights of third parties which would result from the use of information contained herein.

The products described in this document are designed, developed and manufactured as contemplated for general use, including without limitation, ordinary industrial use, general office use, personal use, and household use, but are not designed, developed and manufactured as contemplated (1) for use accompanying fatal risks or dangers that, unless extremely high safety is secured, could have a serious effect to the public, and could lead directly to death, personal injury, severe physical damage or other loss (i.e., nuclear reaction control in nuclear facility, aircraft flight control, air traffic control, mass transport control, medical life support system, missile launch control in weapon system), or (2) for use requiring extremely high reliability (i.e., submersible repeater and artificial satellite).

Please note that FUJITSU SEMICONDUCTOR will not be liable against you and/or any third party for any claims or damages arising in connection with above-mentioned uses of the products.

Any semiconductor devices have an inherent chance of failure. You must protect against injury, damage or loss from such failures by incorporating safety design measures into your facility and equipment such as redundancy, fire protection, and prevention of over-current levels and other abnormal operating conditions.

Exportation/release of any products described in this document may require necessary procedures in accordance with the regulations of the Foreign Exchange and Foreign Trade Control Law of Japan and/or US export control laws.

The company names and brand names herein are the trademarks or registered trademarks of their respective owners.