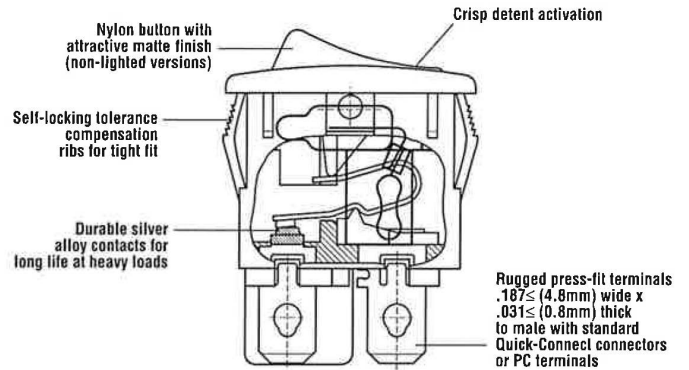
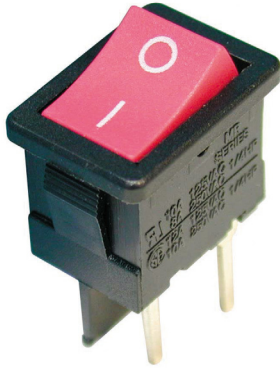


Double-Pole Rocker Switch LR Series



Features

- Single-throw and double-throw options
- Lighted and non-lighted options
- Industry standard mounting dimensions
- Mechanical life: min. 100,000 operations

Electrical Ratings				
Switch Series	EN61058 Rating	UL1054 Rating	Electrical Life at Rated Load	
			According to VDE (Min. Operations)	According to UL (Min. Operations)
LR	10(4)A, 250V~T125/55	10A 125VAC 1/4HP, 8A 250VAC; 1/4HP	10,000	6,000

Electrical Specifications		Material Specifications	
Ratings:	10A 125VAC 1/4HP 8A 250VAC 1/4HP (cULus) 10(4)A, 250V~ T125/55 (VDE)	Actuator: (non-lighted) (lighted)	Nylon 66 94V-2 Polycarbonate
Dielectric Strength:	1000VAC for 1 minute	Base:	Nylon 66 94V-2
Insulation Resistance:	100M ohms min at 500VDC	Spring:	Steel Wire
Initial Contact Resistance:	0.020 ohms max	Contacts:	Silver Alloy
Temperature Range:	-20°C to + 65°C	Movable Arm:	Copper Alloy
		Terminals:	Tin-Plated Copper Alloy

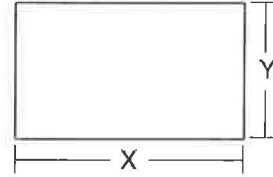
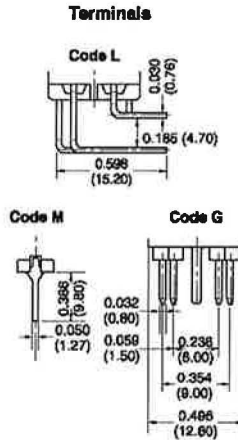
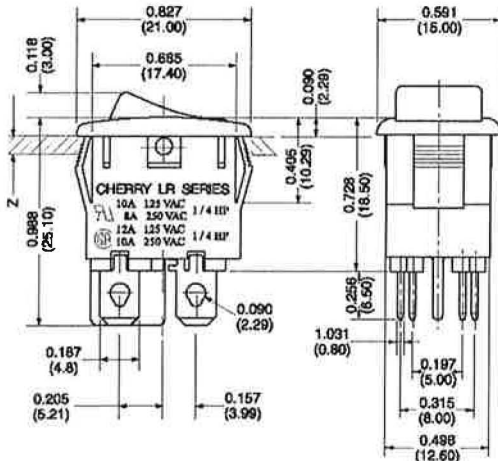


RoHS Compliant
UL File No: E23301

Specifications subject to change without notice.

Double-Pole Rocker Switch LR Series

Dimensions (inches)



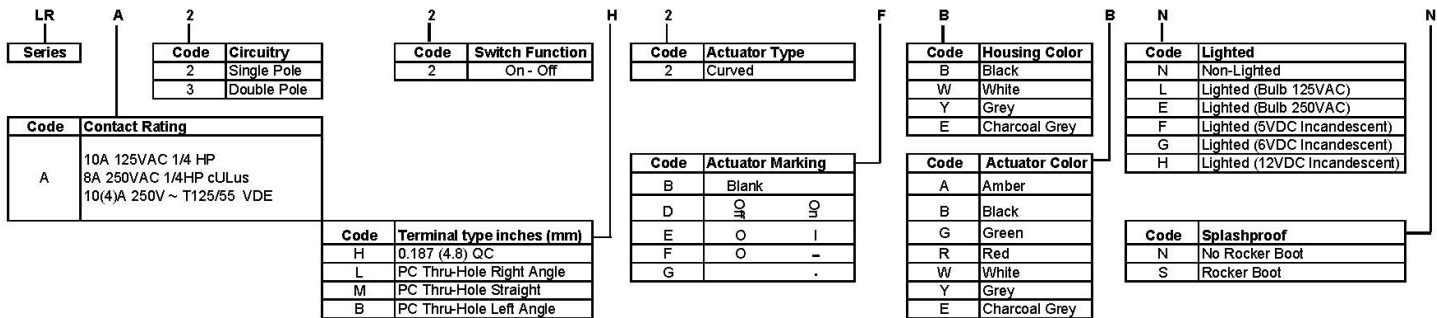
Z = Panel Thickness

Recommended Panel Cut-Out Dimensions

inches (mm)

Dim. Z	Dim. X	Dim. Y
0.030 to 0.049 (0.75 to 1.25)	0.752 (19.10)	0.508 (12.90)
0.049 to 0.079 (1.25 to 2.00)	0.760 (19.30)	0.508 (12.90)
0.079 to 0.118 (2.00 to 3.00)	0.775 (19.69)	0.508 (12.90)

Ordering Information



Examples of Common Part Numbers and Descriptions inches (mm)

Part Number	Circuitry	Switch Function	Terminal Type	Actuator/Housing Color	Legend Marking
LRA2H2FBBNN		On - Off	0.187 (4.8) Quick-Connect	Black/Black	
LRA3H2FBBNN		On - Off	0.187 (4.8) Quick-Connect	Black/Black	
LRA2H2BBBNN		On - Off	0.187 (4.8) Quick-Connect	Black/Black	
LRA3H2BBBNN		On - Off	0.187 (4.8) Quick-Connect	Black/Black	
LRA2H2BBRLN		On - Off/Lighted	0.187 (4.8) Quick-Connect	Red/Black	
LRA3H2BBRLN		On - Off/Lighted	0.187 (4.8) Quick-Connect	Red/Black	

Boat #0015-0644

Contact

Call, fax or visit our Website for more information.

ZF Electronics Corporation
11200 88th Avenue
Pleasant Prairie, WI 53158

Phone: 262.942.6500
Web: www.cherrycorp.com
Email: cep_sales@zf.com
Fax: 262.942.6566

The manufacturer accepts no liability for errors or non-availability, and reserves the right to change specifications without prior notice.

Technical data relates to product specifications only. Features may differ from those described. Only drawings combined with product specifications shall be deemed binding.

© 2007 ZF Electronics Corporation
Last Updated: 10/01/12

