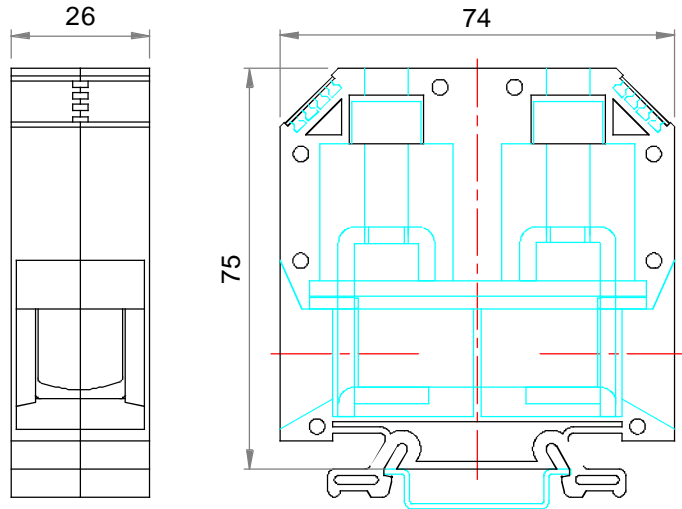


Part number description :

10134257-XXXLF

- ▶ LF: Lead Free, RoHs compliant, see note
- ▶ XXX : Color ref or/and version



PN	Colour	Version
10134257-001LF	grey	
10134257-002LF	blue	
10134257-003LF	yellow-green	
10134257-004LF	yellow	

TECHNICAL DATA / DIMENSIONS

Dimensions	
Width mm	26.0
Length mm	74.0
Height mm	75.0
Mounting type (EN 60715)	Omega TH35
Technical data	
Maximum load current	192A
Insulating material	PA
Self-extinguishing degree acc. to UL94	V2
Rated surge voltage	6kV
Pollution degree	3
Surge voltage category	III
Insulating material group	I
Nominal Voltage	800V
Nominal Current	192A
Connection data	
Conductor cross-section solid min/max	5 / 70 mm ²
Conductor cross-section stranded min/max	5 / 70 mm ²
AWG min/max	4-3/0AWG
Max conductor cross-section stranded with ferrule with plastic sleeve	-
Stripping length	max 20 mm
Screw – recessed Allen screw	M8 – Ch6
Tightening torque	4.5Nm / 40 Lb-In

Note : THIS PRODUCT MEETS EUROPEAN UNION DIRECTIVES AND OTHER COUNTRY REGULATIONS AS PER GS-47-0004

APPROVALS



RINA

AWG 4-3/0 – 600V – 185A EN60947-7-1 70mm² – 800V – 192A

ACCESSORIES

Item	Description
Marking	
10134398-001LF	Blank single-digit marking tags
10134398-002LF 10134398-011LF	Printed single-digit marking tags numbered : 1÷0
10134398-012LF 10134398-041LF	Printed single-digit marking tags with letter: A÷Z
10134399-001LF	Marking tag adapter
10134401-001LF	Blank Marking tags

DIN RAIL system - Mounting and Installation material

10134392-001LF	Steel Omega Rail TH35x7,5mm -2mt length
10134393-001LF	Slotted Steel Omega Rail TH35x7,5mm -2mt length
10134394-001LF	Steel Omega Rail TH35x15mm -2mt length
10134395-001LF	Slotted Steel Omega Rail TH35x15mm -2mt length
10134387-001LF	Angled support bracket
10134389-001LF	End Bracket for TH35 Omega rail -Width 9mm
10134390-001LF	End Bracket for TH35 Omega rail -Width 6mm
10134391-001LF	Fast-snap End Bracket for TH35 Omega rail

spec ref	tolerance std	ISO 406	ISO 1101	ISO 1302	dr	Aymeric Saoudy	11-06-2015	projection	MM	size	A3	scale	1:1	
		TOLERANCES UNLESS OTHERWISE SPECIFIED			eng	Aymeric Saoudy	11-06-2015		← MM →	ecn no		rel level		
					chr					product family		DIN Terminal Block		
					appr	Aymeric Saoudy	11-06-2015							
					surface	✓			title		10134257		rev	A
					linear	0.X ± 0.3	FCJ		dwg no					
					angular	0° ± 2°	www.fcj.com		cat. no.					
									Product customer drawing				sheet 1 of 1	



Copyright FCJ