

THIS DRAWING IS UNPUBLISHED.

RELEASED FOR PUBLICATION

© COPYRIGHT BY

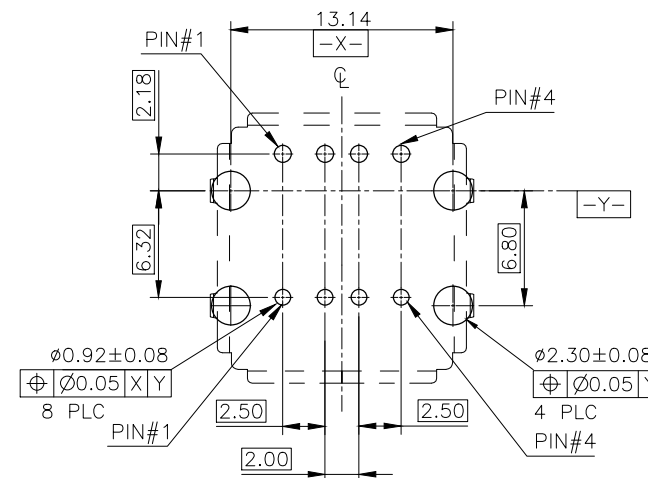
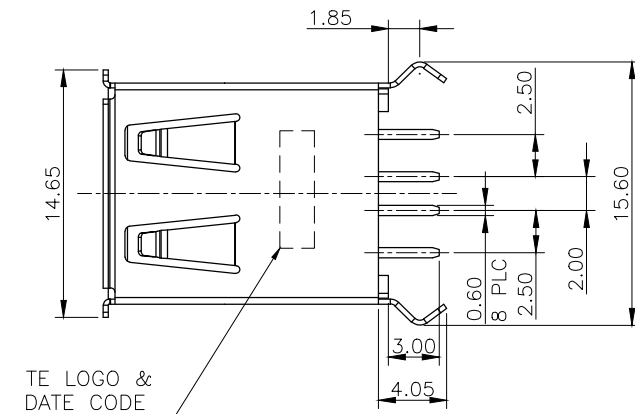
ALL RIGHTS RESERVED.

LOC DW

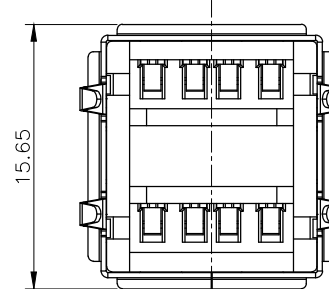
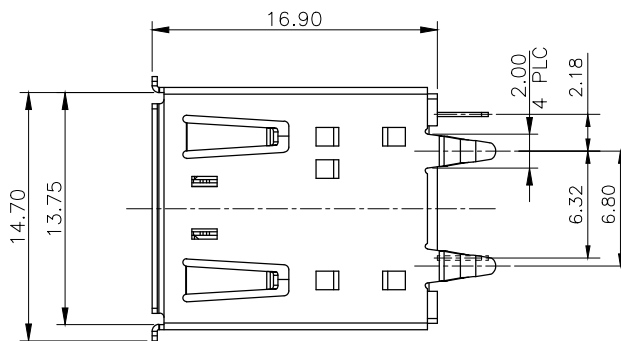
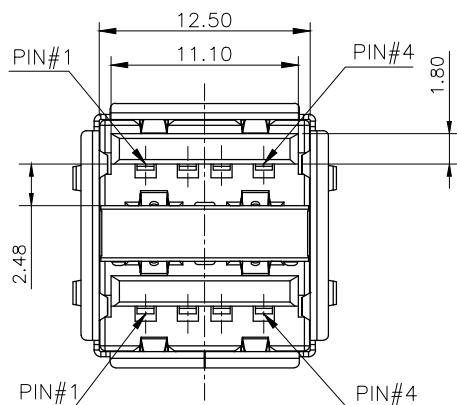
DIST

REVISIONS

P	LTR	DESCRIPTION	DATE	DWN	APVD
B3		REVISED (ECR-14-006687)	05FEB15	S.C	H.L



RECOMMEND P.C.B LAYOUT THICKNESS=1.6mm  
(COMPONENT SIDE) TOLERANCES:0.05mm



NOTES:

- MATERIAL:  
HOUSING: (SEE TABLE) WITH 30% GF, UL 94V-0, BLACK COLOR  
CONTACT: BRASS, (t=0.25±0.05mm).  
SHIELD: BRASS, (t=0.30±0.05mm).  
GROUNDING STRIP: SUS. (T=0.20±0.05mm).
- FINISH :  
CONTACT: (SEE TABLE) GOLD PLATING ON CONTACT AREA,  
3.048µm [120µ"] MIN. BRIGHT TIN PLATING ON SOLDER TAILS  
1.27µm [50µ"] MIN. NICKEL UNDERPLATING ALL OVER.  
SHIELD: 0.762µm [30µ"] MIN. NICKEL PLATING OVER  
2.54µm [100µ"] MIN Cu.
- WAVE SOLDER CAPABLE TO 265°C PER TEST SPEC.  
109-202, CONDITION B.
- REFLOW SOLDER CAPABLE TO 260°C PER TE CONNECTIVITY TEST SPEC.  
109-201, CONDITION B.

OBSOLETE PARTS

PA9T	50µ"	1-1775066-3
	30µ"	1-1775066-2
	G/F	1-1775066-1
PBT	50µ"	1775066-3
	30µ"	1-1775066-2
	G/F	1775066-1
HSG. MATERIAL	GOLD PLATING	PART NUMBER

THIS DRAWING IS A CONTROLLED DOCUMENT.		DWN F. YANG 20MAR2009	TE Connectivity													
DIMENSIONS: MM		CHK S. CHIEN 20MAR2009														
TOLERANCES UNLESS OTHERWISE SPECIFIED:		APVD W. KODAMA 20MAR2009	NAME													
<table border="1"> <tr><td>0 PLC</td><td>± -</td></tr> <tr><td>1 PLC</td><td>± 0.25</td></tr> <tr><td>2 PLC</td><td>± 0.20</td></tr> <tr><td>3 PLC</td><td>± -</td></tr> <tr><td>4 PLC</td><td>± -</td></tr> <tr><td>ANGLES</td><td>± 3'</td></tr> </table>		0 PLC	± -	1 PLC	± 0.25	2 PLC	± 0.20	3 PLC	± -	4 PLC	± -	ANGLES	± 3'	PRODUCT SPEC 108-57505	USB CONNECTOR, STACKED, VERTICAL, DIP, A TYPE	
0 PLC	± -															
1 PLC	± 0.25															
2 PLC	± 0.20															
3 PLC	± -															
4 PLC	± -															
ANGLES	± 3'															
MATERIAL SEE NOTE		QUALIFICATION TEST REPORT 501-57611	SIZE A3	CAGE CODE 00779	DRAWING NO C=1775066											
FINISH SEE NOTE		WEIGHT 4.57 GRAMS	RESTRICTED TO													
		CUSTOMER DRAWING	SCALE	SHEET 1 of 2	REV B3											

THIS DRAWING IS UNPUBLISHED.

RELEASED FOR PUBLICATION

ALL RIGHTS RESERVED.

© COPYRIGHT BY

LOC DW

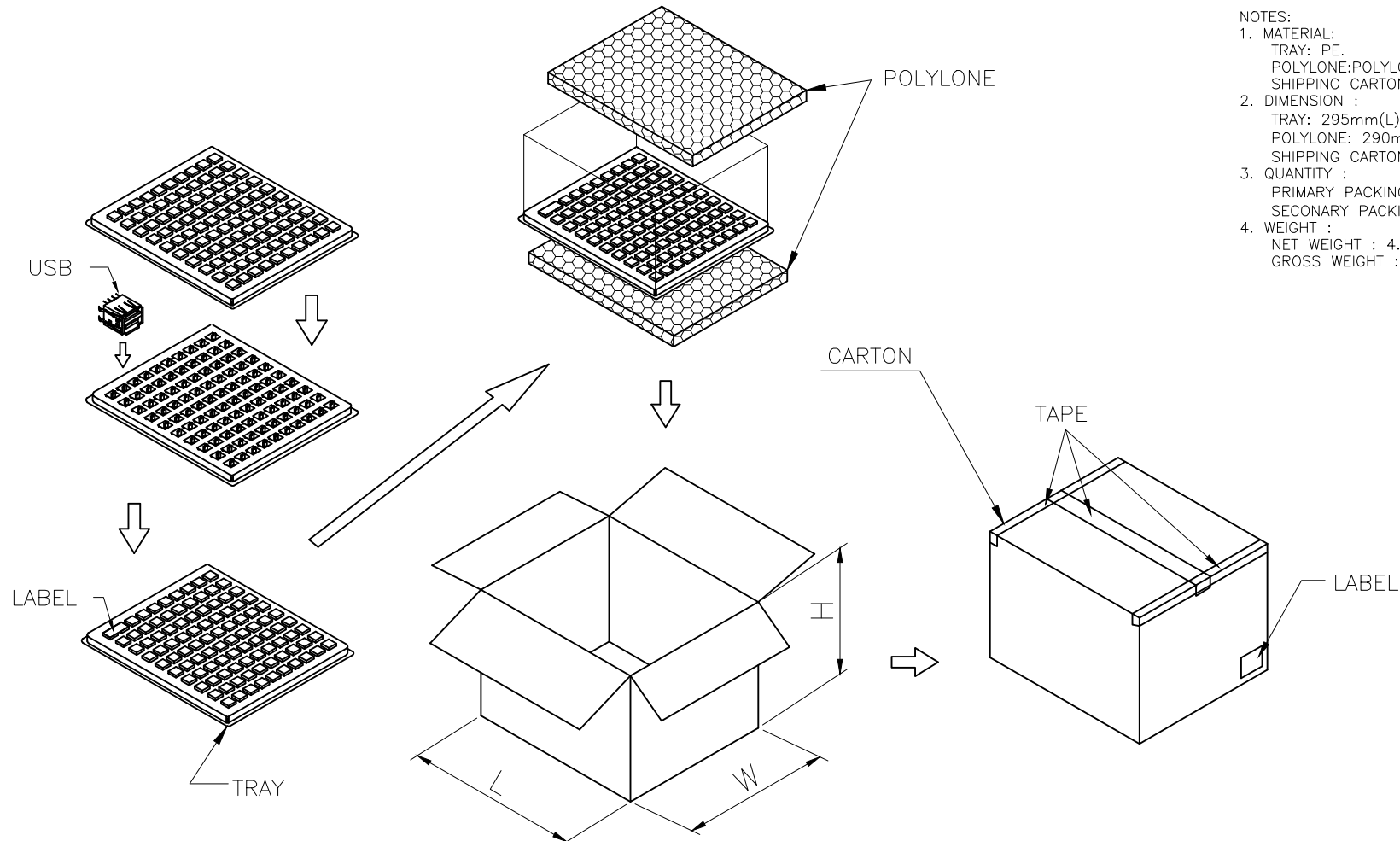
DIST

REVISIONS

P	LTR	DESCRIPTION	DATE	DWN	APVD
-		SEE SHEET 1			

NOTES:

- MATERIAL:  
TRAY: PE.  
POLYLONE: POLYLONE  
SHIPPING CARTON: CORRUGATED FIBER.
- DIMENSION :  
TRAY: 295mm(L)X 255mm(W)X 19mm(H)  
POLYLONE: 290mm(L)X 250mm(W)X 20mm(H)  
SHIPPING CARTON: 315mm(L)X 260mm(W)X 220mm(H)
- QUANTITY :  
PRIMARY PACKING: 100 PCS/TRAY  
SECONDARY PACKING: 10 TRAYS/CARTON(1000PCS).
- WEIGHT :  
NET WEIGHT : 4.57 KG  
GROSS WEIGHT : 6.63 KG



THIS DRAWING IS A CONTROLLED DOCUMENT.		DWN	<b>STE</b> TE Connectivity	
DIMENSIONS: MM		CHK		
TOLERANCES UNLESS OTHERWISE SPECIFIED:		APVD	NAME	
0 PLC ± -		PRODUCT SPEC	USB CONNECTOR, STACKED, VERTICAL, DIP, A TYPE	
1 PLC ± -		QUALIFICATION TEST REPORT	SIZE	RESTRICTED TO
2 PLC ± -		WEIGHT	A3	
3 PLC ± -		CUSTOMER DRAWING	CAGE CODE	DRAWING NO
4 PLC ± -			00779	C=1775066
ANGLES ± -			SCALE	SHEET 2 of 2
MATERIAL SEE NOTE	FINISH SEE NOTE			REV B3