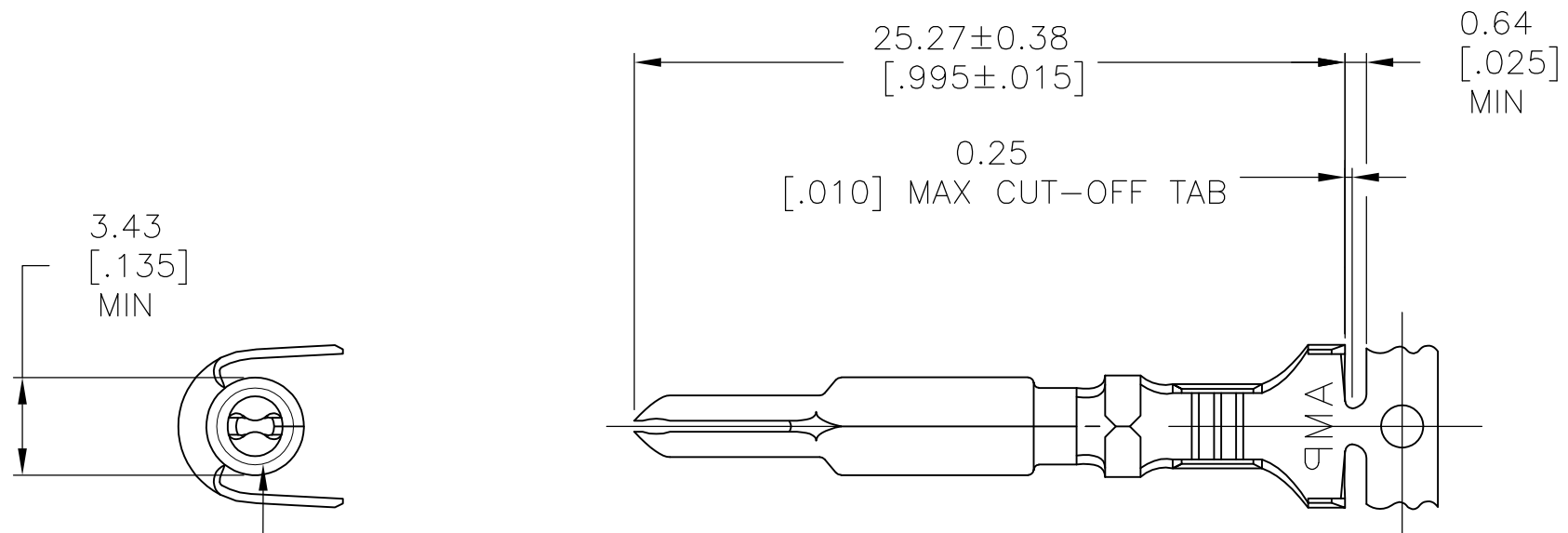
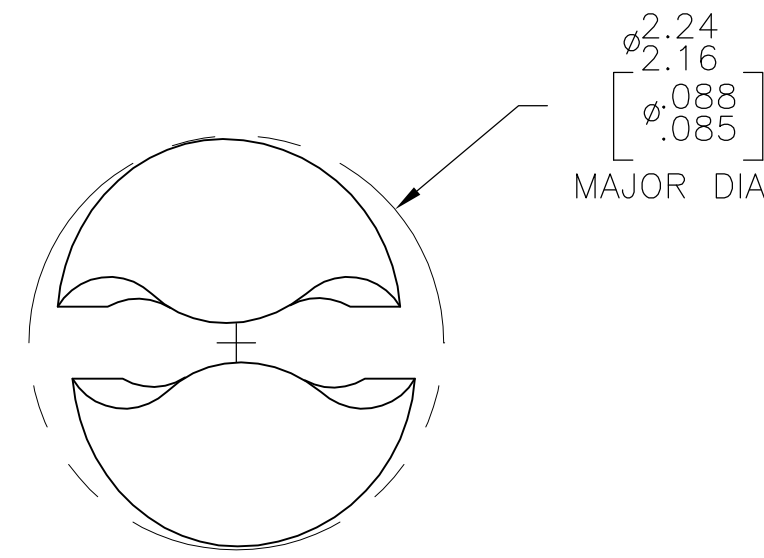
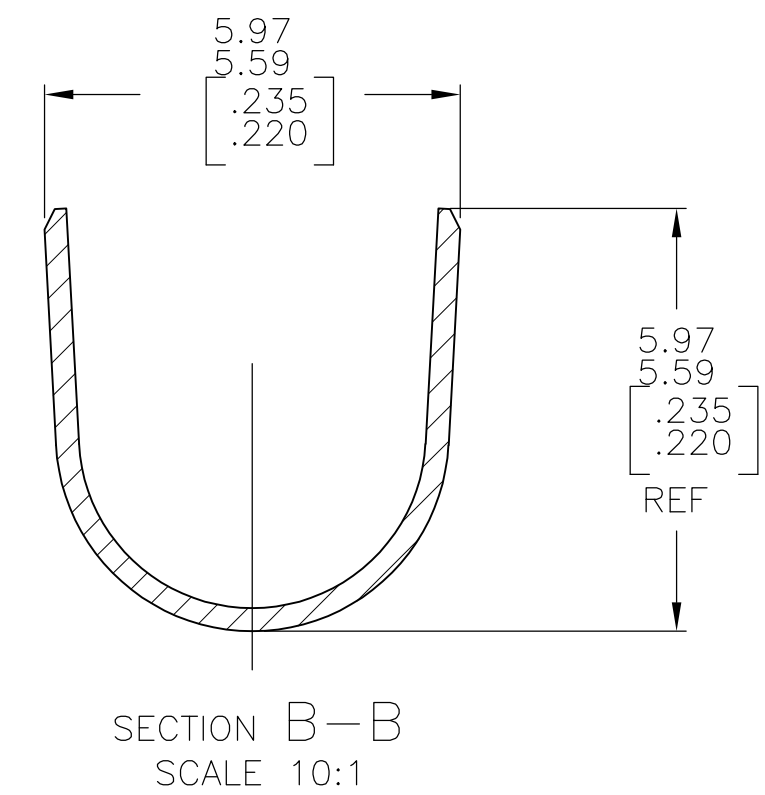
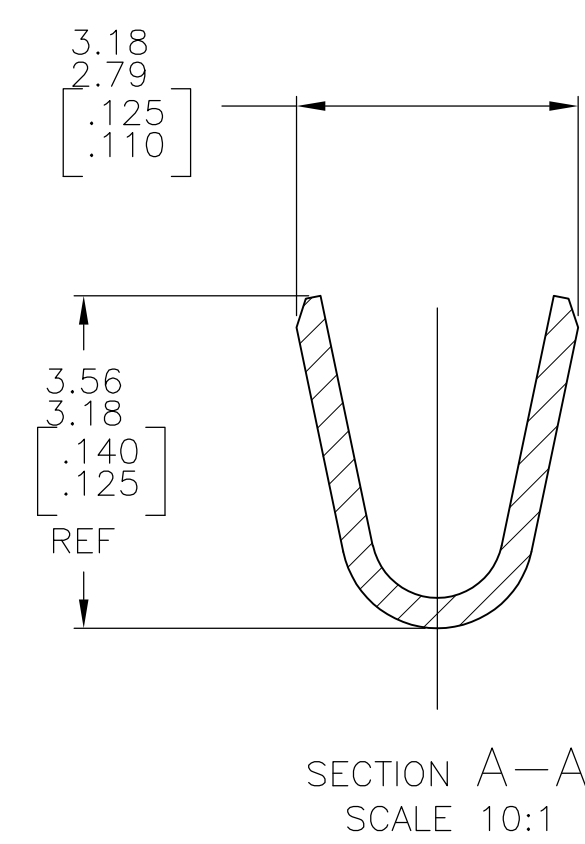
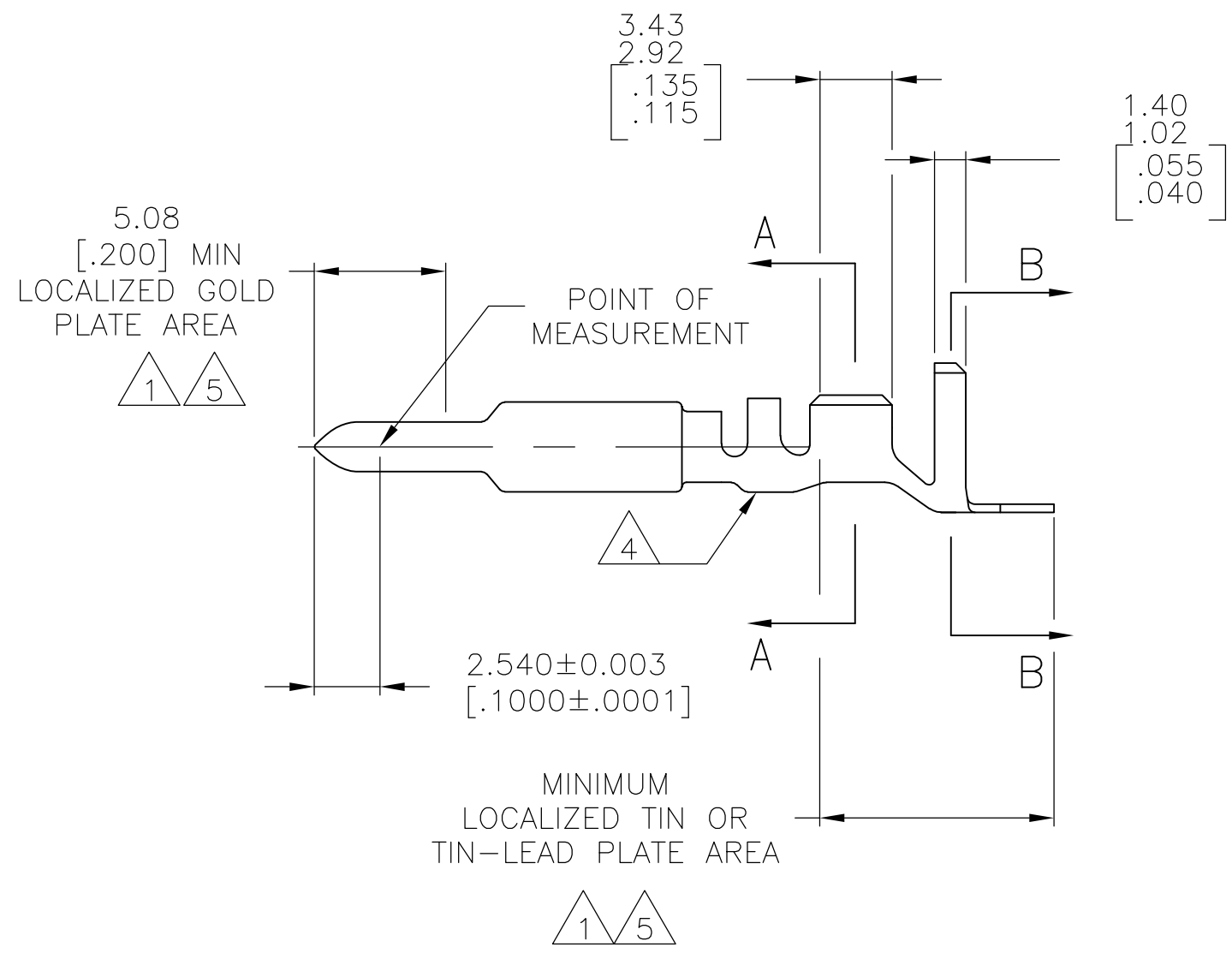


THIS DRAWING IS UNPUBLISHED. RELEASED FOR PUBLICATION
 © COPYRIGHT BY TYCO ELECTRONICS CORPORATION. ALL RIGHTS RESERVED.

LOC	DIST	REVISIONS					
CM	00	P	LTR	DESCRIPTION	DATE	DWN	APVD
		L		REVISED PER ECO-09-025490	17NOV09	HMR	MS



SEE DETAIL A



DETAIL A
SCALE 20:1

METRIC

- 1 0.00076[.000030] MIN GOLD AT POINT OF MEASUREMENT IN THE LOCALIZED GOLD PLATE AREA, 0.00127[.000050] MIN TIN-LEAD IN TIN-LEAD PLATE AREA, 0.00127[.000050] MIN NICKEL UNDERPLATE ON ENTIRE CONTACT.
- 2 WIRE RANGE: 0.5-2mm² [20-14 AWG] INSULATION RANGE: 3.30-5.08 [.130-.200] DIA.
- 3 DIMENSIONS IN BRACKETS ARE IN INCHES.
- 4 LETTER "P" STAMPED IN THIS LOCATION.
- 5 0.00076[.000030] MIN GOLD AT POINT OF MEASUREMENT IN THE LOCALIZED GOLD PLATE AREA, 0.00127[.000050] MIN TIN IN TIN PLATE AREA, 0.00127[.000050] MIN NICKEL UNDERPLATE ON ENTIRE CONTACT.

4	GOLD	5	0.30 [.012] PH BRZ	1-770005-1
	GOLD	5	0.30 [.012] BRASS	1-770005-0
4	GOLD	1	0.30 [.012] PH BRZ	770005-4
4	PRE-TIN		0.30 [.012] PH BRZ	770005-3
	GOLD	1	0.30 [.012] BRASS	770005-2
	PRE-TIN		0.30 [.012] BRASS	770005-1
	FINISH		MATERIAL	PART NUMBER

THIS DRAWING IS A CONTROLLED DOCUMENT.

DWN S. CARPENTER 20MAY03	Tyco Electronics Corporation Harrisburg, PA 17105-3608				
CHK C. JONES 20MAY03					
APVD C. JONES 20MAY03					
PRODUCT SPEC					
APPLICATION SPEC	NAME				
MATERIAL SEE TABLE	FINISH SEE TABLE	SIZE A2	CAGE CODE 00779	DRAWING NO C=770005	RESTRICTED TO
CUSTOMER DRAWING		SCALE 4:1	SHEET 1 OF 1	REV L	