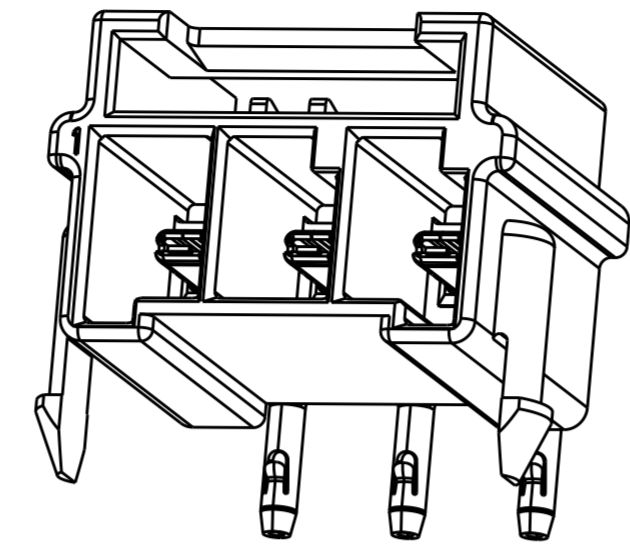
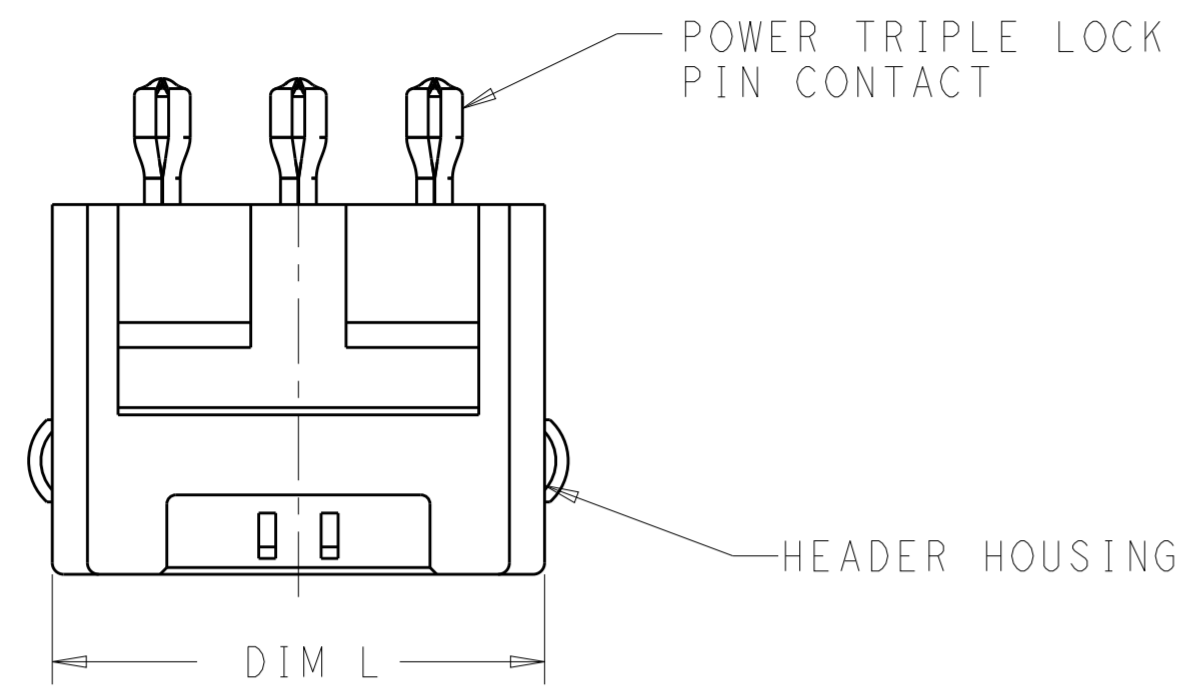
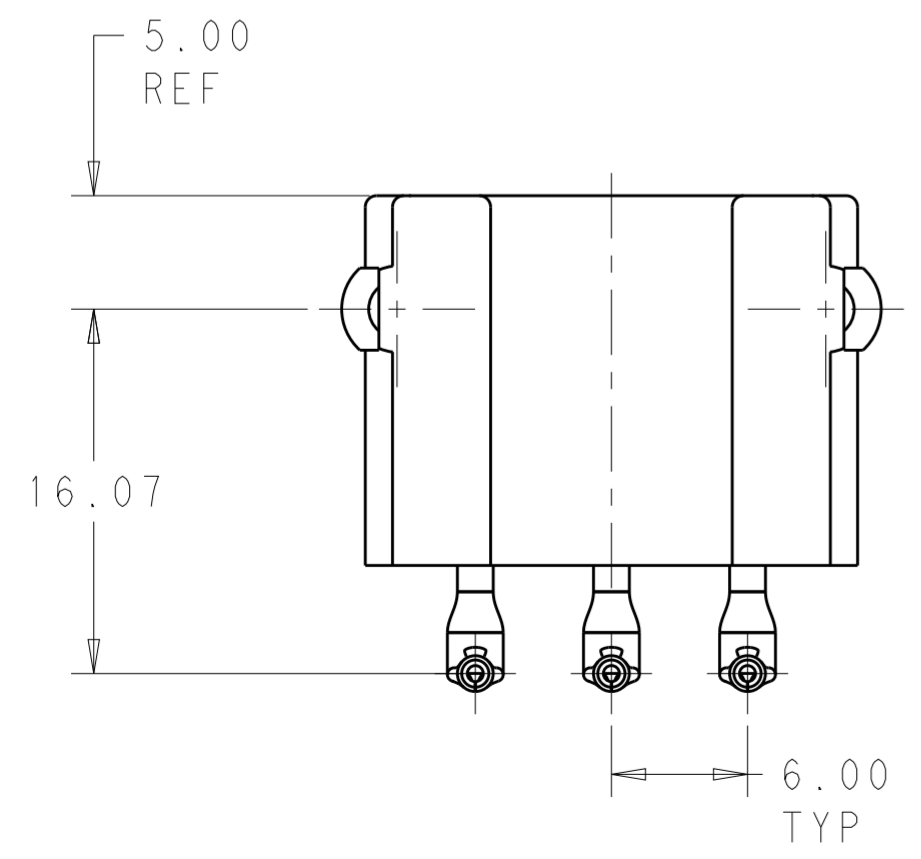
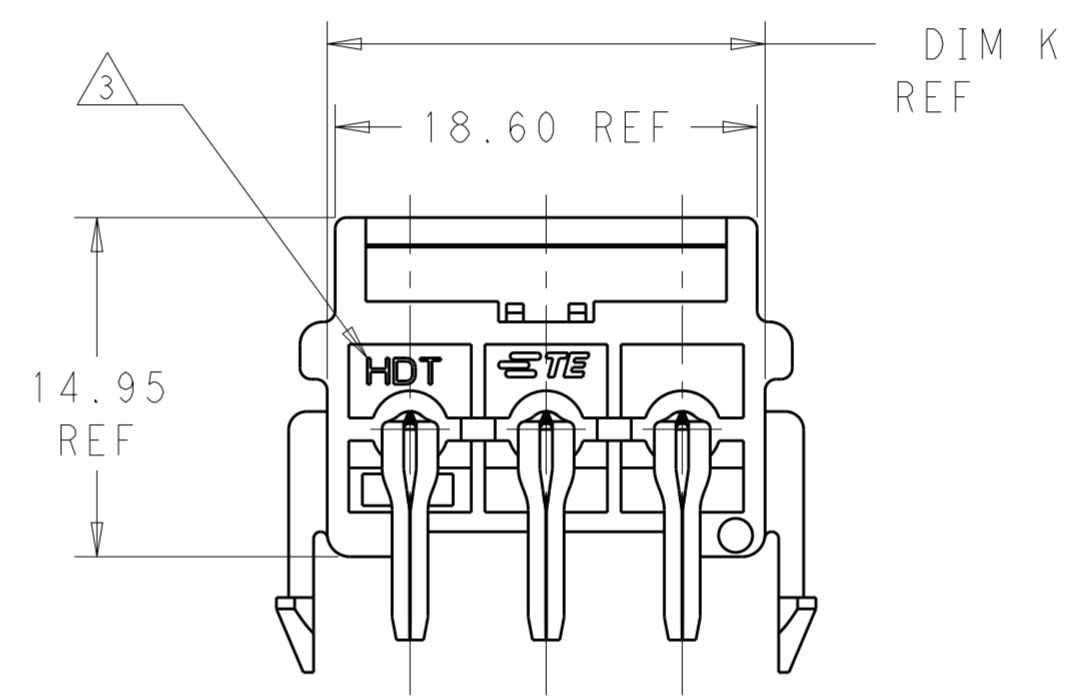
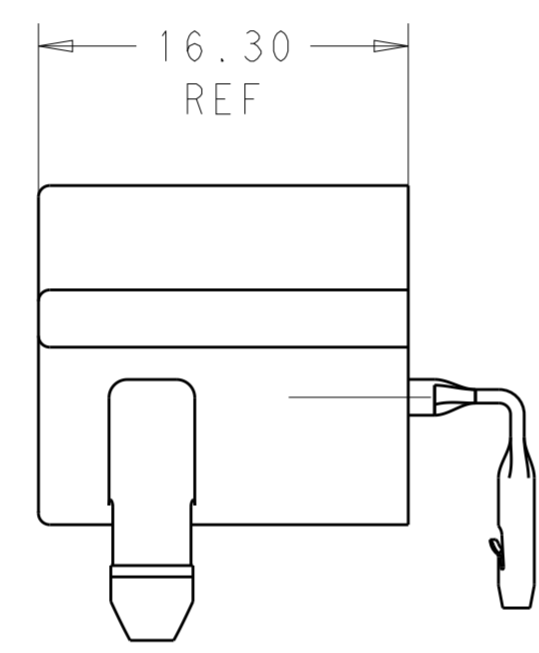
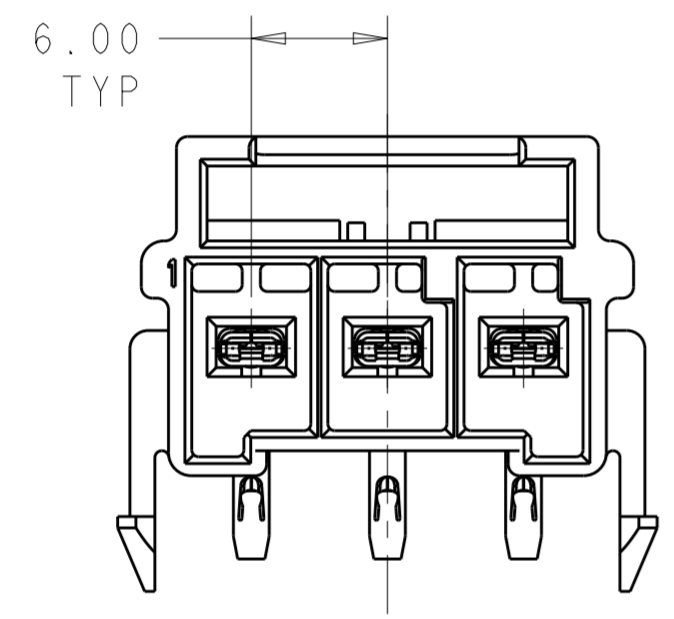


THIS DRAWING IS UNPUBLISHED. RELEASED FOR PUBLICATION  
 © COPYRIGHT copyright.d8Te- ALL RIGHTS RESERVED.

REVISIONS				
P	LTR	DESCRIPTION	DATE	APVD
A		RELEASED	09DEC2016	RS GJ
A1		REVISED PER ECR-18-011580	24JUL2018	BKW GJ



- 1 CAN BE SECURED TO THE PLUG WITH OPTIONAL CPA P/N 1971789-1.
- 2 FLAMMABILITY RATED PER UL 94 V-0.
- 3 LEVEL INDICATOR: PBT = STANDARD TEMP/105°C PBT GLASS FILLED  
HDT = HIGH TEMP 150°C NYLON
- 4 PARTS COMPLY WITH SOLDERABILITY SPEC TEC-109-11-11-1
- 5 DATUM AND BASIC DIMENSION ESTABLISHED BY CUSTOMER.
- 6 THIS PRODUCT HAS NOT COMPLETED VALIDATION TESTING.
- 7 REFER TO DRAWING C1969884 FOR GLOW WIRE EQUIVALENTS IF REQUIRED



5-1971773-7	COPPER ALLOY	NYLON 150°C	5	30.55	27.28	33.7	31.3	LIGHT GREY	A	1-1969694-5
5-1971773-4			4	24.55	21.28	27.7	25.3	LIGHT GREY	A	1-1969694-4
5-1971773-3			3	18.55	15.28	21.7	19.3	LIGHT GREY	A	1-1969694-3
5-1971773-2			2	12.55	9.28	15.7	13.3	LIGHT GREY	A	1-1969694-2
1-1971773-7	COPPER ALLOY	PBT 105°C	5	30.55	27.28	33.7	31.3	NATURAL	A	1969694-5
1-1971773-4			4	24.55	21.28	27.7	25.3	NATURAL	A	1969694-4
1-1971773-3			3	18.55	15.28	21.7	19.3	NATURAL	A	1969694-3
1-1971773-2			2	12.55	9.28	15.7	13.3	NATURAL	A	1969694-2
MATING PLUG	CONTACT MATERIAL	HOUSING MATERIAL	NO. OF POSITIONS	DIM H	DIM P	DIM L	DIM K	COLOR	KEY	PART NUMBER

SEE SHEET 2 FOR PCB HOLE PATTERN

THIS DRAWING IS A CONTROLLED DOCUMENT.

DWN: JR RUTH 24-Jul-18  
 CHK: DOMINIC FAROLE 19SEPT14  
 APVD: DOMINIC FAROLE 19SEPT14

NAME: ASSEMBLY, POWER TRIPLE LOCK, RIGHT ANGLE HEADER

PRODUCT SPEC: 108-32090  
 APPLICATION SPEC: 114-32136

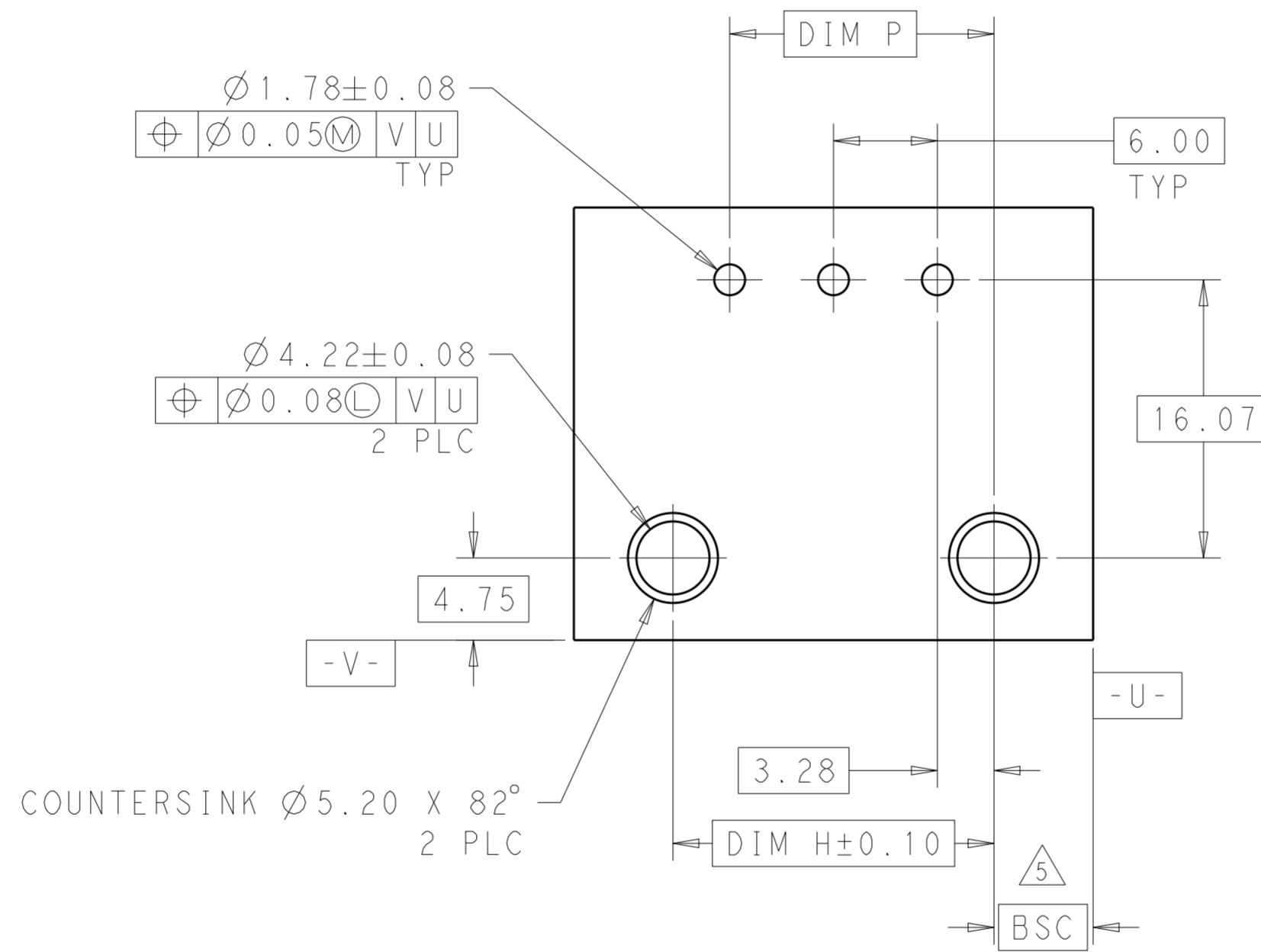
MATERIAL: SEE TABLE  
 FINISH: PRE-TIN

SCALE: 3:1  
 SHEET 1 OF 2  
 REV A1

RESTRICTED TO: -

THIS DRAWING IS UNPUBLISHED. RELEASED FOR PUBLICATION  
 © COPYRIGHT copyright.d8te- ALL RIGHTS RESERVED.

REVISIONS				
P	LTR	DESCRIPTION	DATE	APVD
-		SEE SHEET 1	-	-



RECOMMENDED PCB LAYOUT  
 WITH A 1.58 THK BOARD

3 POSITION SHOWN

THIS DRAWING IS A CONTROLLED DOCUMENT.		DWN JR RUTH 24-Jul-18	TE Connectivity															
DIMENSIONS: mm		CHK DOMINIC FAROLE 19SEPT14																
TOLERANCES UNLESS OTHERWISE SPECIFIED:		APVD DOMINIC FAROLE 19SEPT14	NAME ASSEMBLY, POWER TRIPLE LOCK, RIGHT ANGLE HEADER															
<table border="0"> <tr> <td>0 PLC</td> <td>±</td> </tr> <tr> <td>1 PLC</td> <td>±</td> </tr> <tr> <td>2 PLC</td> <td>±0.13</td> </tr> <tr> <td>3 PLC</td> <td>±0.20</td> </tr> <tr> <td>4 PLC</td> <td>±</td> </tr> <tr> <td>ANGLES</td> <td>±</td> </tr> <tr> <td>FINISH</td> <td></td> </tr> </table>		0 PLC	±	1 PLC	±	2 PLC	±0.13	3 PLC	±0.20	4 PLC	±	ANGLES	±	FINISH		PRODUCT SPEC 108-32090	SIZE A2	
0 PLC	±																	
1 PLC	±																	
2 PLC	±0.13																	
3 PLC	±0.20																	
4 PLC	±																	
ANGLES	±																	
FINISH																		
MATERIAL SEE TABLE		APPLICATION SPEC -	CAGE CODE -	DRAWING NO C-1969694														
FINISH PRE-TIN		WEIGHT -	RESTRICTED TO -															
		CUSTOMER DRAWING	SCALE 3:1	SHEET 2 OF 2														
				REV A1														