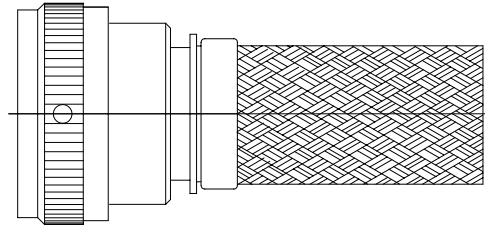


REVISIONS			
LTR	DESCRIPTION	DATE	APPROVED
C	REVISED PER ECN AD93088		



CODE 18, SHIELDED STRAIGHT ADAPTER

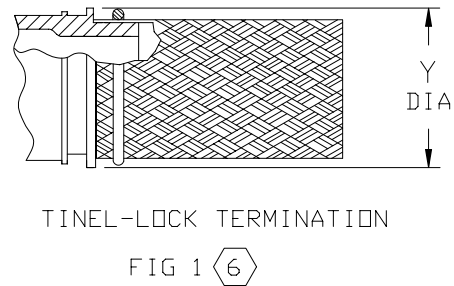
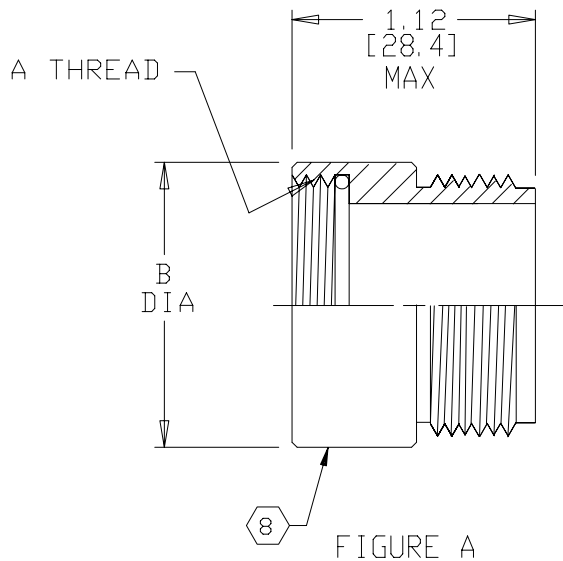
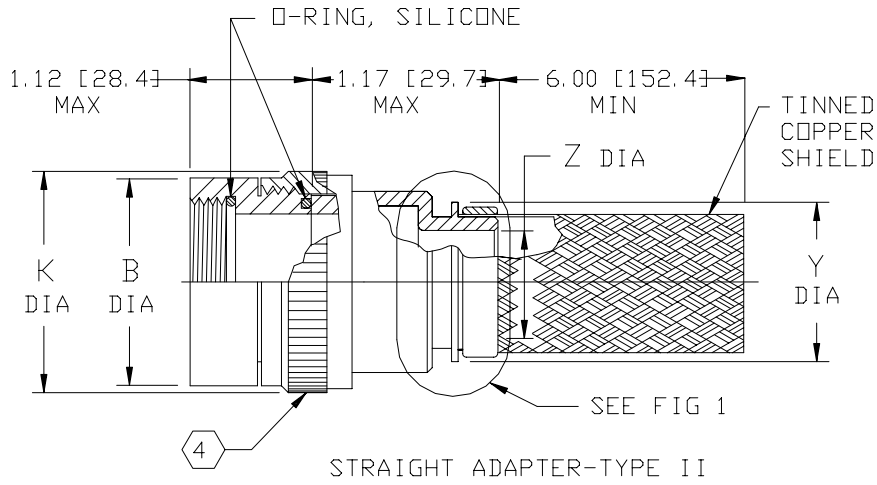
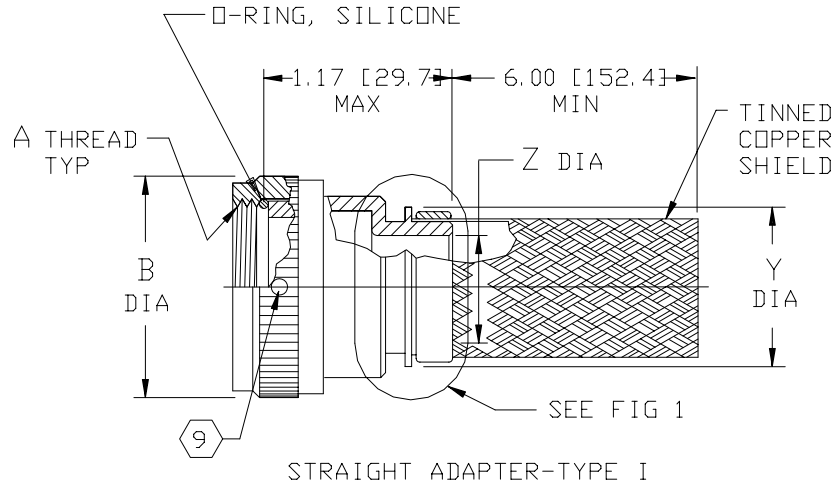
NOTES:

1. THIS PRODUCT IS DESIGNED TO TERMINATE A HEAT SHRINKABLE LIPPED BOOT TO A CONNECTOR.
2. FOR ADDITIONAL DIMENSIONS, ORDERING INFORMATION AND MODIFICATIONS, SEE CH00-0250-004.
3. ADAPTER TO BE PERMANENTLY MARKED WITH CODE IDENT. NO. AND PART NO. (E.G.: 06090-218M712-19B08).
- ④ FOR LARGER ENTRY SIZES, A 2 PIECE ADAPTER (TYPE II) IS SUPPLIED.
- ⑤ ADAPTER MATES TO MIL-C-5015D, CLASS A, E & R, MS3100, MS3101 & MS3106. RESILIENT INSERT, SOLDER TYPE & BENDIX 10-214, CANNON CA-RX COMMERCIAL CRIMP TYPE (LESS ENDBELL).
- ⑥ BRAID TERMINATION RING MAY BE SUPPLIED AS TINEL-LOCK SHAPE MEMORY RING AT MANUFACTURER'S OPTION.
- ⑦ ALL THREAD SIZES FOR ORDER NO. APPLY.
- ⑧ ADDITIONAL PIECE(S) SUPPLIED WHEN CONNECTOR MFR IS UNKNOWN ("D" IN TABLE III) AND ENTRY SIZE DOES NOT EXCEED VALUE IN TABLE I.
- ⑨ ANTI-ROTATIONAL SET SCREW, 3 THREADED HOLES 120° ± 5° APART, SINGLE MATING SET SCREW SUPPLIED: AN565DC4H2. NOT REQUIRED FOR TYPE II ADAPTERS.

If this document is printed it becomes uncontrolled.
Check for the latest revision.

SPECIFICATION CONTROL DRAWING

UNLESS OTHERWISE SPECIFIED DIMENSIONS ARE IN INCHES. METRIC DIMENSIONS ARE IN BRACKETS. DECIMALS .XXX ± — [mm] .XX ± — [mm] .X ± — [mm] ANGLES .X ± —	DRAW E. GOLDY	DATE 05-05-93		Tyco Electronics Corporation 300 Constitution Drive Menlo Park, CA. 94025 U.S.A.		
	CHECKED	DATE				
	APPROVED	DATE	TITLE			
	APPROVED	DATE	ADAPTER, SHIELD, STRAIGHT CODE 18			
	CAD NAME \ACAD12\218M7XX		SIZE	CODE IDENT. NO.	DWG. NO.	REV
THIRD ANGLE PROJECTION			A	06090	218M7XX	C
			DO NOT SCALE THIS DWG		SHEET 1 OF 4	



If this document is printed it becomes uncontrolled.
Check for the latest revision.

SIZE	CODE IDENT. NO.	DWG. NO.	REV
A	06090	218M7XX	C
DO NOT SCALE THIS DWG		CAD NAME \ACAD12\218M7X-2	SHEET 2 OF 4

TABLE I

BASE PART NUMBER	SHELL SIZE ⑤	MFR CODE TABLE II	MAX ENTRY SIZE TYPE 1 ④	A THREAD CLASS 2B	B DIA MAX
218M708	8S	B	04	.375-32 UNEF	.73 [18.5]
		C		.438-28 UNEF	
		A,R		.438-27 UNS	
		D ⑧		⑦	
218M710	10S	—	06	.500-28 UNEF	.79 [20.1]
218M711	10SL	C	07	.562-24 UNEF	.85 [21.6]
		A,B,R		.625-24 UNEF	.92 [23.4]
		D ⑧		⑦	.92 [23.4]
218M712	12&12S	B,C	08	.625-24 UNEF	.92 [23.4]
		A,R		.688-24 UNEF	.98 [24.9]
		D ⑧		⑦	.98 [24.9]
218M714	14&14S	—	10	.750-20 UNEF	1.04 [26.4]
218M716	16&16S	—	12	.875-20 UNEF	1.23 [31.2]
218M718	18	—	13	1.000-20 UNEF	1.35 [34.3]
218M720	20	A,B,C	16	1.125-18 UNEF	1.48 [37.6]
		R		1.125-24 UNS	
		D ⑧		⑦	
218M722	22	—	18	1.250-18 UNEF	1.60 [40.6]
218M724	24	—	20	1.375-18 UNEF	1.73 [43.9]
218M728	28	—	24	1.625-18 UNEF	2.10 [53.3]
218M732	32	B,C	24	1.875-16 UN	2.23 [56.6]
		A,R		1.906-18 UN	
		D ⑧		⑦	
218M736	36	B	28	2.062-16 UNS	2.48 [63.0]
		R		2.062-20 UNS	
		C		2.125-16 UN	
		A		2.125-18 UNS	
		D ⑧		⑦	
218M740	40	B	28	2.312-16 UNS	2.73 [69.3]
		A,C,R		2.375-16 UN	
		D ⑧		⑦	
218M744	44	—	28	2.625-16 UN	3.23 [82.0]
218M748	48	C	28	2.812-18 UNS	3.23 [82.0]
		A,R		2.875-16 UN	
		D ⑧		⑦	

If this document is printed it becomes uncontrolled.
Check for the latest revision.

SIZE A	CODE 06090	IDENT. NO.	DWG. NO. 218M7XX	REV C
DO NOT SCALE THIS DWG		CAD NAME \ACAD12\218M7X-3 SHEET 3 OF 4		

TABLE II

ENTRY SIZE	Z ±.020 [±0.51]	Y DIA MIN	K MAX
03	.188 [4.78]	.393 [9.98]	N/A
04	.250 [6.35]	.456 [11.58]	N/A
05	.312 [7.92]	.515 [13.08]	.80 [20.3]
06	.375 [9.53]	.581 [14.76]	.80 [20.3]
07	.438 [11.13]	.643 [16.33]	.92 [23.4]
08	.500 [12.70]	.705 [17.91]	.92 [23.4]
09	.562 [14.27]	.705 [17.91]	1.18 [30.0]
10	.625 [15.88]	.831 [21.11]	1.18 [30.0]
11	.688 [17.48]	.893 [22.68]	1.18 [30.0]
12	.750 [19.05]	.953 [24.21]	1.35 [34.3]
13	.812 [20.62]	.953 [24.21]	1.41 [35.8]
14	.875 [22.23]	1.081 [27.46]	1.41 [35.8]
15	.938 [23.83]	1.143 [29.03]	1.60 [40.6]
16	1.000 [25.40]	1.205 [30.61]	1.60 [40.6]
18	1.125 [28.58]	1.381 [35.08]	1.66 [42.2]
20	1.250 [31.75]	1.506 [38.25]	2.04 [51.8]
22	1.375 [34.93]	1.631 [41.43]	2.23 [56.6]
24	1.500 [38.10]	1.756 [44.60]	2.23 [56.6]
28	1.750 [44.45]	2.004 [50.90]	2.48 [63.0]

TABLE III

MFR CODE	CONNECTOR MANUFACTURER (MS 3100, MS 3101 & MS 3106)
A	AMPHENOL-CLASS A
B	BENDIX-CLASS A, E & R
C	CANNON-CLASS A, E & R
D	MFR UNKNOWN, CLASS A, E & R
R	AMPHENOL-CLASS R
-	MFR CODE NOT REQUIRED

If this document is printed it becomes uncontrolled.
Check for the latest revision.

SIZE A	CODE IDENT. NO. 06090	DWG. NO. 218M7XX	REV C
DO NOT SCALE THIS DWG		CAD NAME \ACAD12\218M7X-4	SHEET 4 OF 4