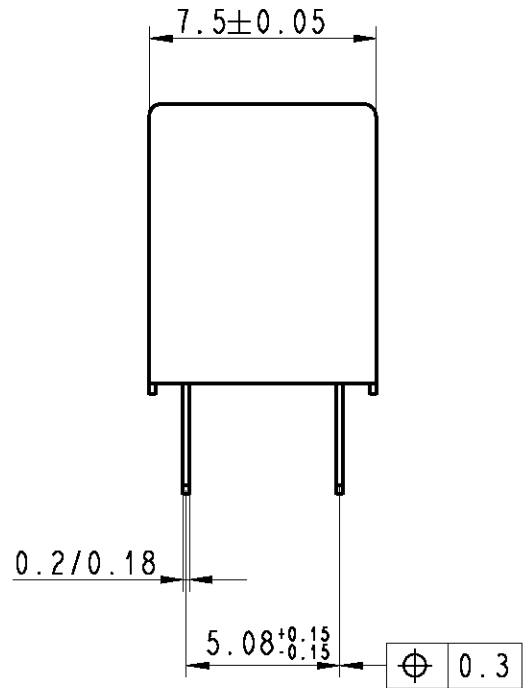
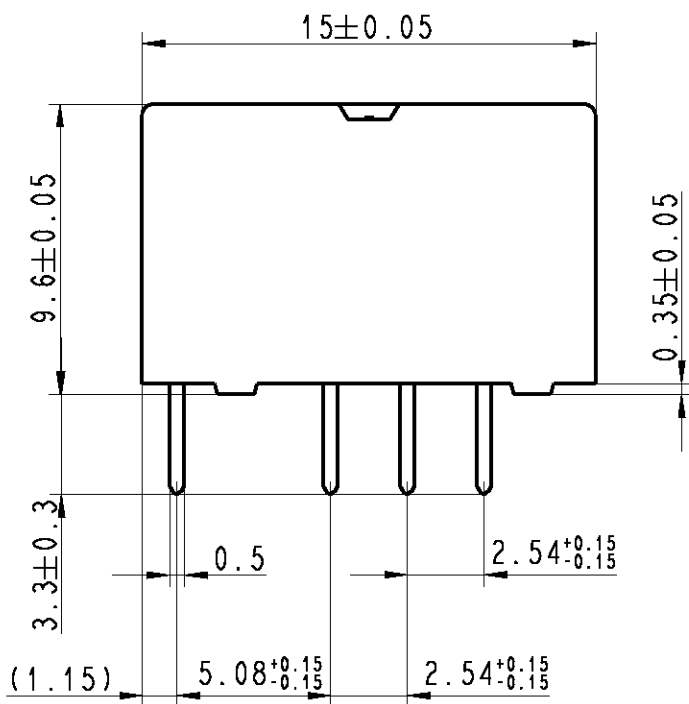
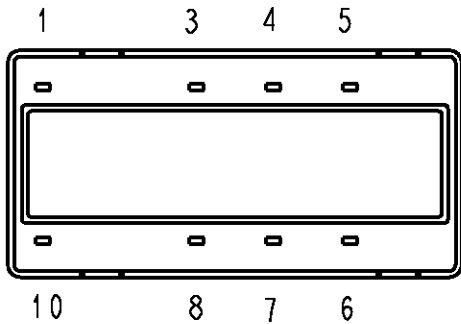


LOC	DIST	REVISIONS					
HJ	-	P	LTR	DESCRIPTION	DATE	DWN	APVD
		A5		REVISED PER ECO-11-005150	28MAR11	RK	HMR



AXICOM **FT2**
zzV= **Dxxxx**
YYWW

xxxx = Relay type
 zz = nominal voltage
 YYWW = Date code

DRAWING ALIAS D3701-DOK51

RELEASED FOR PUBLICATION

ALL RIGHTS RESERVED.

THIS DRAWING IS UNPUBLISHED.

© COPYRIGHT BY

DIMENSIONS: mm		DWN CW 9196 26Mar1998	MATERIAL -	FINISH -
TOLERANCES UNLESS OTHERWISE SPECIFIED: DIN 7168-m		CHK EG 9192 26Mar1998	TE Connectivity	
0 PLC ±- 1 PLC ±- 2 PLC ±- 3 PLC ±- 4 PLC ±- ANGLES ±-		APVD HD 9121 26Mar1998		
PRODUCT SPEC -		NAME FT2-Relay THT Dimensions		
APPLICATION SPEC -		SIZE A4	CAGE CODE 00779	DRAWING NO C-1462035-1
WEIGHT -		RESTRICTED TO -		
CUSTOMER DRAWING		SCALE 4:1	SHEET 1 OF 1	REV A5

