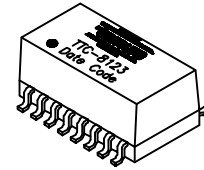


REV. Status  
PRELIMINARY  
01/09/01 LL



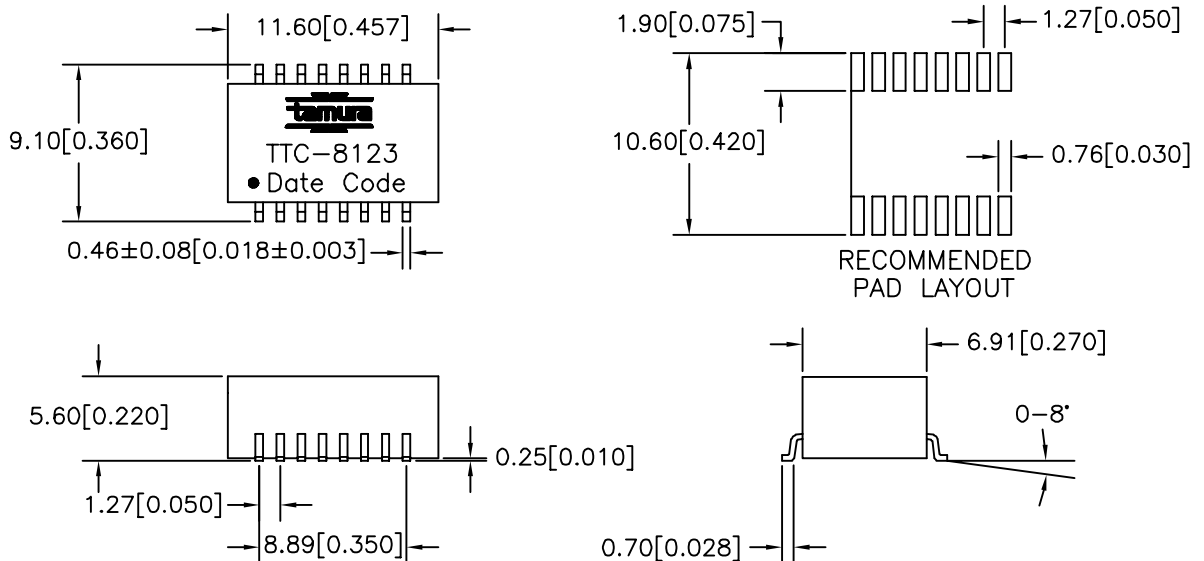
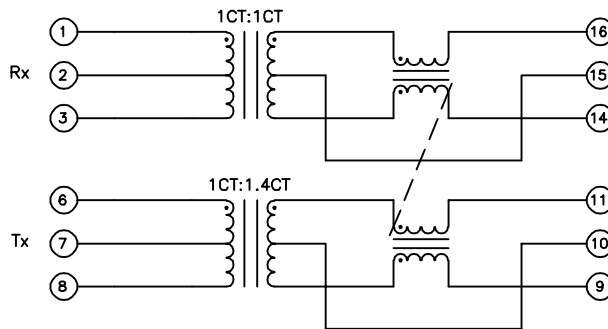
# 10 Base-T LAN Magnetic Module Single Port, 16 pin SMD

- Complies with IEEE 802.3 Standard
- Surface Mount Device withstands IR reflow profile process
- Operating temperature: 0°C to 70°C
- Enhanced Common Mode Attenuation



MODEL NUMBER  
**TTC-8123**

Electrical Specification @ 25°C				
DCR	OCL	Hipot	Leakage L	C <sub>ww</sub>
(Ω Max)	(μH Min)	(Vrms)	(μH Max)	(pF Max)
(1-3), (6-8)	100KHz 0.1Vrms	60 sec	100KHz 0.1Vrms	100KHz 0.1Vrms
0.3	200	1500	0.5	20



NOTE: Unless otherwise specified, all dimensions are mm[in] with tolerance of ±0.25[0.010]

PREPARED BY:

D. Rund

ENGINEER:

L. Le

QUALITY CONTROL:

D. Kelley

APPROVED:

J. Coleman

DWG CONTROL NO. P-A1-12705 ACAD\TTC\A1127051.DWG	REV PRE	10 Base-T LAN Magnetic Module Single Port, 16 pin SMD
CONTENTS OF THIS DRAWING ARE SUBJECT TO CHANGE WITHOUT PRIOR NOTICE		<b>TAMURA CORPORATION OF AMERICA</b> 43352 BUSINESS PARK DRIVE, TEMECULA, CA. 92590-6624 (909) 699-1270 FAX 9096769482

**TTC-8123**

MODEL SPECIFICATION

DIM: mm(In) SCL: none SH: 1 OF 1

PROPRIETARY NOTICE: THIS DRAWING PRINT OR DOCUMENT AND SUBJECT MATTER DISCLOSED HEREIN ARE PROPRIETARY ITEMS TO WHICH TAMURA RETAINS THE EXCLUSIVE RIGHT OF DISSEMINATION, REPRODUCTION, MANUFACTURE AND SALE. THIS DRAWING, PRINT OR DOCUMENT IS SUBMITTED IN CONFIDENCE FOR CONSIDERATION BY THE RECIPIENT ALONE UNLESS PERMISSION FOR FURTHER DISCLOSURE IS EXPRESSLY GRANTED IN WRITING.

REVISIONARY