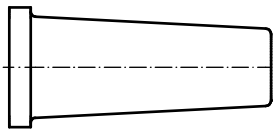


CABLE STRAIN RELIEF (1x)



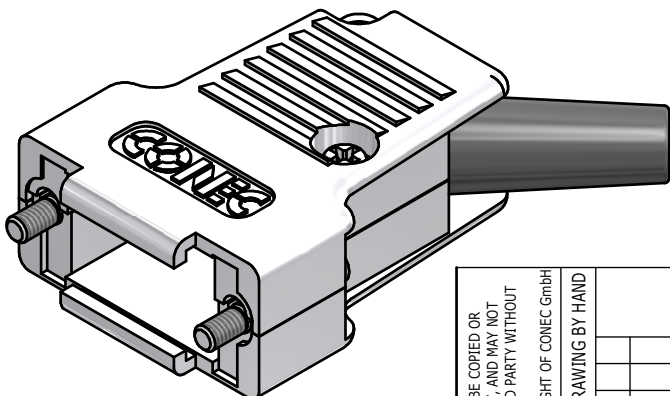
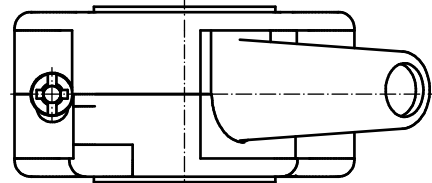
CABLE BUSHING (1x)



SHORT SCREW (2x)



LENS HEAD SCREW (4x)



NOTES:

1. METALHOOD: ZINC DIE CAST; NICKEL PLATED
2. CABLE STRAIN RELIEF: STEEL; NICKEL PLATED
3. CABLE BUSHING: RUBBER, BLACK
4. SHORT SCREWS: STEEL; NICKEL PLATED
5. LENS HEAD SCREW: STEEL; NICKEL PLATED

Directive 2011/65/EU RoHS compliant

THIS DRAWING MAY NOT BE COPIED OR REPRODUCED IN ANY WAY, AND MAY NOT BE PASSED ON TO A THIRD PARTY WITHOUT WRITTEN PERMISSION. OWNERSHIP AND COPYRIGHT OF CONEC GmbH

DO NOT ALTER CAD DRAWING BY HAND

rev.	description	date	name
a	Original		



tolerance	dim. in mm	scale:	2:1
		material:	SEE NOTES
date	name	title:	
drawn 05.06.2014	Heinrich	METAL HOOD	
appd. 05.06.2014	Lehmenkühler	9pos. EMI/RFI SHIELDING WITH SIDE CABLE EXIT with cable bushing, cable strain relief and jack screws	
norm		dwg no:	DIN-A3
d-old			sh: 1
		part no:	165X17609X