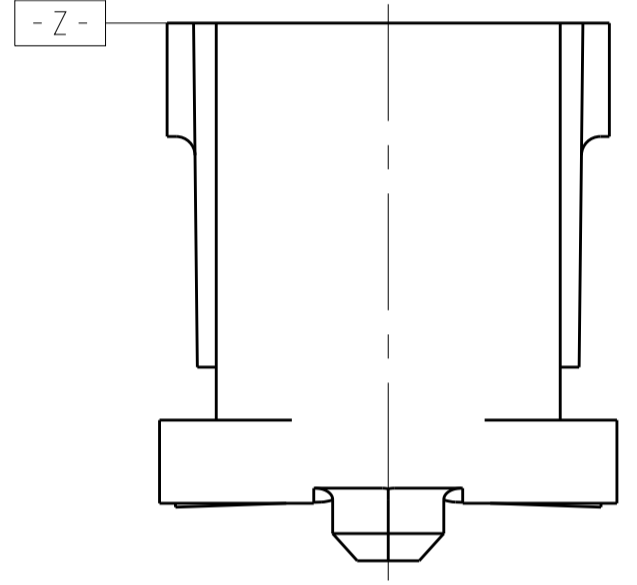
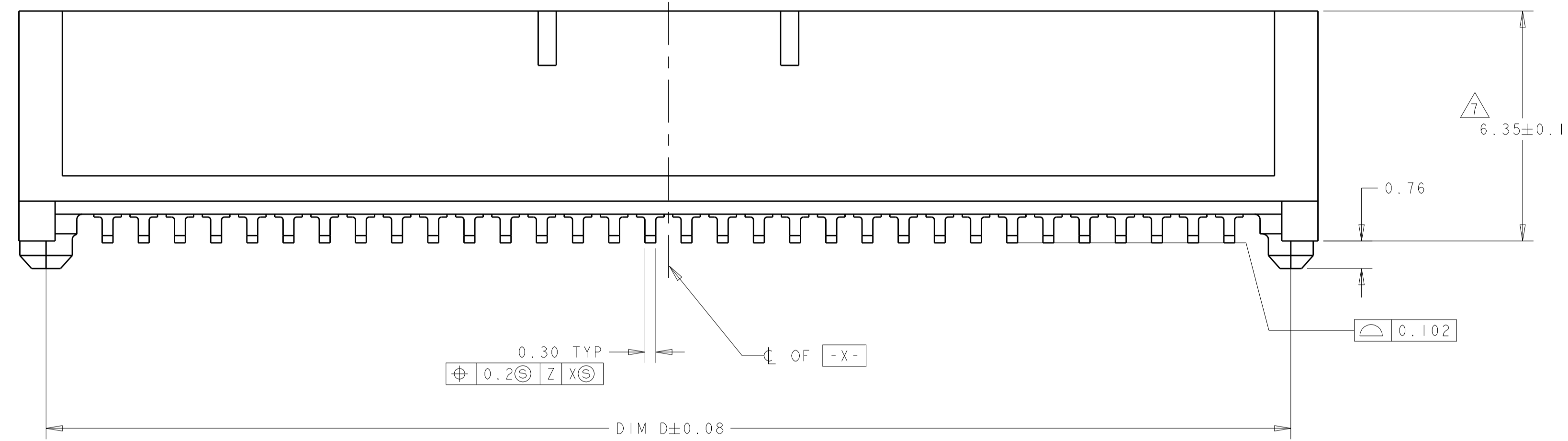
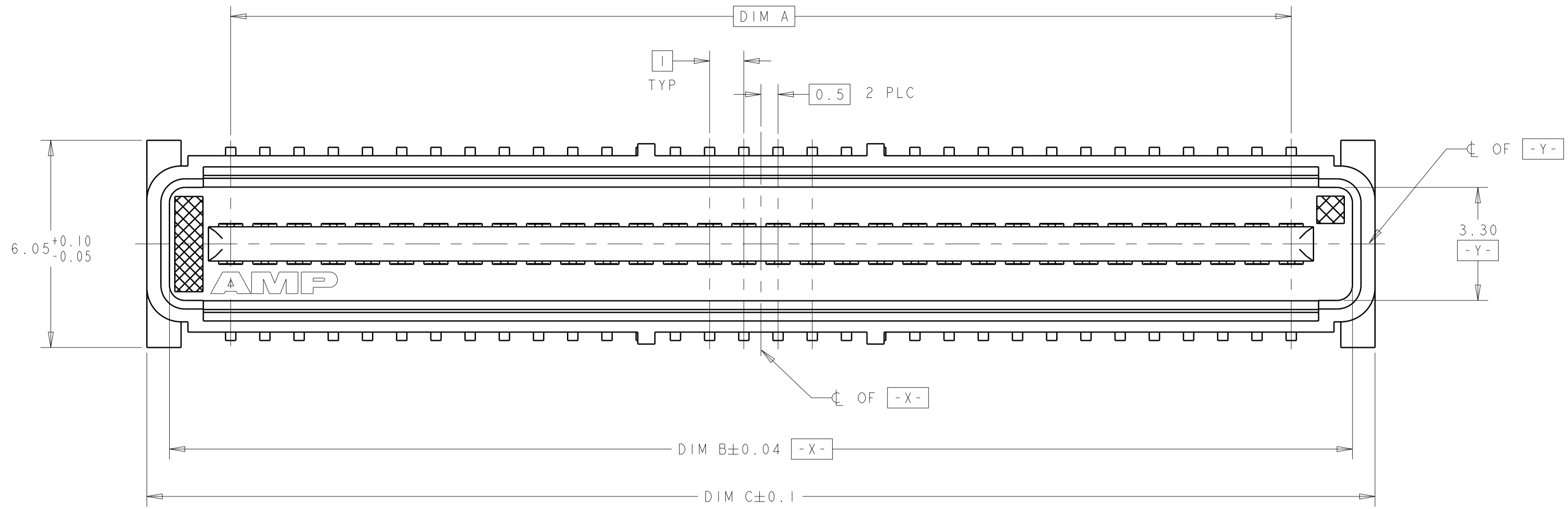
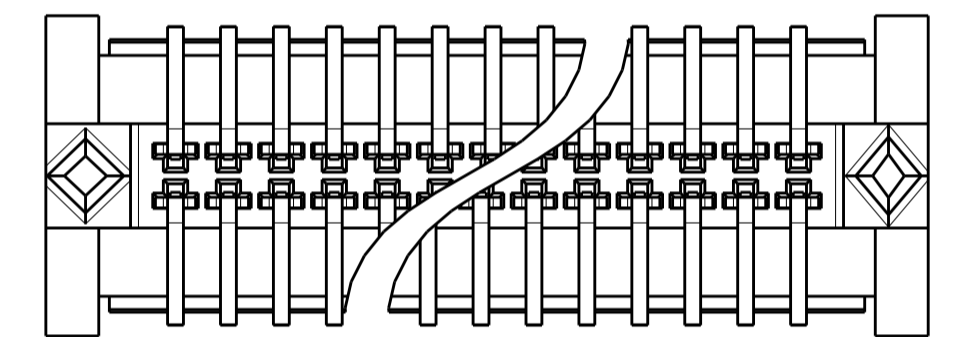


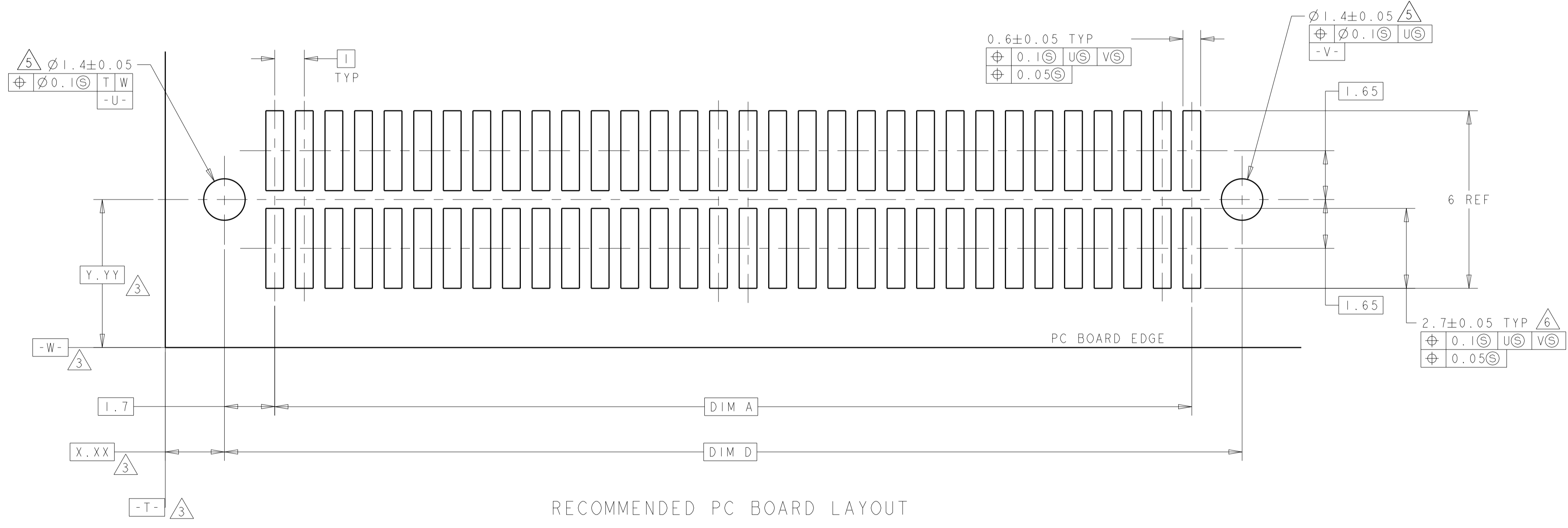
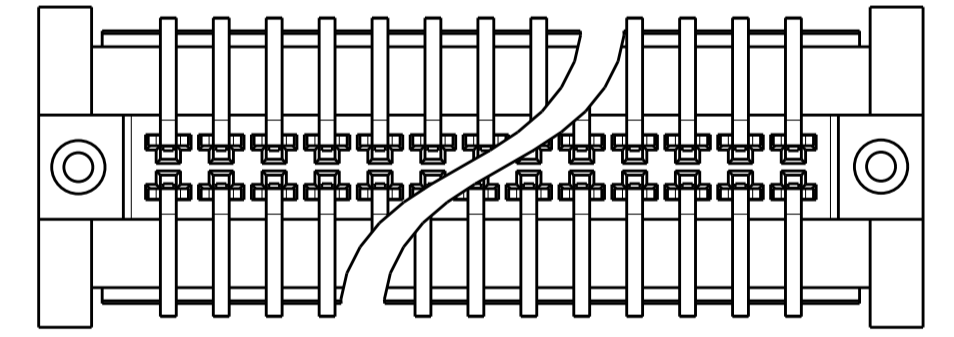
REVISIONS				
P.	LTN.	DESCRIPTION	DATE	APVD.
G	REV PER ECR-14-016951		11FEB2015	J.T. W.H.



△ STYLE A POST



△ STYLE B POST



RECOMMENDED PC BOARD LAYOUT

- HOUSING MATERIAL: LIQUID CRYSTAL POLYMER, COLOR; BLACK. CONTACT MATERIAL: PHOSPHOR BRONZE.
- CONTACT FINISH: NICKEL UNDERPLATE ALL OVER, MATING SURFACES PLATED TO MEET PLI PERFORMANCE REQUIREMENTS OF INDUSTRY SPECIFICATION EIA-700AAAAB, SOLDER TAILS PLATED TIN-LEAD.
- DATUM LOCATIONS AND BASIC DIMENSIONS TO BE ESTABLISHED BY THE CUSTOMER. CONSULT AMP ENGINEERING WHEN PLACING MULTIPLE CONNECTORS ON A PC BOARD.
- PACKAGED IN TAPE ON REELS PER EIA-481.
- 1.5 MIN DIAMETER HOLE SHOULD BE USED IF USING POST STYLE "A" AND PLACING ON PCB WITH VACUUM PLACEMENT EQUIPMENT.
- SHORTER SOLDER LANDS MAY BE USED PER EIA 700AAAAB, HOWEVER 2.7 LENGTH ASSURES OPTIMUM SOLDER FILLET REGARDLESS OF MANUFACTURER OF CONNECTOR.
- REFERRED TO AS DIM N IN EIA 700AAAAB SPECIFICATION.
- CONTACT FINISH: 0.002 MINIMUM BRIGHT TIN-LEAD (93-7) ON SOLDER AREA, 0.00127 MINIMUM GOLD ON MATING AREA, BOTH OVER 0.00127 MINIMUM NICKEL ON ENTIRE CONTACT.
- OBSOLETE PART NUMBER.
- SQUARE AND DIAMOND SHAPED POSTS
- ROUND SHAPED POSTS

POST STYLE	FINISH	DIM D	DIM C	DIM B	DIM A	STACK HGTS	POS	PART NO
△	△	44.4	45.9	44.58	41	8	84	3-120525-2
△	△	34.4	35.9	34.58	31	8	64	3-120525-1
△	△	44.4	45.9	44.58	41	8	84	2-120525-2
△	△	34.4	35.9	34.58	31	8	64	2-120525-1
△	△	44.4	45.9	44.58	41	8	84	1-120525-2
△	△	34.4	35.9	34.58	31	8	64	1-120525-1
△	△	44.4	45.9	44.58	41	8	84	120525-2
△	△	34.4	35.9	34.58	31	8	64	120525-1

THIS DRAWING IS A CONTROLLED DOCUMENT. DWN: J. REED 2/11/97. CHK: L. VO 2/11/97. APVD: -

TE Connectivity

PLUG ASSY, 1.0mm FH (IEEE1386) CONNECTOR

PRODUCT SPEC: 502-1079. APPLICATION SPEC: 114-25045. WEIGHT: -.

SCALE: 10:1. SHEET: 1 OF 1. REV: G