



PART NAME

NEMA 4X PLASTIC BOX (PTK SERIES)

PART No.

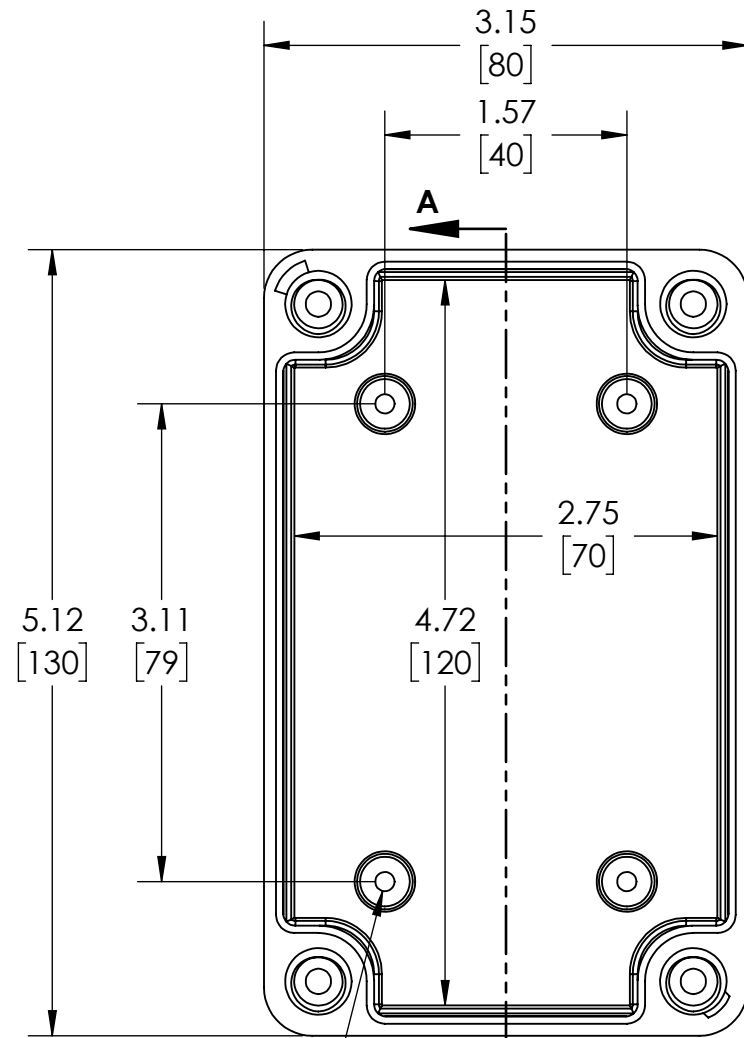
PTK-18422 & PTK-18422-C

REVISION DATE

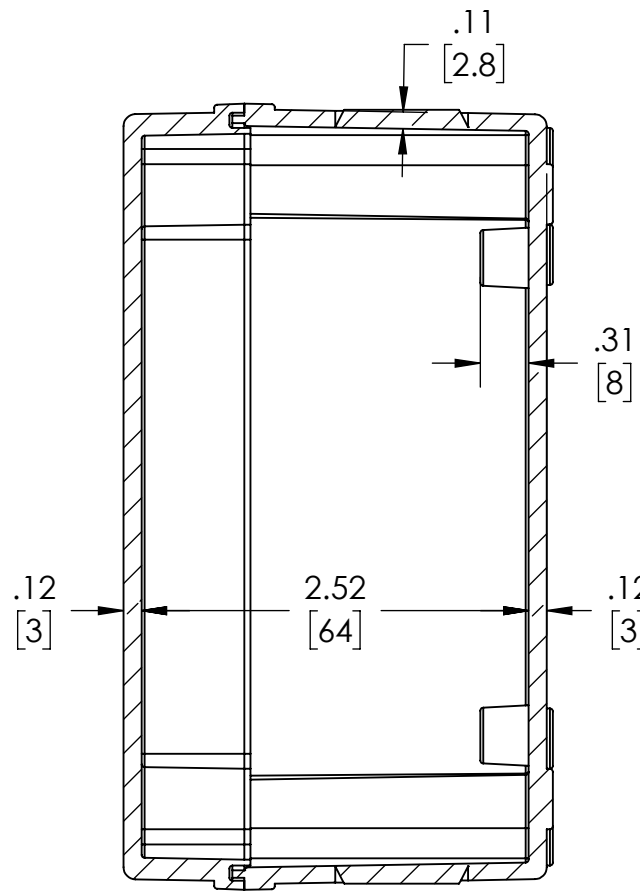
10-11-17

DRAWING FOR REFERENCE

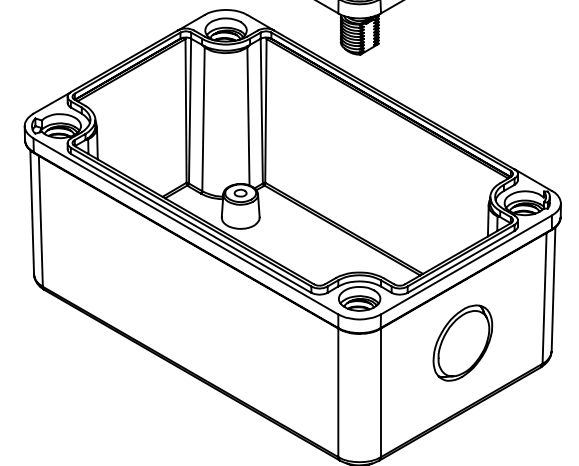
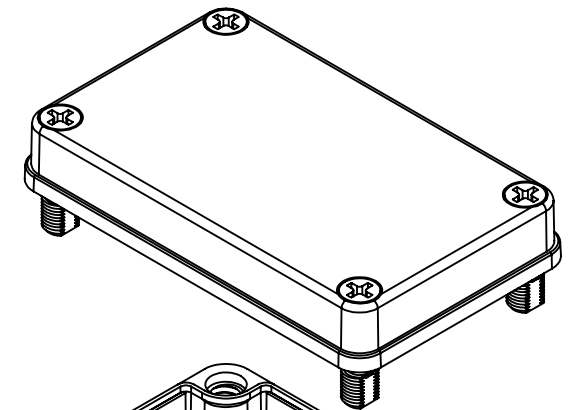
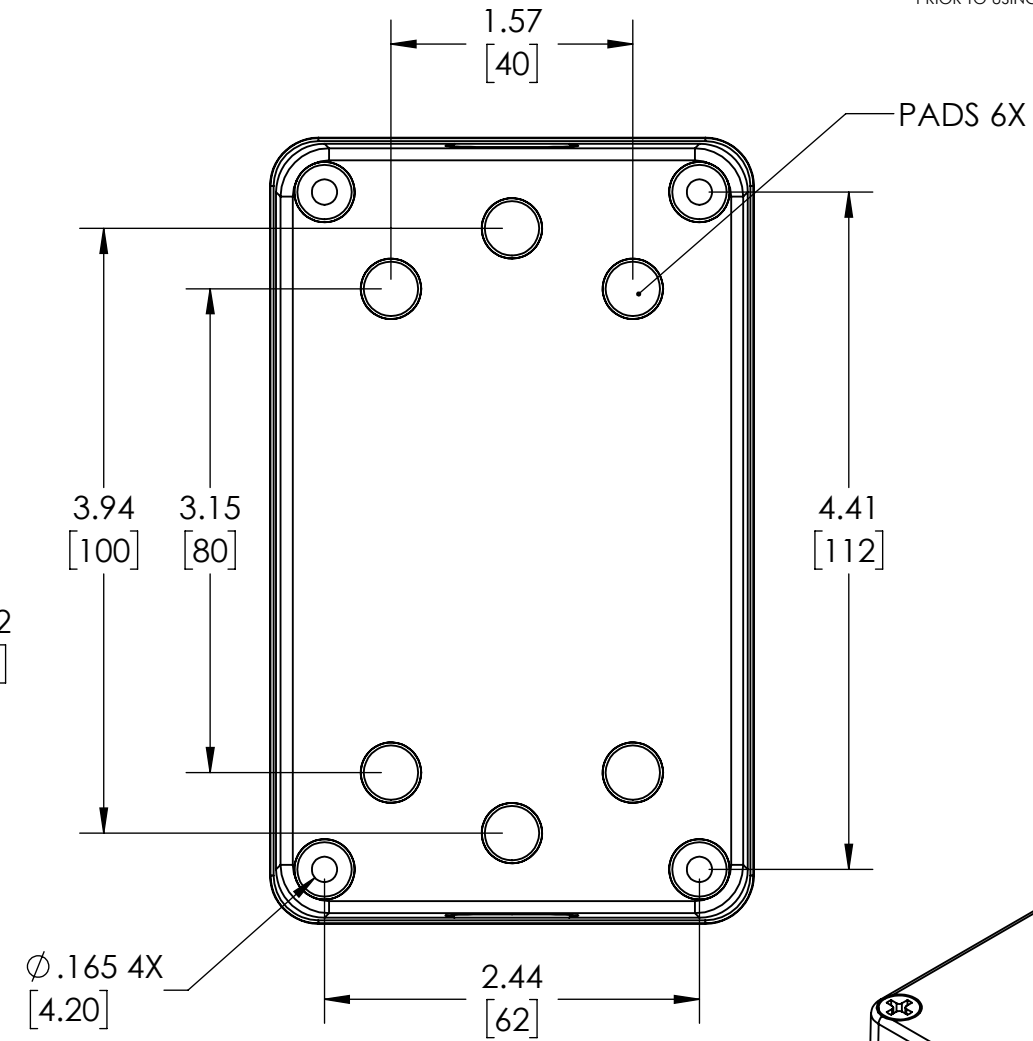
WE RESERVE THE RIGHT TO MAKE CHANGES TO OUR STANDARD PRODUCTS. PLEASE CONSULT WITH BUD INDUSTRIES PRIOR TO USING THIS DRAWING FOR DESIGN PURPOSE.



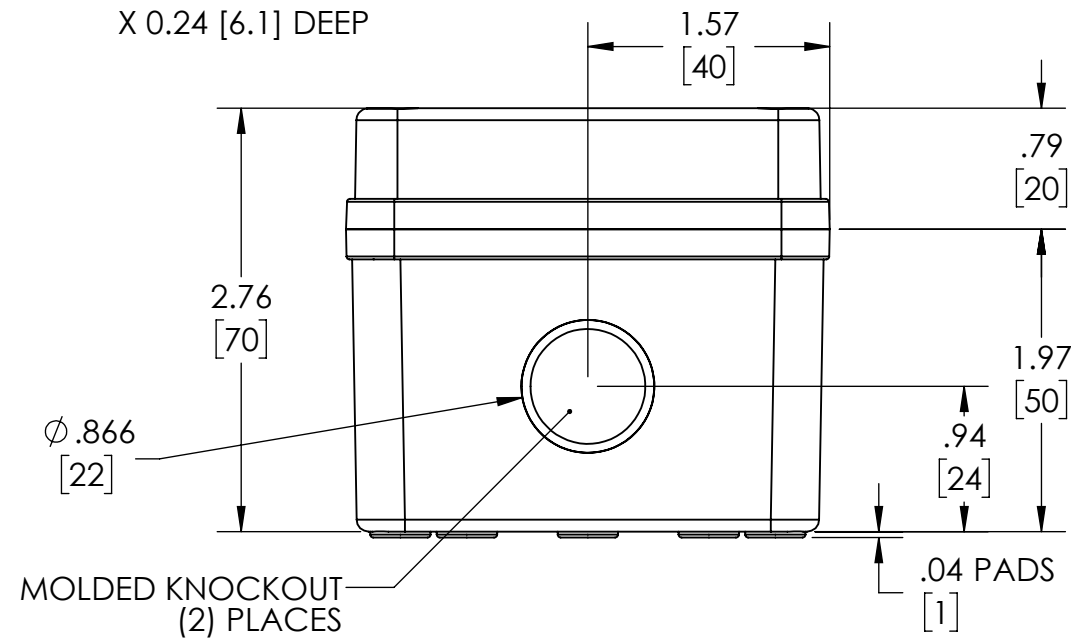
COVER NOT SHOWN



SECTION A-A



$\phi .126\ 4X\ [3.20]$
X 0.24 [6.1] DEEP



NOTES:

- 1- MATERIAL: BODY - GRAY POLYCARBONATE RESIN 10% GLASS FIBER FILLED
COVER - GRAY OR CLEAR (-C SUFFIX) POLYCARBONATE
- 2- UL508 / NEMA TYPE 4X & TYPE 6 WITH IP-67 TUV RATING & UL-94 5VA
- 3- CONTINUOUS Poured FOAM GASKET IN COVER
- 4- COVER ATTACHES WITH NON-METALLIC CAPTIVE SCREWS
- 5- INTERNAL BOSSES WILL ACCEPT M4x0.7 x 6mm LG. THREAD FORMING SCREWS FOR ATTACHING AN INTERNAL PANEL OR PCB (NOT SUPPLIED)
- 6 - DIMENSIONS ARE INCH [MM]

OPTIONAL ACCESSORIES:

- INTERNAL STEEL PANEL #
- MOUNTING BRACKET KIT (STAINLESS STEEL) - #NBX-10922
- MOUNTING BRACKET KIT (PLASTIC) #PIX-4117