

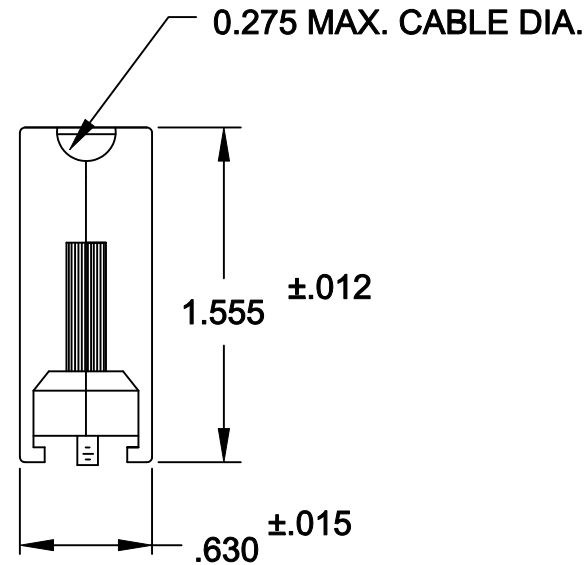
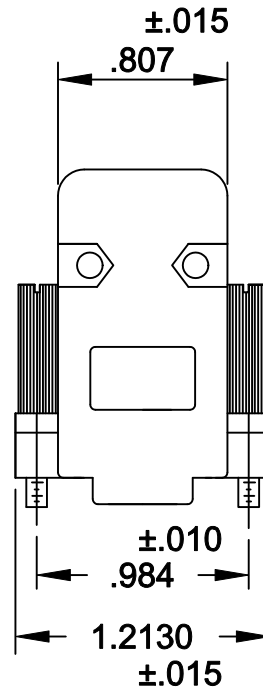
DESCRIPTION: **993 SERIES 45 DEGREE ENTRY D-SUB BACKSHELL**

BACKSHELL KIT INCLUDES:

- (2) BACKSHELL HALVES
- (2) HOUSING SCREWS
- (2) HOUSING NUTS
- (2) 4-40 THUMBSCREWS
- (2) STRAIN RELIEF CLAMPS
- (2) STRAIN RELIEF SCREWS

993-YYY-YYYRYY1

Series _____
 Position _____
 009 _____
 Material _____
 010 = Plastic
 020 = Metalized Plastic
 Color: _____
 03 = Grey
 12 = NICKEL OVER COPPER
 Put-Up: _____
 1 = Kit



METALIZED PLASTIC:
MATERIAL: ABS HIGH TEMPERATURE PLASTIC 94HB

METALIZED PLATING:
NICKEL OVER COPPER

PLASTIC:
MATERIAL: ABS HIGH TEMPERATURE PLASTIC 94HB

RoHS COMPLIANT

| | | | | |
|------------------|---|--|--------------------------------|--------------------------|
| | THESE DRAWINGS AND SPECIFICATIONS ARE THE PROPERTY OF NorComp AND SHALL NOT BE REPRODUCED, COPIED OR USED AS THE BASIS FOR THE MANUFACTURE OR SALE OF APPARATUS WITHOUT WRITTEN PERMISSION. | | DRAWN: PAM JENKINS | DATE: 9-15-05 |
| | | | CHECKED: | DATE: |
| <h1>NorComp</h1> | | | SCALE | SHEET OF REV 3 |
| | | | DWG NO. 993-009-YYYRYY1 | |