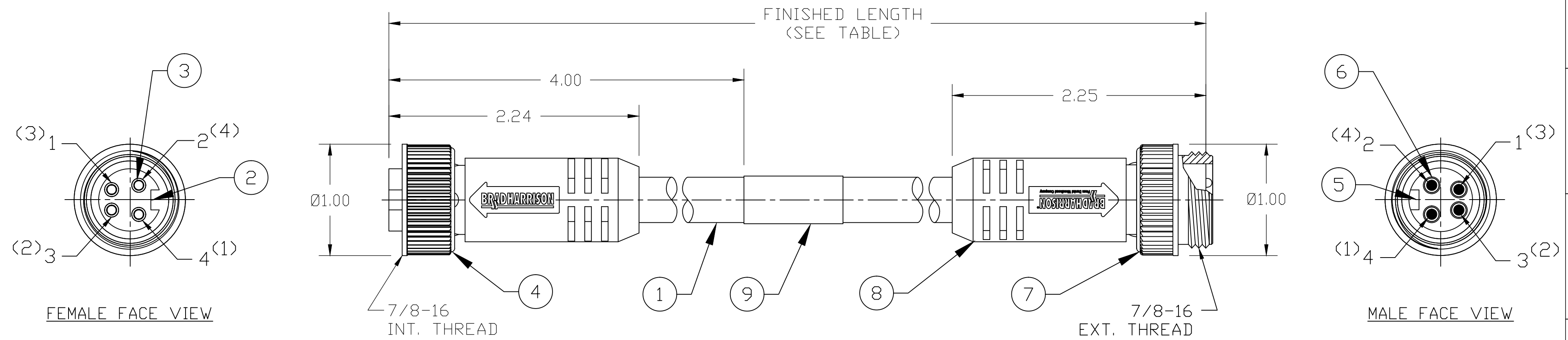


PART NO.	ENGINEERING NO.	FINISHED LENGTH
1300100863	114030K12M005	0.5M+44.5mm-0 [1'8"+1.75-0]
1300100864	114030K12M010	1.0M+55.6mm-0 [3'3"+2.19-0]
1300100865	114030K12M020	2.0M+88.9mm-0 [6'7"+3.50-0]

CHART (C1)



- NOTES:**
- MATERIAL: SEE TABLE
 - FINISH: SEE TABLE
 - ELECTRICAL:
VOLTAGE: 483V PER IEC 60664
600V PER UL 2238
CURRENT: 8A
 - TEMP RATING: -20° TO +90°C
 - PROTECTION: IP67 (WHEN MATED)
 - UL CERTIFICATION: UL FILE NO. E152210
 - ALL DIMS ARE FOR REFERENCE UNLESS NOTED OTHERWISE

CENELEC EN 50 044 PINOUT SHOWN (SAE-J-1738A SHOWN IN PARENTHESIS)

4 (1)	BLACK	4 (1)
3 (2)	BLUE	3 (2)
1 (3)	BROWN	1 (3)
2 (4)	WHITE	2 (4)

114030K12XXXX

LENGTH
M010 = 1 METER
M100 = 10 METER
F050 = 5 FEET
F500 = 50 FEET
T=100 METER
T001 = 101 METER
T010 =110 METER

(C1) MECHANICAL CHARACTERISTICS:

TORSIONAL FLEX TEST	20 MILLION CYCLES PER MIL-C-13777G
BEND FLEX TEST	20 MILLION CYCLES PER MIL-C-13777G
WELD SLAG RESISTANCE	WOODHEAD STANDARD S-300

(C1)

CABLE LENGTH TOLERANCES

>.3M [1FT]:	+19mm-0 [+ .75in-0]
.3 - .9M [1 - 3FT]:	+44.5mm-0 [+1.75in-0]
.9 - 1.8M [3 - 6FT]:	+55.6mm-0 [+2.19in-0]
1.8 - 3.7M [6 - 12FT]:	+88.9mm-0 [+3.50in-0]
3.7 - 7.3M [12 - 24FT]:	+165.1mm-0 [+6.50in-0]
7.3-14.6M [24 - 48FT]:	+317.5mm-0 [+12.50in-0]
14.6 - 30.5M [48-100FT]:	+622.3mm-0 [+24.50in-0]
OVER 30M [100FT]	+2% OF FINISHED LENGTH

ITEM	DESCRIPTION	MATERIAL	FINISH
9	WRAP LABEL	VINYL	BLACK/YELLOW
8	OVERMOLD	ARNITEL	YELLOW
7	COUPLING, MALE	ZINC DIE-CAST	BLACK
6	CONTACT PIN	COPPER ALLOY	GOLD PLATED
5	MALE INSERT (A-SIZE)	ARNITEL	YELLOW
4	COUPLING, FEMALE	ZINC DIE-CAST	BLACK
3	CONTACT SOCKET	COPPER ALLOY	GOLD PLATED
2	FEMALE INSERT (A-SIZE)	ARNITEL	YELLOW
1	CABLE, 16/4 TC-ER (HI-FLEX)	TPE JACKET	YELLOW

EC NO.: IPG2017-0882	3/31/17
DRWN: RSTONE	2017/04/10
CHKD: M ZIELIN	2017/04/10
APPR: BWOODMAN	2012/03/08
REV	DESCRIPTION
C1	

QUALITY SYMBOL	GENERAL TOLERANCES (UNLESS SPECIFIED)	
	mm	INCH
▽=0	4 PLACES ±---	±---
▽C=0	3 PLACES ±---	±---
	2 PLACES ±---	±---
	1 PLACE ±---	±---
	ANGULAR ±---°	
	DRAFT WHERE APPLICABLE MUST REMAIN WITHIN DIMENSIONS	

DIMENSION STYLE INCH ONLY	
DRAWN BY	DATE
VOU	2012/01/19
CHECKED BY	DATE
TWOLDEGE	2012/02/17
APPROVED BY	DATE
JFMURPHY	2012/03/08
MATERIAL NO.	---
SIZE	C

SCALE	DESIGN UNITS	THIRD ANGLE PROJECTION
---	INCH	☉
TITLE		
MINI-CHANGE CORDSET 4P MALE/FEMALE ST/ST #16/4 TPE CABLE		
MOLEX INCORPORATED		
DOCUMENT NO.	SHEET NO.	
SD-130010-016	1 OF 1	
THIS DRAWING CONTAINS INFORMATION THAT IS PROPRIETARY TO MOLEX INCORPORATED AND SHOULD NOT BE USED WITHOUT WRITTEN PERMISSION		