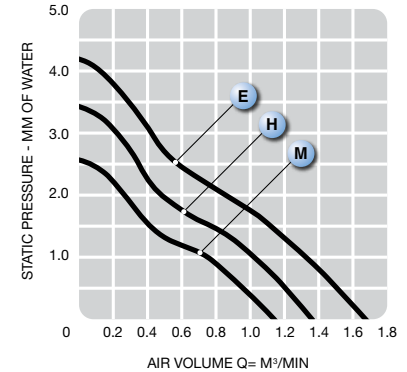
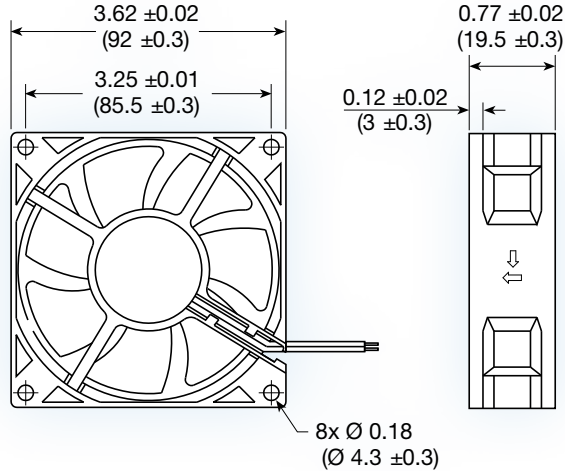


MB9220 series



(92 x 92 x 19.5 mm)
1.57 x 1.57 x 1.10 inches

Construction:	UL94V-0 PBT impeller and frame
Bearing option:	ball bearing or sleeve
Connection:	AWG 26, UL1007 lead wires
Frame:	flanged
Protection:	impedance
Options:	tachometer output signal

Model No.	Rated Voltage V	Current mA 12	Speed RPM	Air Volume		Max. Static Pressure (H ₂ O)		Sound Noise dbA	Weight g
				M ³ /Min.	CFM	MM	INCH		
MB9220L	12	0.12	2,100	0.90	31.8	1.18	0.04	24	71
MB9220M	12	0.16	2,500	1.08	38.1	2.60	0.10	28	71
MB9220H	12	0.26	3,000	1.35	47.7	3.48	0.14	32	71
MB9220E	12	0.32	3,600	1.65	57.5	4.20	0.17	38	71