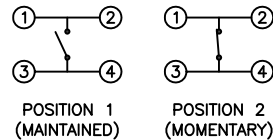


**PACKAGING**

PACKAGING TYPE:  
Tape and Reel  
  
REEL QUANTITY:  
900 Pieces

**SCHEMATIC**



**SPECIFICATIONS**

**FUNCTION:**  
1P1T OFF--(ON), Washable

**RATINGS:**  
50mA 12VDC

**OPERATING FORCE:**  
260±70gf

**TRAVEL:**  
0.018±0.008 [0.45±0.2]

**CONTACT RESISTANCE:**  
Initial: 100mΩ Max.

**INSULATION RESISTANCE:**  
100MΩ Min. at 500VDC

**DIELECTRIC STRENGTH:**  
250VAC For 1 Minute

**ELECTRICAL LIFE:**  
500,000 Cycles

**SHOCK RESISTANCE:**  
Mil-Std. 202F, Method 213B

**VIBRATION RESISTANCE:**  
Mil-Std. 202F, Method 201A

**TEMPERATURE:**  
Operating: -25°C to 70°C  
Storage: -30°C to 80°C

**APPROVALS:**

**RoHS LEAD FREE**  
COMPLIANT PROCESS COMPATIBLE

**COLORS**

ACTUATOR:  
Red

**MATERIALS**

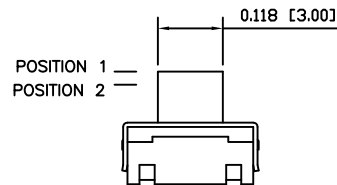
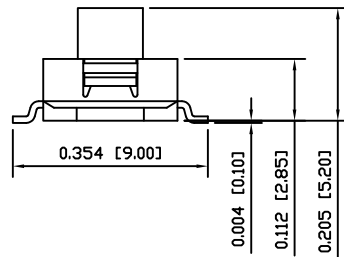
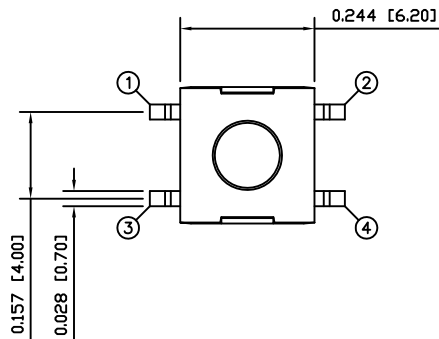
BASE:  
Nylon Thermoplastic, UL94 V-0

COVER:  
Stainless Steel

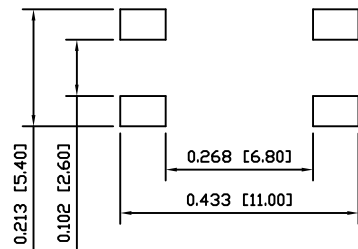
ACTUATOR:  
Silicone Rubber

CONTACTS:  
Stainless Steel

TERMINALS:  
Silver Plated Brass



**SUGGESTED PCB LAYOUT**



BODY	A	09/08/27	CAB
COLORS	A	09/08/27	CAB
MATERIALS	A	09/08/27	CAB
PACKAGING	A	09/08/27	CAB
SPECIFICATIONS	A	09/08/27	CAB
REFERENCE	REV.	DATE	BY

THE INFORMATION CONTAINED IN THIS DOCUMENT IS PROPRIETARY TO E-SWITCH AND IS NOT TO BE COPIED OR TRANSFERRED

INITIAL RELEASE	18999	10/03/10	CAB
DESCRIPTION	PCR	DATE	DRAWN BY

DIMENSIONS	INCHES [MILLIMETERS]
GENERAL TOLERANCES	±0.008 [±0.2] / ±1°
SCALE	DRAWING NOT TO SCALE

TSM9W-5.2-260-TR		
ITEM NUMBER	DATE	REVISION
06-TSM9W52260TR	MARCH 10, 2010	A