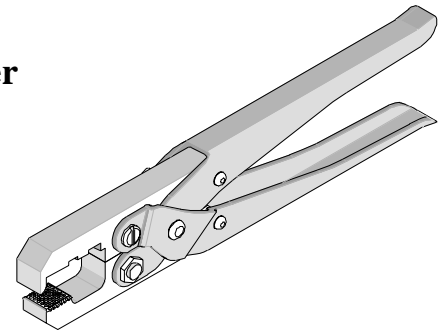




**VHDM Right Angle Male Header  
(74600 SERIES)  
Single Wafer Insertion Tool  
Instruction Sheet  
Order No 62202-1060**



**FEATURES**

- A pliers-type tool used in the repair of damaged connectors to replace individual wafers, which reduces connector replacement costs
- Lightweight manual tool that is easy to use
- High quality construction that will provide longevity with proper care of hand tool

**Scope:**

2.00mm (.079") Pitch VHDM®\* Board-to-Board Backplane Header, Right Angle, Male, 6 Row, Series 74600

\*Note VHDM and VHDM-HSD are registered trademarks of Amphenol Corporation.

The following is a Partial List of the Product Part Numbers and their specifications that this tooling is designed to repair. We will be adding to this list and an up to date copy is available on [www.molex.com](http://www.molex.com).

| Connector 74600- Series Order No. |            |            |            |            |            |            |            |
|-----------------------------------|------------|------------|------------|------------|------------|------------|------------|
| 74600-1000                        | 74600-1038 | 74600-1082 | 74600-1118 | 74600-1153 | 74600-1186 | 74600-1215 | 74600-1249 |
| 74600-1001                        | 74600-1039 | 74600-1086 | 74600-1120 | 74600-1154 | 74600-1189 | 74600-1216 | 74600-1250 |
| 74600-1002                        | 74600-1040 | 74600-1087 | 74600-1121 | 74600-1156 | 74600-1190 | 74600-1217 | 74600-1254 |
| 74600-1003                        | 74600-1043 | 74600-1090 | 74600-1122 | 74600-1157 | 74600-1191 | 74600-1220 | 74600-1260 |
| 74600-1010                        | 74600-1047 | 74600-1091 | 74600-1124 | 74600-1159 | 74600-1192 | 74600-1221 | 74600-1264 |
| 74600-1013                        | 74600-1048 | 74600-1092 | 74600-1125 | 74600-1160 | 74600-1193 | 74600-1225 | 74600-1265 |
| 74600-1014                        | 74600-1049 | 74600-1093 | 74600-1126 | 74600-1163 | 74600-1194 | 74600-1226 | 74600-1267 |
| 74600-1015                        | 74600-1050 | 74600-1096 | 74600-1130 | 74600-1169 | 74600-1197 | 74600-1228 | 74600-1270 |
| 74600-1016                        | 74600-1051 | 74600-1097 | 74600-1131 | 74600-1170 | 74600-1198 | 74600-1230 | 74600-1276 |
| 74600-1018                        | 74600-1052 | 74600-1098 | 74600-1134 | 74600-1173 | 74600-1199 | 74600-1231 | 74600-1281 |
| 74600-1020                        | 74600-1053 | 74600-1100 | 74600-1135 | 74600-1174 | 74600-1200 | 74600-1232 | 74600-1282 |
| 74600-1022                        | 74600-1066 | 74600-1103 | 74600-1136 | 74600-1175 | 74600-1201 | 74600-1233 | 74600-1283 |
| 74600-1023                        | 74600-1068 | 74600-1104 | 74600-1137 | 74600-1176 | 74600-1203 | 74600-1234 | 74600-1284 |
| 74600-1025                        | 74600-1070 | 74600-1105 | 74600-1138 | 74600-1177 | 74600-1204 | 74600-1235 | 74600-1285 |
| 74600-1029                        | 74600-1071 | 74600-1106 | 74600-1139 | 74600-1180 | 74600-1206 | 74600-1238 | 74600-288  |
| 74600-1033                        | 74600-1073 | 74600-1111 | 74600-1140 | 74600-1182 | 74600-1207 | 74600-1242 |            |
| 74600-1034                        | 74600-1074 | 74600-1112 | 74600-1145 | 74600-1183 | 74600-1208 | 74600-1243 |            |
| 74600-1035                        | 74600-1080 | 74600-1116 | 74600-1150 | 74600-1184 | 74600-1209 | 74600-1244 |            |
| 74600-1037                        | 74600-1081 | 74600-1117 | 74600-1151 | 74600-1185 | 74600-1212 | 74600-1245 |            |

**Decription:**

The 62202-1060 VHDM single wafer insertion tool is a simple pliers type tool for inserting individual wafers (up to three) in a VHDM right angle male header assembly. The tool is approximately 203mm (8 in.) long by 51mm (2 in.) wide (closed) by 25 mm (1 in.) thick and weighs .48 kg (1 lb).

**OPERATION:**

1. To insert a wafer into a header assembly, load it into position with the pins entering the holes on the PC board while aligning the wafer with the other wafers in the header. Up to three wafers can be inserted at the same time.
2. When the wafers are in position, place the 62202-1060-insertion tool over the wafers to be inserted. It is important to hold the tool so that it is parallel to the wafers in the header and not interfering with the features of the wafers. If the loaded wafer pins protrude below the board, the lower jaw of the insertion tool has clearance holes to clear for them. Be careful not to damage the pins when locating the tool. See Figure 1.
3. With the tool in place, carefully squeeze the handles until the wafer is pressed flush with the adjacent wafers.
4. When all the wafers are inserted in the header, the upper and lower stiffeners must then be reinstalled.
5. See 62201-0999 VHDM and VHDM-HSD Installation Tooling Manual for additional repair tools and information.

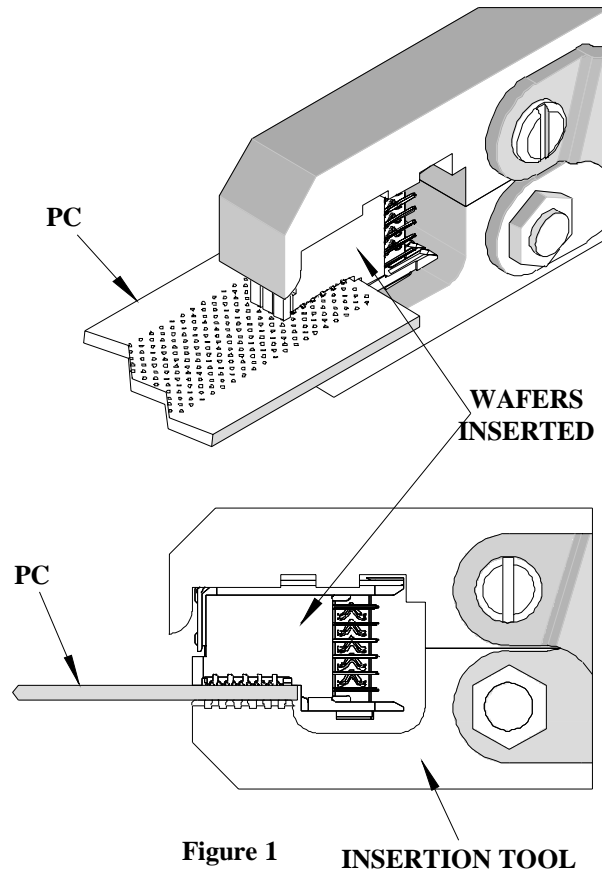


Figure 1 INSERTION TOOL

|   |  |   |  |  |
|---|--|---|--|--|
| <b>Americas Headquarters</b><br>Lisle, Illinois 60532 U.S.A.<br>1-800-78MOLEX<br>amerinfo@molex.com | <b>Far East North Headquarters</b><br>Yamato, Kanagawa, Japan<br>81-462-65-2324<br>feninfo@molex.com | <b>Far East South Headquarters</b><br>Jurong, Singapore<br>65-6-268-6868<br>fesinfo@molex.com | <b>European Headquarters</b><br>Munich, Germany<br>49-89-413092-0<br>eurinfo@molex.com | <b>Corporate Headquarters</b><br>2222 Wellington Ct.<br>Lisle, IL 60532 U.S.A.<br>630-969-4550 |
|---|--|---|--|--|

Visit our Web site at <http://www.molex.com>