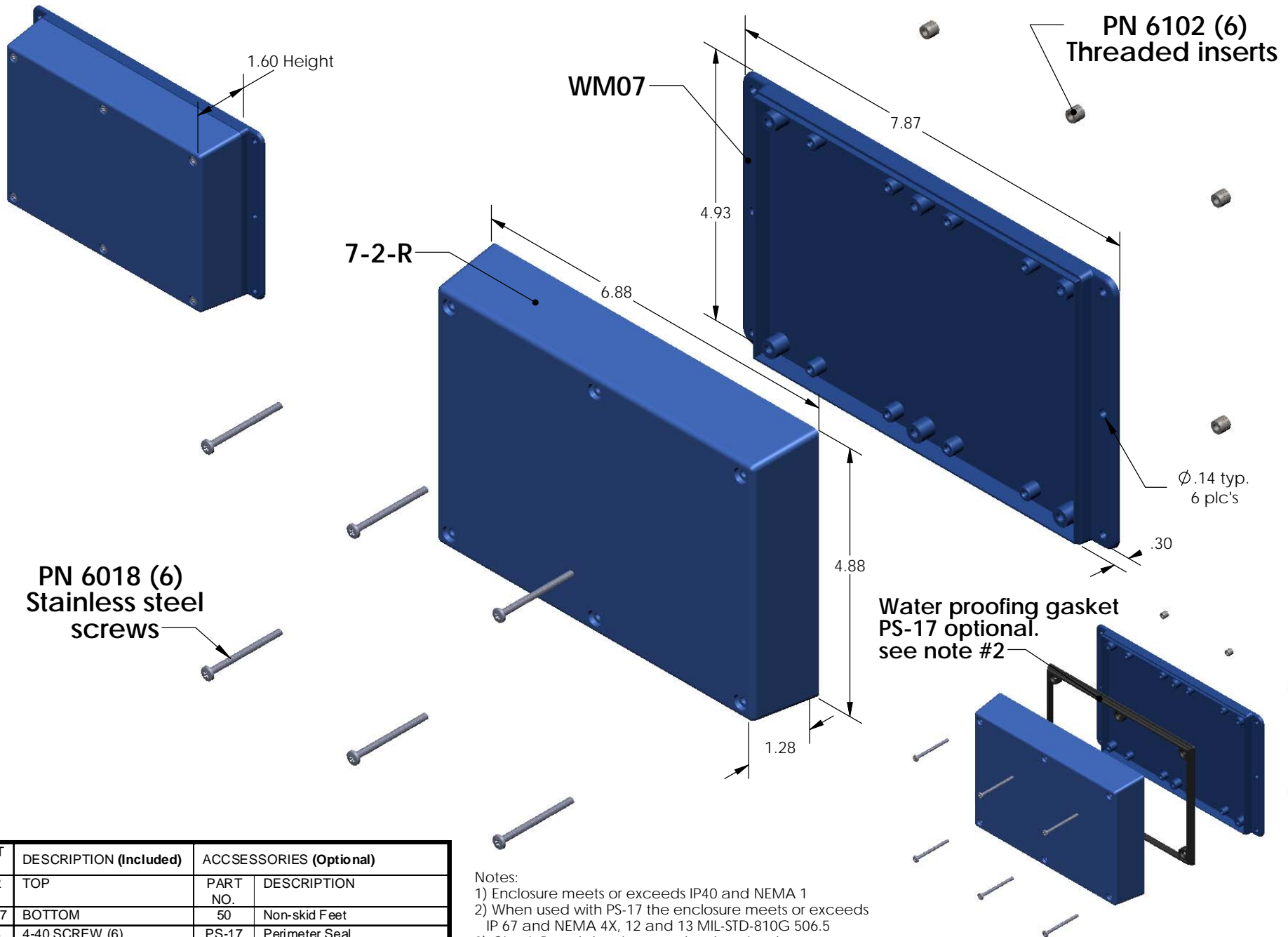


SERPAC **WM072-R** (exploded isometric)

Electronic Enclosures



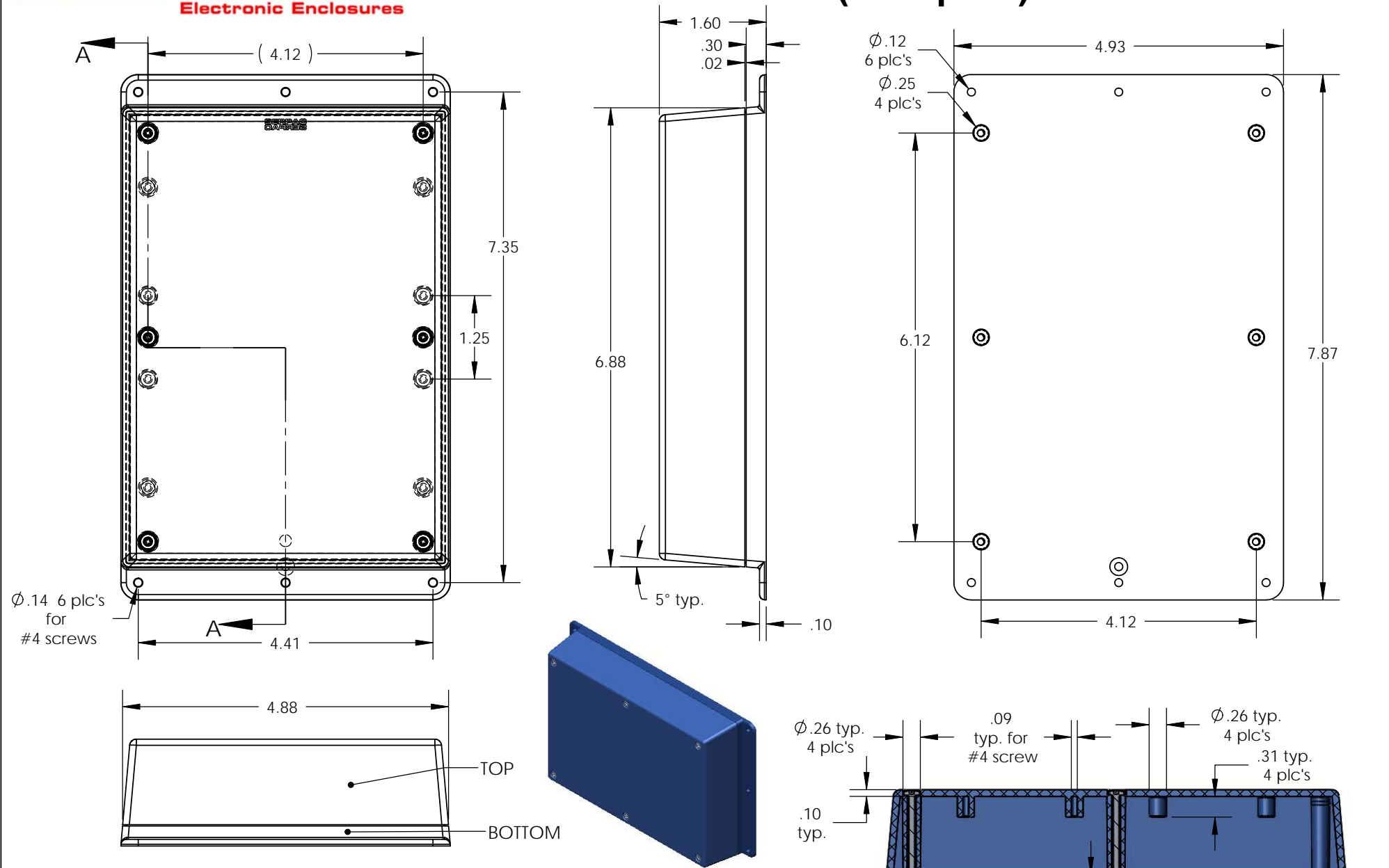
PART NO.	DESCRIPTION (Included)	ACCESSORIES (Optional)	
		PART NO.	DESCRIPTION
7-2-R	TOP		
WM07	BOTTOM	50	Non-skid Feet
6018	4-40 SCREW (6)	PS-17	Perimeter Seal
6102	THREADED INSERTS (6)		

- Notes:
- 1) Enclosure meets or exceeds IP40 and NEMA 1
 - 2) When used with PS-17 the enclosure meets or exceeds IP 67 and NEMA 4X, 12 and 13 MIL-STD-810G 506.5
 - 3) Circuit Board drawings can be download at:
<http://www.serpac.com/Accessories/CircuitBoard/drawings/370-470.pdf>
 - 4) All components are RoHS Compliant.

ALL DIMENSIONS ARE ± .010" 6/04/09 (1 of 2)
619 Commercial Ave. Covina, CA 91723
 Ph. (626) 331-0517 Fx. (626) 331-8584 serpac.com

SERPAC WM072-R (user print)

Electronic Enclosures

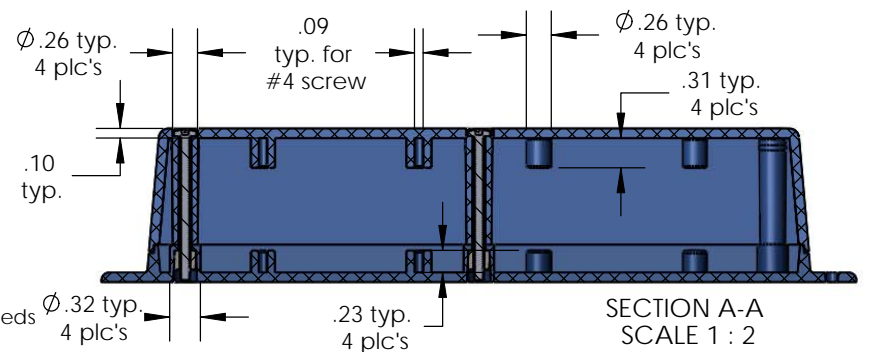


Ø.14 6 plc's for #4 screws

PART NO.	DESCRIPTION (Included)	ACCESSORIES (Optional)	
7-2-R	TOP	PART NO.	DESCRIPTION
WM07	BOTTOM	50	Non-skid Feet
6018	4-40 SCREW (6)	PS-17	Perimeter Seal
6102	THREADED INSERTS (6)		

Notes:

- 1) Enclosure meets or exceeds IP40 and NEMA 1
- 2) When used with PS-17 the enclosure meets or exceeds IP 67 and NEMA 4X, 12 and 13 MIL-STD-810G 506.5
- 3) Circuit Board drawings can be download at: <http://www.serpac.com/Accessories/CircuitBoard/drawings/370-470.pdf>
- 4) All components are RoHS Compliant.



ALL DIMENSIONS ARE ±.010" 6/04/09 (2 of 2)
 619 Commercial Ave. Covina, CA 91723
 Ph. (626) 331-0517 Fx. (626) 331-8584 www.serpac.com