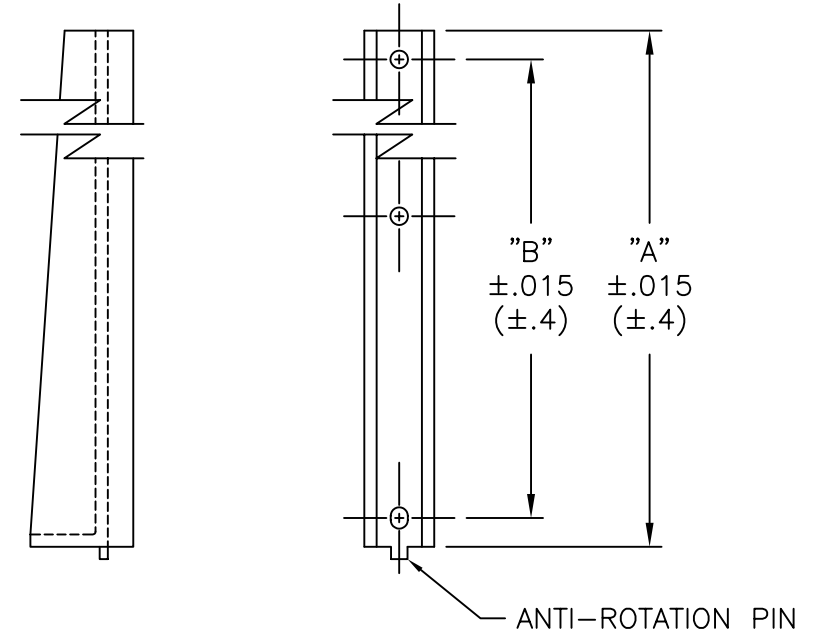
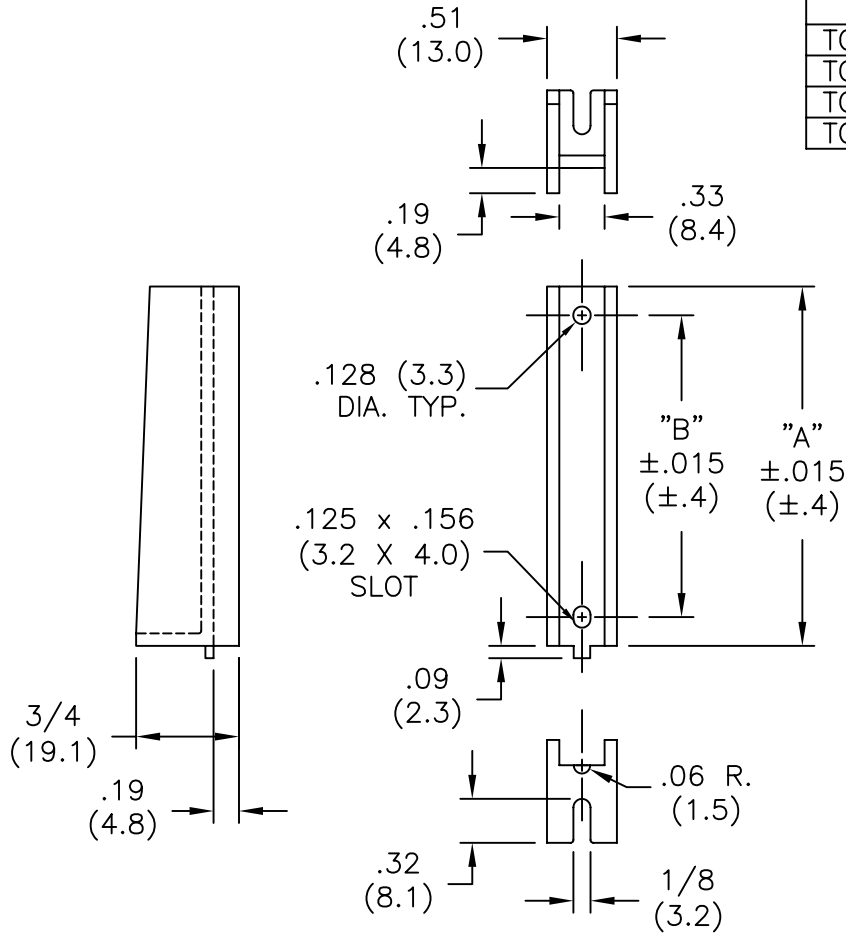


PART NO.	USED WITH	"A"	"B"
TCGVM1-2.500-23	TCG1-2.500-23	2.62 (66.6)	2.20 (55.9)
TCGVM1-3.300-23	TCG1-3.300-23	3.42 (86.9)	3.00 (76.2)
TCGVM1-3.925-23	TCG1-3.925-23	4.05 (102.9)	3.63 (92.29)
TCGVM1-6.675-23	TCG1-6.675-23	6.80 (172.7)	6.38 (162.0)



NOTES:
 1. MAT'L: POLYCARBONATE (RMS-23)
 COLOR: BLACK

TITLE: TENSION CARD GUIDE VERTICAL MOUNT				DWG IN IN (MM)	FINAL	QR
TOLERANCES UNLESS NOTED .XX=±.010 .XXX=±.005 FRAC=1/64 ANG=1°	FILE # TCGVM	DWN: J.B.	APP:	PART #		PRINT TYPE
	MAT'L: SEE NOTES	DT: 12-21-95	DT:	SEE TABLE		CA
	RE: RICHCO, INC.	RICHCO INC. PO BOX 804238, CHICAGO, 60680 (773) 539-4060				

A	CHANGED FILE NUMBER	SM 05.11.01
REV	DESCRIPTION	ENGR DATE