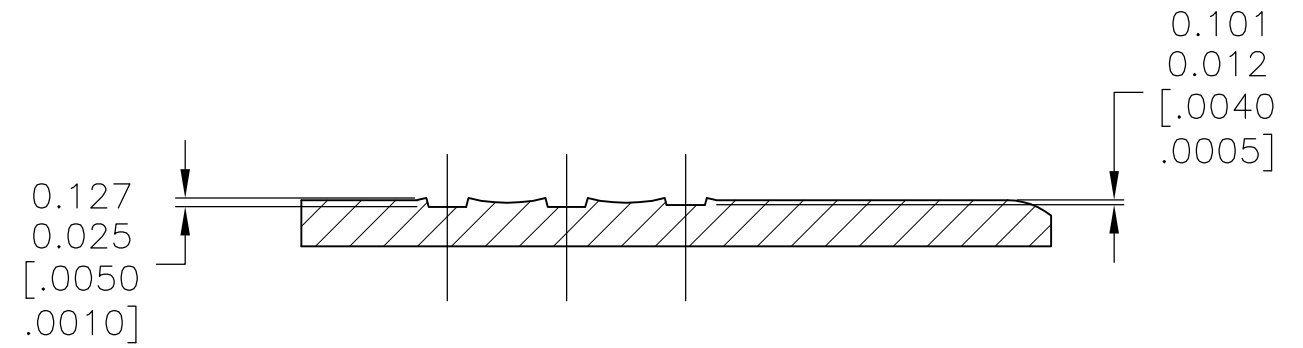
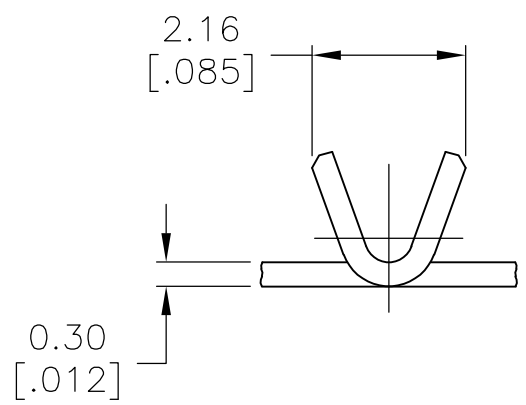
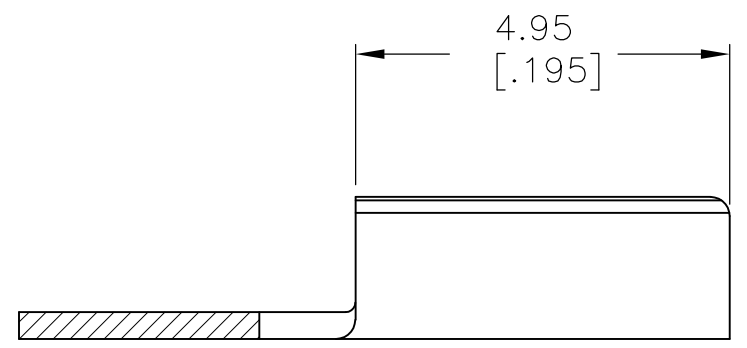
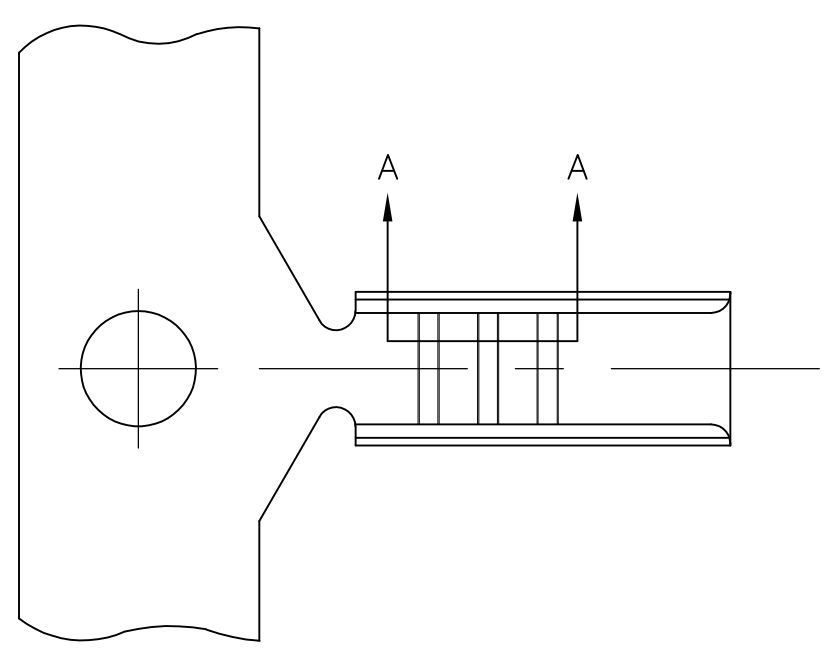


THIS DRAWING IS UNPUBLISHED. RELEASED FOR PUBLICATION
 © COPYRIGHT BY TYCO ELECTRONICS CORPORATION. ALL RIGHTS RESERVED.

LOC	DIST	REVISIONS			
P	LTR	DESCRIPTION	DATE	DWN	APVD
AF	50	B5	REVISED PER ECR-10-005285	10MAR10	JR GP

- 1 PRODUCT PROVIDED IN STRIP FORM ON REELS; BREAKS MAY BE PRESENT
- △2 ALTERNATE REELING FOR THRU CRIMP APPLICATION.
- △3 SUPPLIED ON PLASTIC REEL.



SECTION A-A
SCALE 20:1

200-850 CMA	△3	63431-3
200-850 CMA	△2	63431-2
200-850 CMA		63431-1
WIRE RANGE		PART NO

THIS DRAWING IS A CONTROLLED DOCUMENT.		DWN RAGHAVENDRA 12OCT2006	Tyco Electronics Corporation Harrisburg, PA 17105-3608	
DIMENSIONS: mm [INCHES]	TOLERANCES UNLESS OTHERWISE SPECIFIED:	CHK G.D.PORTA	NAME	
	0 PLC ± -	APVD G.D.PORTA	AMPLIVAR SPLICE MINIATURE	
	1 PLC ± -	PRODUCT SPEC		
	2 PLC ± -	APPLICATION SPEC		
	3 PLC ± 0.25 [0.010]	SIZE	CAGE CODE	DRAWING NO
	4 PLC ± -	—	—	—
	ANGLES ± 1° 0'	WEIGHT	RESTRICTED TO	
MATERIAL	FINISH	A3 00779 C-63431		—
BRASS	TIN	CUSTOMER DRAWING		SCALE 10:1 SHEET 1 OF 1 REV B5