

5

4

3

2

1

D

C

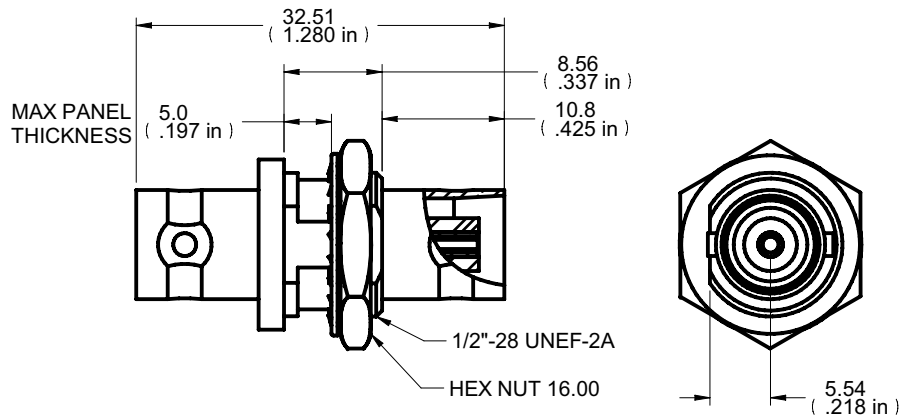
B

A



Description: BNC Bulkhead Adapter Jack to Jack
 Part No: CPAD556M
 Application: Adapter
 Crimp Tool: N/A
 Impedance: 50 Ohms
 Frequency Range: 0-4 GHz
 Material: Body: Brass Nickel plated
 Contact: BerylliumCopper Gold plated
 Insulator: Teflon
 Lock Washer: Brass Nickel plated
 HEX Nut: Brass Nickel plated

RoHS Compliance: Yes
 Technical Detail: Refer to Emerson Document P/N 27-0000



DIM OUTLINE

DRAWING NO.	
CPAD556M-CUST	
REVISIONS	
01	OFFICIAL RELEASE
	02-20-09 W B T
02	RELEASE FOR SUPPLIER ALTER
	07-27-11 Y G M L <i>Li-Ma</i> <small>Rev 2011.07.28 14:02:39 +0800</small>

D

C

B

A

CUSTOMER COPY

受控 CONTROLLED DOCUMENT					
编号 P/N	CPAD556M-CUST	版本 Rev	02	日期 Rel'd Date	Aug4,11

TOLERANCE UNLESS OTHERWISE SPECIFIED		DRAWN BY	DATE
DECIMALS	mm	YUGE HU	07-27-11
X	± 0.5	CHECKED BY	DATE
X.X	± 0.3	YUGE HU	07-27-11
X.XX	± 0.1	APPROVED BY	DATE
ANGLES	± 0.5°	YUGE HU	07-27-11
		U/M mm	



TITLE	
BNC BULKHEAD ADAPTER JACK TO JACK	

THIS DRAWING WAS PRODUCED BY COMPUTER, DO NOT SCALE DRAWING OR UPDATE MANUALLY.		SHEET 1 OF 1	DRAWING NO. CPAD556M-CUST	SIZE A
---	--	--------------	---------------------------	--------

5

4

3

2

1