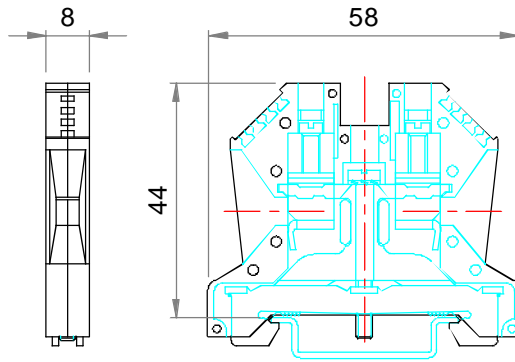


Part number description :

10134280-XXXLF

- ▶ LF: Lead Free, RoHs compliant, see note
- ▶ XXX : Color ref or/and version



Note : THIS PRODUCT MEETS EUROPEAN UNION DIRECTIVES AND OTHER COUNTRY REGULATIONS AS PER GS-47-0004

PN	Colour	Version
10134280-001LF	yellow-green	

TECHNICAL DATA / DIMENSIONS

Dimensions	
Width mm	8.0
Length mm	58.0
Height mm	44.0
Mounting type (EN 60715)	Omega TH35
Technical data	
Insulating material	PA
Self-extinguishing degree acc. to UL94	V2
Rated surge voltage	6kV
Pollution degree	3
Surge voltage category	III
Insulating material group	I
Connection data	
Conductor cross-section solid min/max	50 / 6 mm <sup>2</sup>
Conductor cross-section stranded min/max	0.50 / 6 mm <sup>2</sup>
AWG min/max	22-8AWG
Max conductor cross-section stranded with ferrule with plastic sleeve	6 mm <sup>2</sup> / L=12 mm
Stripping length	max 12 mm
Screw	M3,5
Tightening torque	0,8Nm / 10. 0 Lb-In
Fixing Screw	M3,5
Tightening torque	0,6Nm / 7. 0 Lb-In

ACCESSORIES

Item	Description
<b>Marking</b>	
10134398-001LF	Blank single-digit marking tags
10134398-002LF+ 10134398-011LF	Printed single-digit marking tags numbered : 1÷0
10134398-012LF+ 10134398-041LF	Printed single-digit marking tags with letter: A÷Z
10134399-001LF	Marking tag adapter
10134401-001LF	Blank Marking tags

DIN RAIL system - Mounting and Installation material

10134392-001LF	Steel Omega Rail TH35x7,5mm -2mt length
10134393-001LF	Slotted Steel Omega Rail TH35x7,5mm -2mt length
10134394-001LF	Steel Omega Rail TH35x15mm -2mt length
10134395-001LF	Slotted Steel Omega Rail TH35x15mm -2mt length
10134387-001LF	Angled support bracket
10134389-001LF	End Bracket for TH35 Omega rail -Width 9mm
10134390-001LF	End Bracket for TH35 Omega rail -Width 6mm
10134391-001LF	Fast-snap End Bracket for TH35 Omega rail

APPROVALS



AWG 22-8

RINA

EN60947-7-2 6mm<sup>2</sup>

spec ref	dr Aymeric Soudy 11-06-2015	projection	size A3	scale 1:1
tolerance std ISO 406 ISO 1101	TOLERANCES UNLESS OTHERWISE SPECIFIED	eng Aymeric Soudy 11-06-2015	MM	ecn no
surface ✓ ISO 1302	linear 0.X ± 0.3 0.XX ± 0.1 0.XXX ± 0.05 angular 0° ± 2°	chr appr Aymeric Soudy 11-06-2015	product family DIN Terminal Block	rel level
	FCJ	title Earth SCREW Terminal block E6	dwg no 10134280	rev A
	www.fcicon	cat. no.	- Product customer drawing	sheet 1 of 1