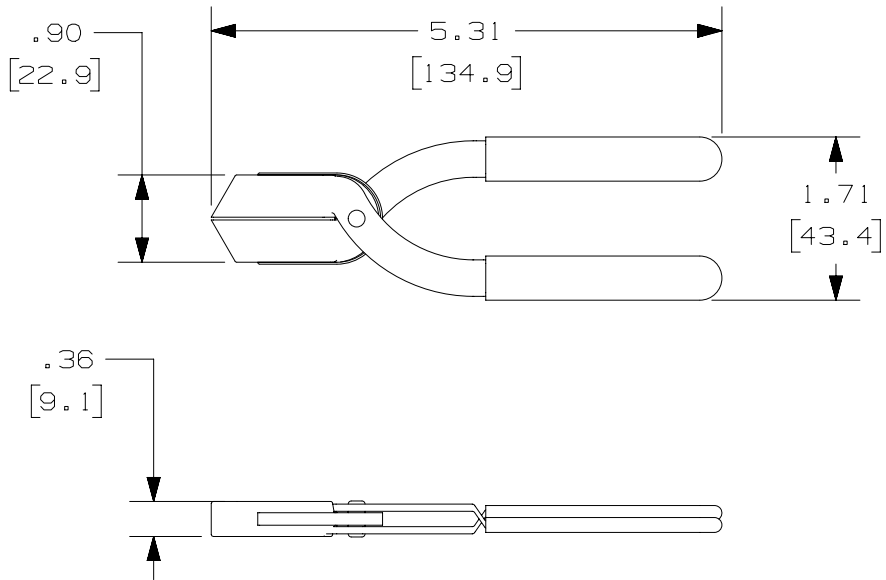


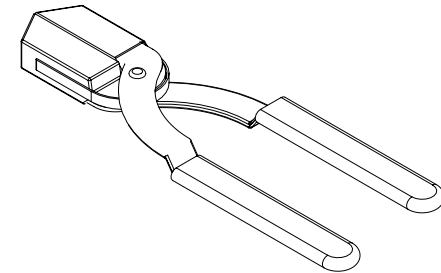
THIS COPY IS PROVIDED ON A RESTRICTED BASIS AND IS NOT TO BE USED IN ANY WAY DETRIMENTAL TO THE INTERESTS OF PANDUIT CORP.



PANDUIT P/N	WEIGHT
FBFSP	.114 LB/EA 51.75 g/EA

NOTES:

- SEE CURRENT CATALOG FOR ADDITIONAL PART SUFFIXES TO INDICATE PACKAGE QUANTITY.
- BUFFER STRIPPERS ARE USED TO STRIP 900um BUFFER OFF OF 125um CLADDING.
- DIMENSIONS IN PARENTHESES ARE IN METRIC.
- MINIMUM CUTTING DIAMETER IS 203 MICRONS (.008").



PART NUMBER		FBFSP	
TITLE			
GLASS OPTICAL FIBER KIT BUFFER STRIPPERS 203 MICRONS			
CUSTOMER DRAWING			
ITEM REVISION NAME		D35560EP/00	
DATASET FILE NAME		D35560EP_DC/00B	
UNLESS OTHERWISE SPECIFIED, DIMENSIONAL TOLERANCES ARE: IN [mm]		MATERIAL:	
.x ± .xxx ± .010 [.3]		DRAWING NUMBER:	
.xx ± .03 [.8] ANGLES ±		35560-93	
THIRD ANGLE PROJECTION		SHT 1 OF 1	
DRAWN BY	DATE	CHK	SCALE
JBA	07-07-97	CEF	NONE
REV	DATE	BY	CHK
2	3/3/15	JSP	WJM
APR	DESCRIPTION		ECN
	A. UPDATED DRAWING TITLE BLOCK.		35560-93



D10100DA/14

2

1

2

1