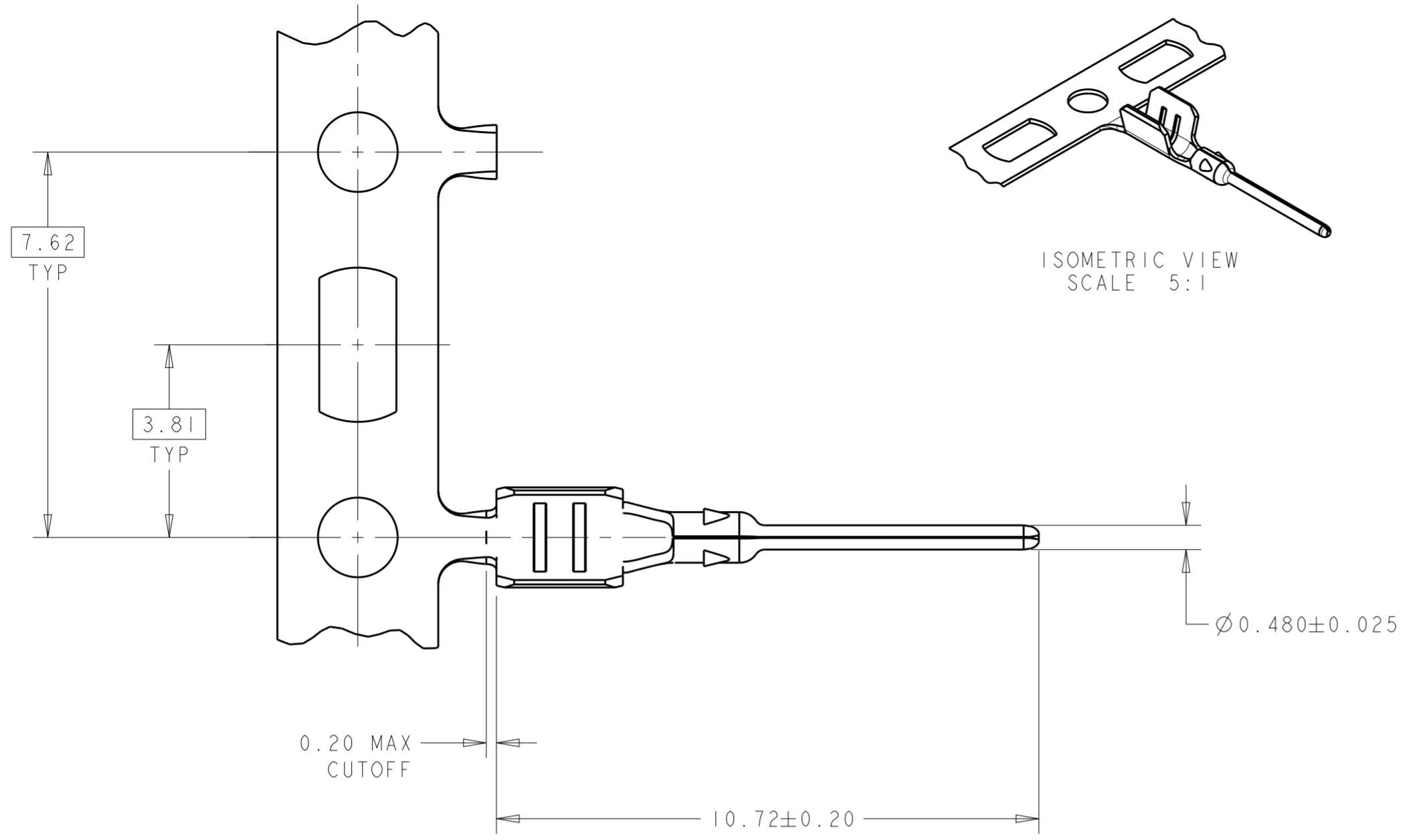
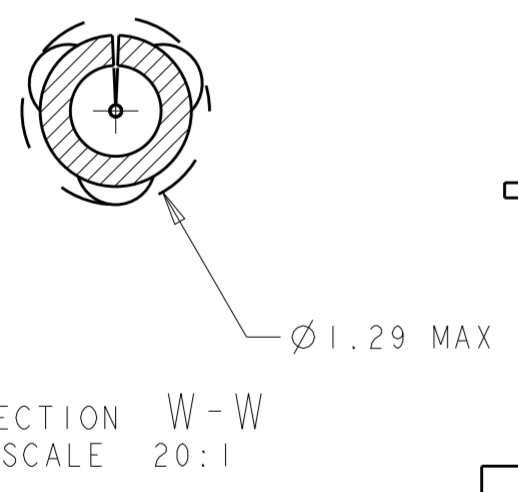
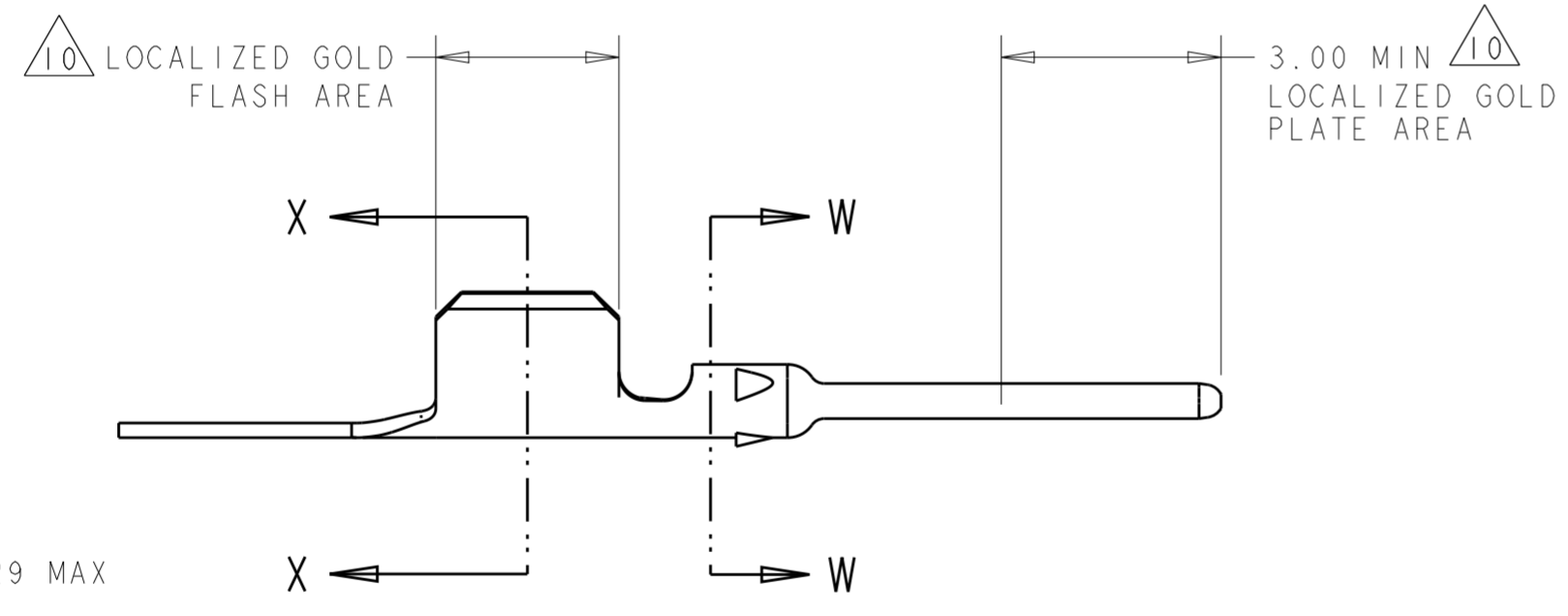
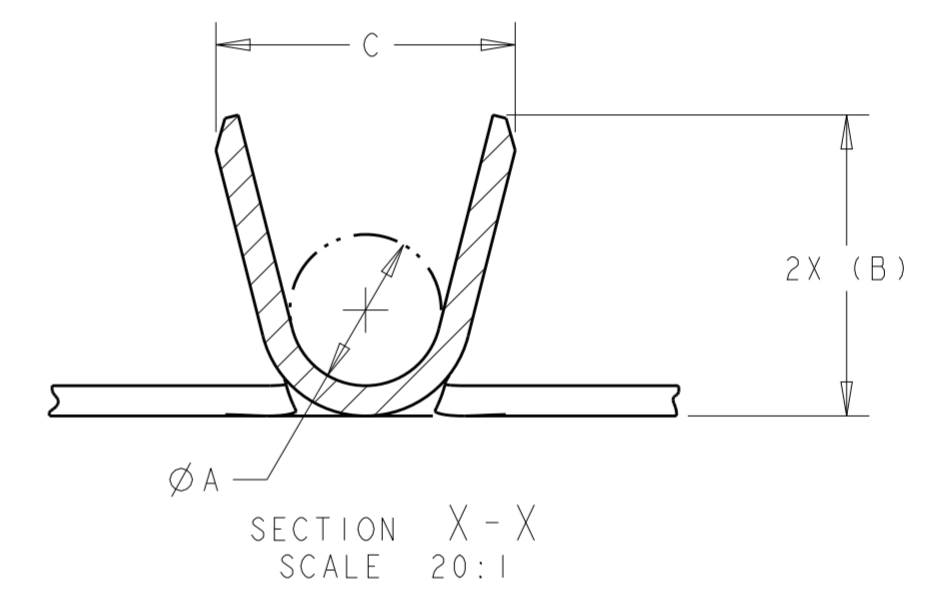


THIS DRAWING IS UNPUBLISHED. RELEASED FOR PUBLICATION 20  
 © COPYRIGHT 20 BY - ALL RIGHTS RESERVED.

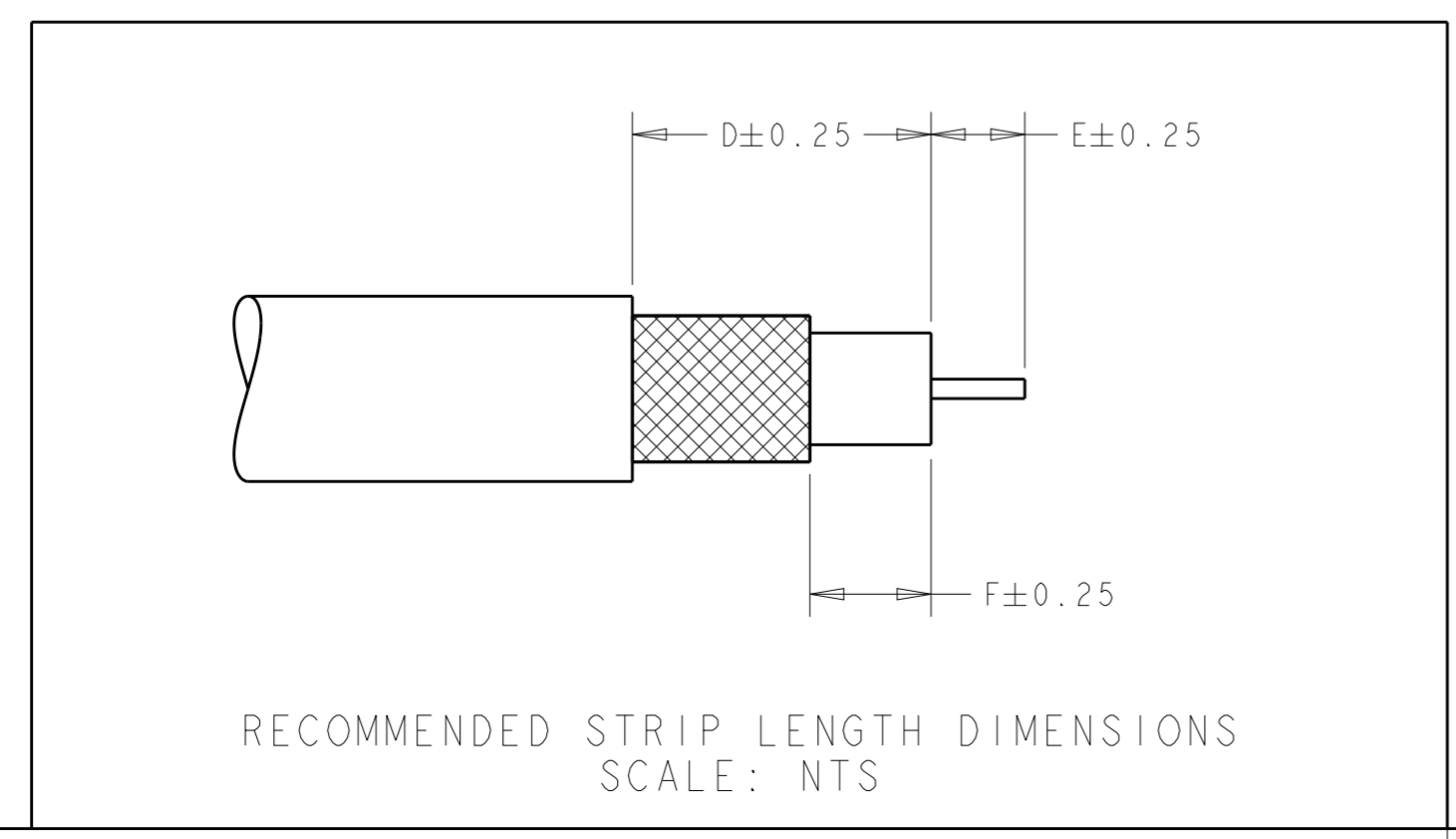
LOC	DIST	REVISIONS					
		P	LTR	DESCRIPTION	DATE	DWN	APVD
IN	00		D3	ECO-13-005286	28MAR2013	KP	LV



- 1 BRASS.
- 2 NOTE DELETED.
- 3 CRIMP PIN CONTACT USING APPLICATOR PART NUMBER 1385456-3.
- 4 CRIMP PIN CONTACT USING APPLICATOR PART NUMBER 1385675-3.
- 5 NOTE DELETED.
- 6 CRIMP PIN CONTACT USING APPLICATOR PART NUMBER 680900-1 OR 1385623-3-A.
- 7 CRIMP PIN CONTACT USING APPLICATOR PART NUMBER 680901-1 OR 1385624-3.
- 8 NOTE DELETED.
- 9. PIN CONTACT WILL ACCEPT COAXIAL CABLE: SEE TABLE.
- 10 0.76 µm MIN GOLD IN LOCALIZED GOLD PLATE AREA, GOLD FLASH IN LOCALIZED GOLD FLASH AREA, BOTH OVER 2.0 µm MIN NICKEL. GOLD FLASH ALLOWABLE ON ENTIRE PART.



4.02	3.11	9.91	1.30	1.22	0.38	RG-179	7	1438890-9	10
3.58	3.55	9.47	1.30	1.22	0.38	RG-62U/M, RG-71U/M	7		
3.58	3.55	9.47	2.03	1.73	0.76	RG-62, RG-71	6	1438890-8	10
4.02	3.11	9.91	2.03	1.73	0.76	RG-59, 59 MINI	6		
4.02	3.11	9.91	2.03	1.73	0.76	RG-174 LL, 1.5D-2VS	4	1438890-7	10
4.02	3.11	9.91	2.03	1.73	0.76	RG-316, RG-174	4		
4.02	3.11	9.91	1.98	1.99	1.00	RTK031	6	1438890-7	10
4.02	3.11	9.91	1.98	1.99	1.00	RG-58, RG-58 LL	3		
F	E	D	C	B	A	APPLICABLE CABLE SIZE		PART NUMBER	



THIS DRAWING IS A CONTROLLED DOCUMENT.

DIMENSIONS: mm	TOLERANCES UNLESS OTHERWISE SPECIFIED:	DWN 04 JAN 2005 D. J. HARDY	TE Connectivity	
		CHK 13 JAN 2005 J. W. HALL	PIN CONTACT, JACK, SMB	
		APVD 13 JAN 2005 J. W. HALL	-	
		PRODUCT SPEC	SIZE	RESTRICTED TO
		APPLICATION SPEC	A200779	-
MATERIAL	FINISH	114-13157	DRAWING NO	SCALE 10:1
1		WEIGHT	C-1438890	SHEET 1 OF 1
		CUSTOMER DRAWING		REV D3