

CM Series Single Pole Power Rocker Switches

Features/Benefits

- Illuminated versions available
- Easy to install snap-in design
- Multiple actuator and termination styles to choose from

Typical Applications

- Computers and peripherals
- Power supplies
- Industrial equipment
- Small appliances



Specifications

CONTACT RATING: 16 AMPS @ 125 VAC, 1/8 HP; 10 AMPS @ 250 VAC, 1/3 HP (UL/CSA).
ELECTRICAL LIFE: 10,000 make and break cycles at full load.
INSULATION RESISTANCE: $10^8 \Omega$ min.
DIELECTRIC STRENGTH: 1,500 VRMS @ sea level.

Materials

HOUSING AND ACTUATOR: 6/6 nylon (UL94V-2), black, gloss or matte finish.
ILLUMINATED ACTUATOR: Polycarbonate, gloss or matte finish.
CENTER CONTACTS: Silver plated, copper alloy.
END CONTACTS: Silver plated AgCdo.
ALL TERMINALS: Silver plated, copper alloy.

NOTE: Specifications and materials listed above are for switches with standard options. For information on specific and custom switches, consult Customer Service Center.

Build-A-Switch

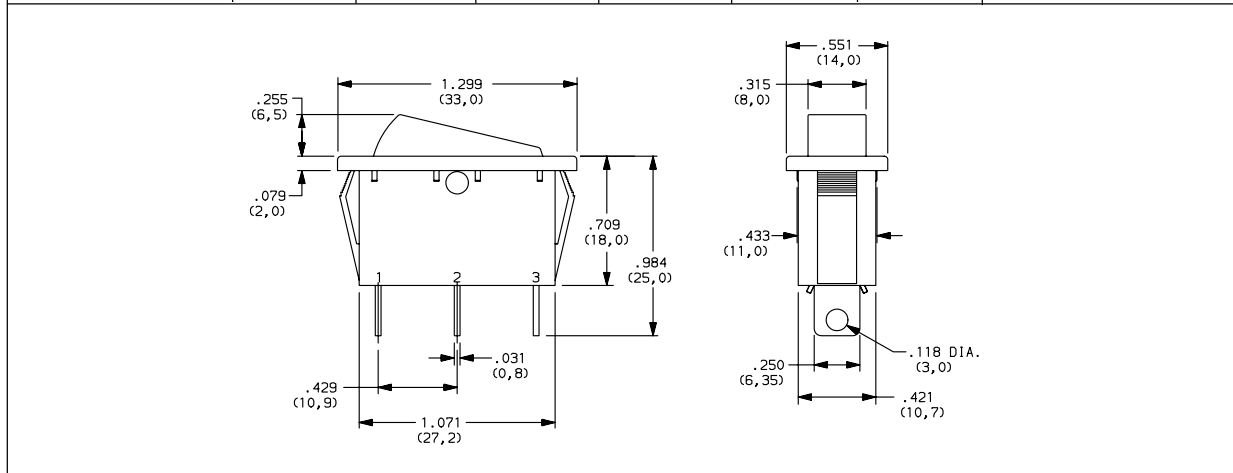
To order, simply select desired option from each category and place in the appropriate box. Available options are shown and described on pages 18 thru 20. For additional options not shown in catalog, consult Customer Service Center.

<p>Switch Function</p> <p>CM101 SPDT On-None-On CM102 SPST On-None-Off CM103 SPDT On-Off-On CM107 SPDT On-Off-Mom.</p> <p>Actuator</p> <p>J1 Rocker J3 Illuminated rocker J6 Rocker J8 Illuminated rocker</p> <p>Actuator Color</p> <p>2 (STD.) Black 1 White 3 Red R Red, illuminated A Amber, illuminated G Green, illuminated</p> <p>Mounting Style/Color</p> <p>S2 (STD.) Snap-in, black S4 (STD.) Snap-in, black S1 Snap-in, white S3 Snap-in, white</p> <p>Termination</p> <p>05 (STD.) .250" quick connect 07 Solder lug</p> <p>Actuator Marking</p> <p>(NONE) (STD.) No marking D ON-OFF H "O I" - international ON-OFF P "O -" international ON-OFF</p> <p>Contact Rating</p> <p>QA (STD.) Silver</p> <p>Lamp Rating</p> <p>(NONE) (STD.) No lamp 7 125 VAC neon 8 250 VAC neon</p>	
--	--

CM Series Single Pole Power Rocker Switches

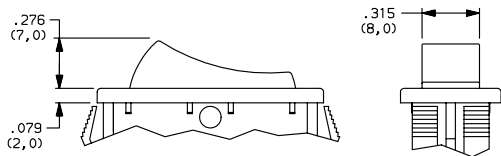
SWITCH FUNCTION

NO. POLES	MODEL NO.	SWITCH FUNCTION			CONNECTED TERMINALS			SCHEMATIC
		C&K marking on opposite side			C&K marking on opposite side			
SP	CM101	ON	NONE	ON	2-3	N/A	2-1	
	CM102	ON	NONE	OFF				 OR
	CM103	ON	OFF	ON				
	CM107	ON	OFF	MOM.				



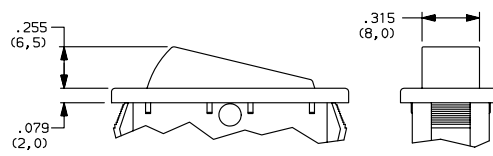
ACTUATOR

J1 ROCKER
J3 ILLUMINATED ROCKER



NOTE: J3 actuator available with CM102 switch function only.

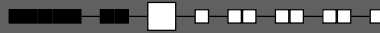
J6 ROCKER
J8 ILLUMINATED ROCKER



NOTE: J8 actuator available with CM102 switch function only.

CM Series Single Pole Power Rocker Switches

ACTUATOR COLOR



OPTION CODE	ACTUATOR COLOR
2	(STD.) BLACK
1	WHITE
3	RED
R	RED, ILLUMINATED
A	AMBER, ILLUMINATED
G	GREEN, ILLUMINATED

MOUNTING STYLE/COLOR

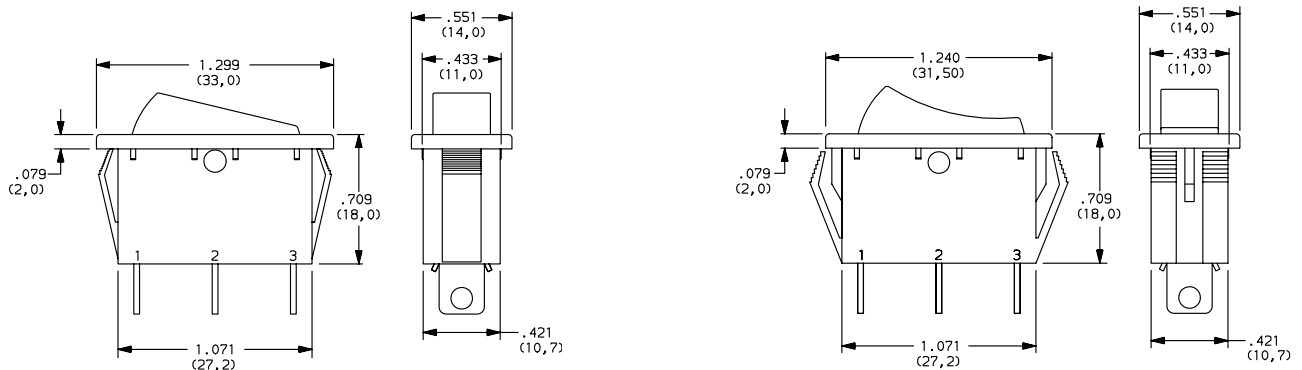


S2 (STD.) SNAP-IN, BLACK

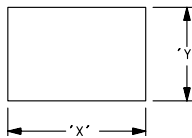
S4 (STD.) SNAP-IN, BLACK (SHORT FRAME)

S1 SNAP-IN, WHITE

S3 SNAP-IN, WHITE



PANEL MOUNTING



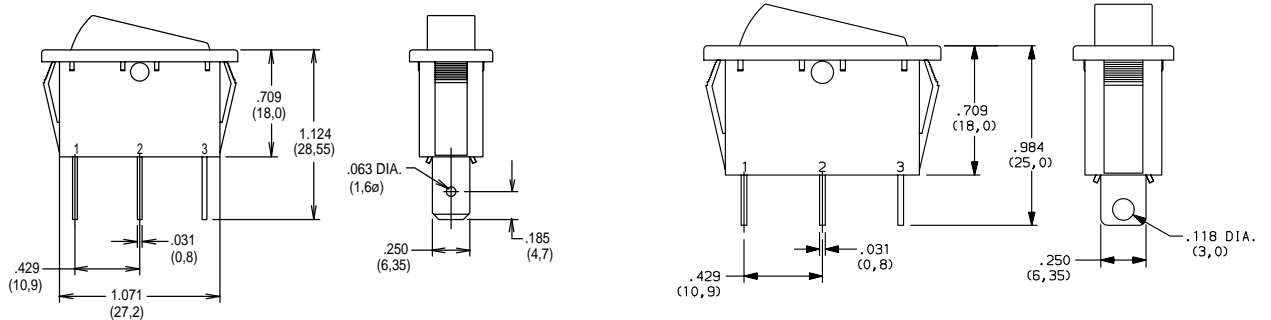
PANEL THICKNESS	"X"	"Y"
0.030-0.049 (0.75-0.25)	1.189-.004 (30,2-0.1)	0.441+.004 (11,2+0.1)
0.049-0.079 (1.25-2.0)	1.197-.004 (30,4-0.1)	0.441+.004 (11,2+0.1)
0.079-0.118 (2.0-3.0)	1.212-.004 (30,8-0.1)	0.441+.004 (11,2+0.1)

TERMINATION



05 (STD.) .250" QUICK CONNECT

07 SOLDER LUG

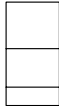


NOTE: Available with CM101 & CM102 switch functions only.

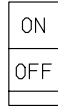
CM Series Single Pole Power Rocker Switches

ACTUATOR MARKING

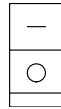
NONE (STD.) NO MARKING



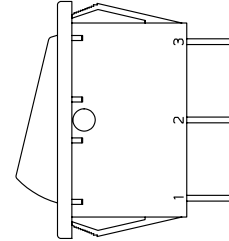
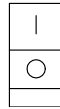
D ON-OFF



H 0-1



P 0-



NOTE: Orientation of actuator marking and terminals.

CONTACT MATERIAL

OPTION CODE	CONTACT AND TERMINAL MATERIAL	RATINGS	
QA (STD.)	SILVER	POWER	16 AMPS @ 125 VAC; 1/8 HP 10 AMPS @ 250 VAC, 1/3 HP (UL/CSA).

LAMP RATING

(NONE) NO LAMP

7 125 VAC 33kΩ NEON

8 250 VAC 150kΩ NEON

NOTE: Lamp rating for J3 & J8 actuator option.