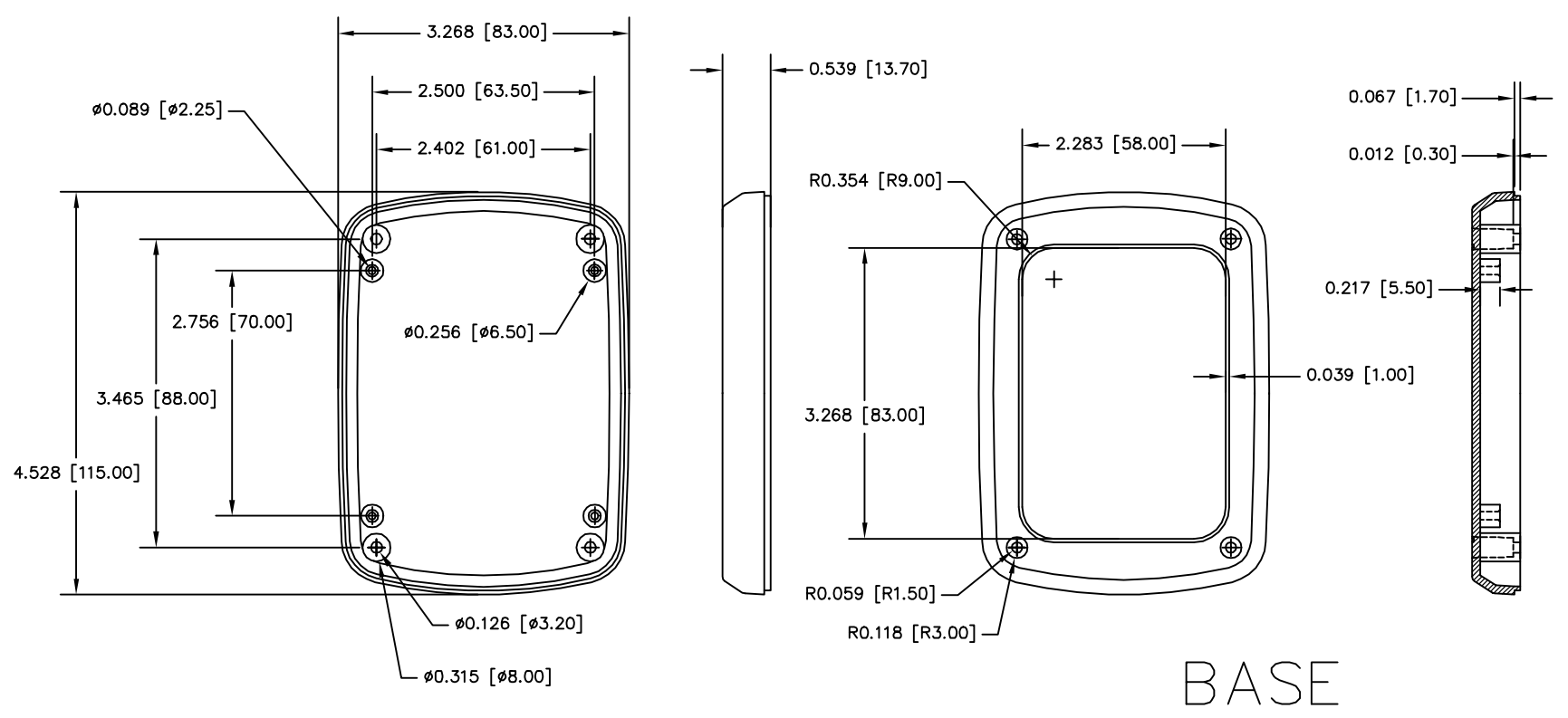
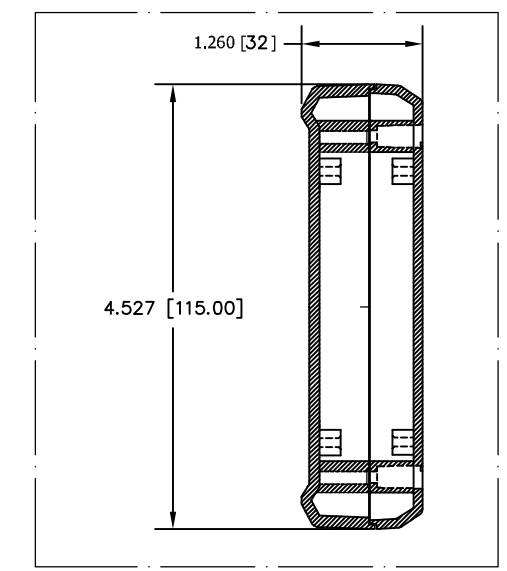


LID



BASE

MATERIAL : FLAME RETARDANT OF ABS (UL94-V0)
 COLOR: BLACK
 FINISH:
 SHELL EXTERIOR SURFACES ARE TEXTURED.
 RECESSED AREAS ON EXTERIOR ARE SMOOTH.
 FOUR (4) INTERNAL BOSSES ON EACH SHELL ARE
 DESIGNED TO TRAP PCB BETWEEN ASSEMBLED
 SHELL HALVES.
 FOUR (4) #4 SCREWS ARE SUPPLIED FOR ASSEMBLING SHELL HALVES
 ALL DIMENSIONAL TOLERANCES ARE +/-0.015

ITEM	REQ'D.	PART NO.	DESCRIPTION
TOLERANCES: ±.005 BETWEEN HOLE CENTERS ±.015 FROM SHEARED EDGE ±.032 FROM A BENT SURFACE ±.063 BETWEEN ASSEMBLED SURFACES UNLESS OTHERWISE SPECIFIED			
FINISH: BLACK DR. RD 10-13-08		SCALE: BUD BUD INDUSTRIES, INC WILLLOUGHBY, OHIO	
QTY.	USED ON	APP.	NAME: HAND-HELD BOX STYLE P 4.53 X 3.27 X 1.26 DWG. NO. HH-3643