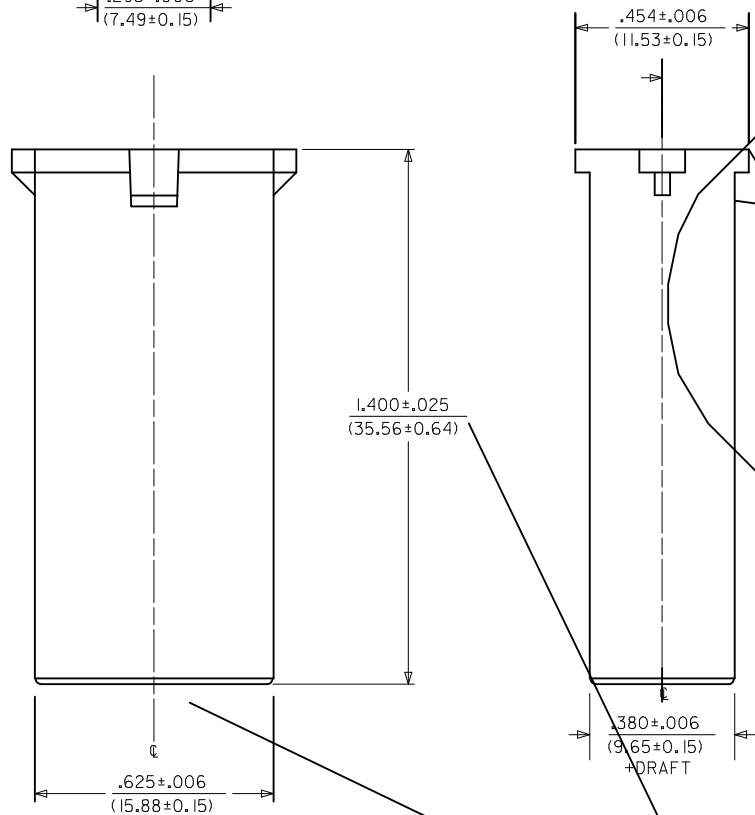
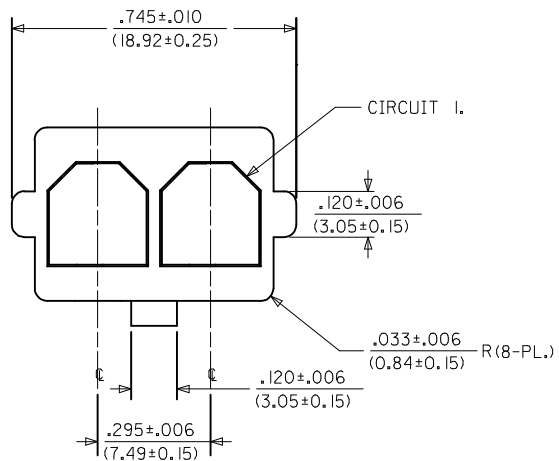


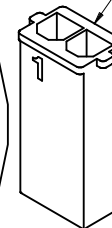
ITEM NUMBER	MATERIAL	COLOR
43680-2002	UL94V-0 NYLON	BLACK
43680-1002	UL94V-2 NYLON	NATURAL (TRANSLUCENT)
43680-3002	UL94V-2 NYLON, IEC 60335-1, GLOW WIRE CAPABLE	BLACK

NOTES:

1. MATERIAL: SEE CHART.
2. FINISH: NONE.
3. PRODUCT SPECIFICATION: PS-44441-9999.
4. PACKAGING: PK-43680-001.
5. THIS CONNECTOR HOUSING FOR USE WITH 43178-**** TERMINALS.
6. THIS CONNECTOR HOUSING WILL MATE TO 43335-***2, 43179-***2 AND 44441-***2 HOUSINGS.
7. PARTS CONFORM TO CLASS B REQUIREMENTS OF COSMETIC SPEC PS-45499-002.
- SOME PARTS MAY HAVE A BLEMISH NEAR THE GATE THAT DOES NOT AFFECT FUNCTIONALITY.



LOCKING NUB IS LOCATED HERE

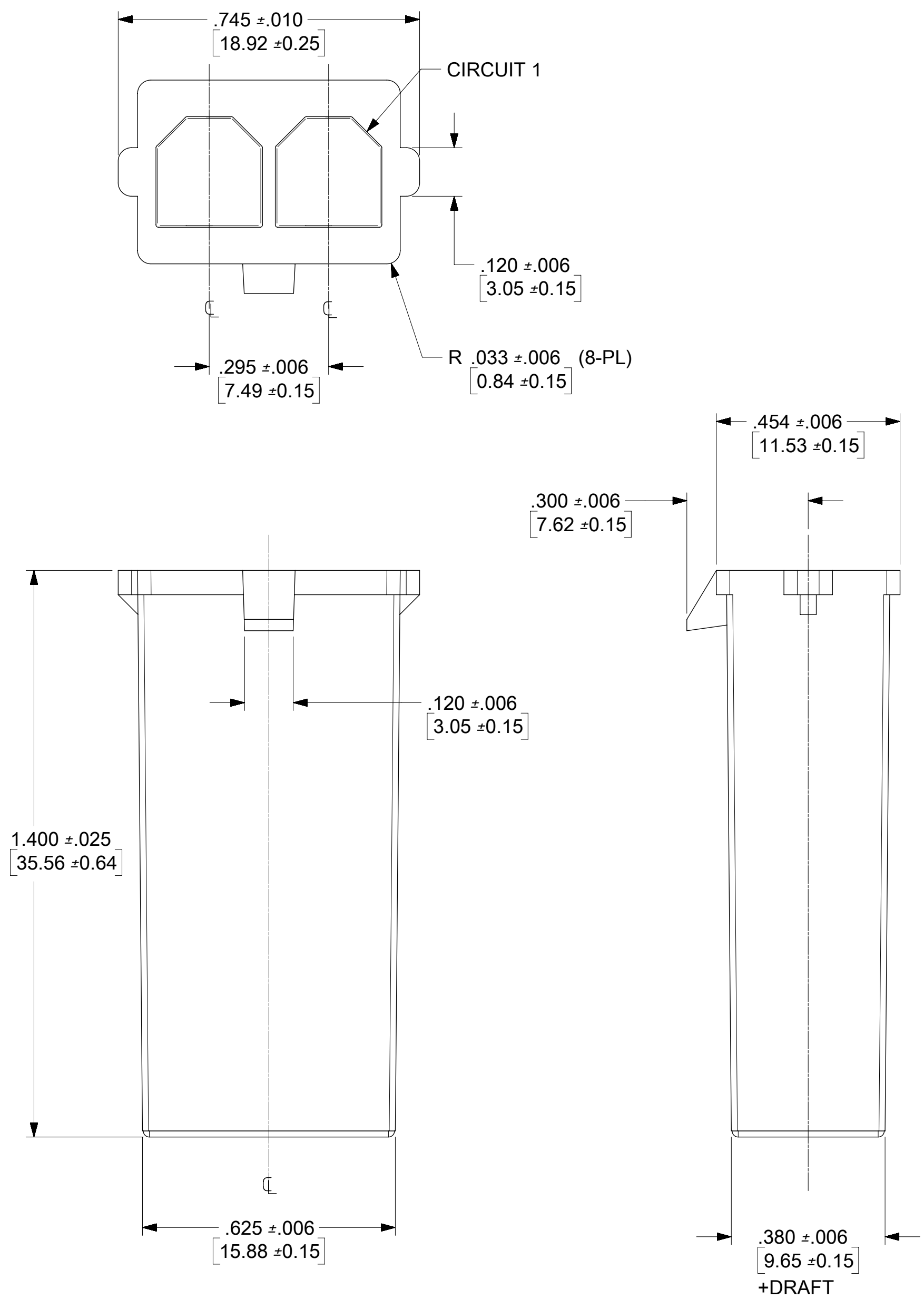


43680-*002
(NO SCALE)

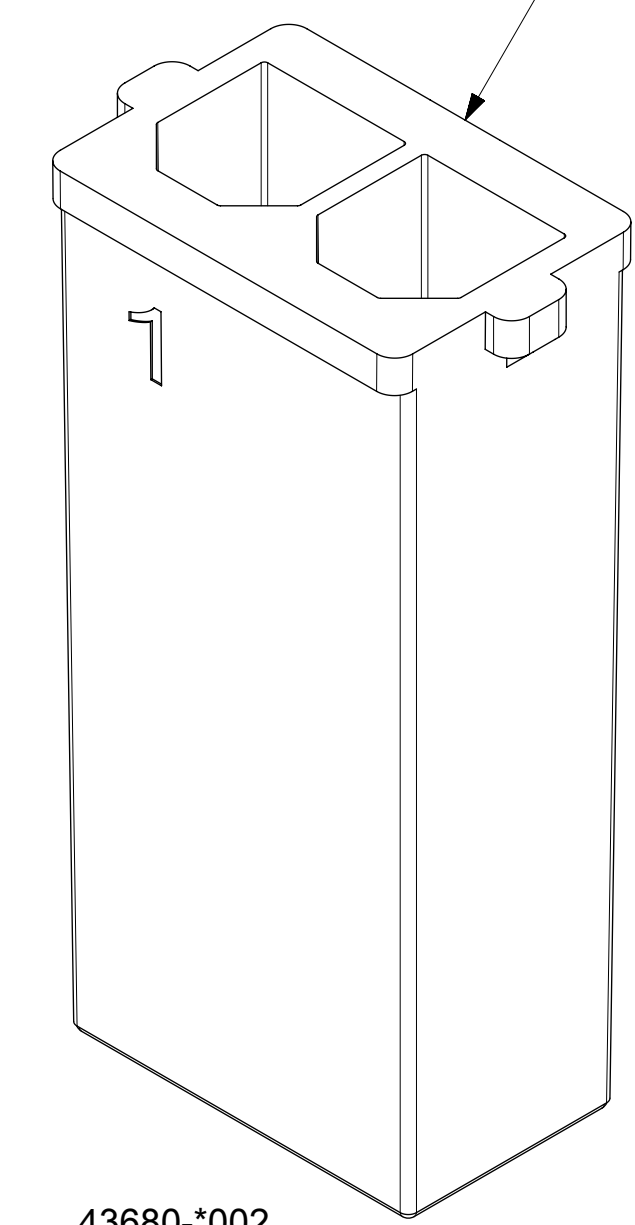
VOID EC NO: UCP2017-0974 DRAWN: BANDURA 2016/10/31 CHKD: APPR: BPTLSCZOR 2016/11/03 REV:	QUALITY SYMBOLS	GENERAL TOLERANCES (UNLESS SPECIFIED)	DIMENSION STYLE	SCALE	DESIGN UNITS	THIRD ANGLE PROJECTION
	▽=0	mm INCH	IN/MM	4:1	INCH	
	▽=0	4 PLACES ± --- ± ---	DRAWN BY DATE	VOID	2-CIR. PLUG HOUSING .125/(3.18)X.020(1.51) SABRE - TPA	
	▽=0	3 PLACES ± --- ± .010	CM 03/22/1996			
	2 PLACES ± 0.25 ± .014	CHECKED BY DATE				
	1 PLACE ± 0.35 ± ---	KBP 03/22/1998				
	0 PLACE ± --- ± ---	APPROVED BY DATE				
	ANGULAR ± 1/2°	FSMITH 2015/01/09				
	DRAFT WHERE APPLICABLE MUST REMAIN WITHIN DIMENSIONS	MATERIAL NO.	SEE CHART	DOCUMENT NO.	SD-43680-*002	SHEET NO. 1 OF 1
		SIZE C	THIS DRAWING CONTAINS INFORMATION THAT IS PROPRIETARY TO MOLEX INCORPORATED AND SHOULD NOT BE USED WITHOUT WRITTEN PERMISSION			

ITEM NUMBER	MATERIAL	COLOR
43680-2002	UL94V-0 NYLON	BLACK
43680-1002	UL94V-2 NYLON	NATURAL (TRANSLUCENT)
43680-3002	UL94V-2 NYLON, IEC 60335-1, GLOW WIRE CAPABLE	BLACK

- NOTES:
1. MATERIAL: SEE CHART.
 2. FINISH: NONE.
 3. PRODUCT SPECIFICATION: PS-44441-9999.
 4. PACKAGING: PK-43680-001.
 5. THIS CONNECTOR HOUSING FOR USE WITH 43178-**** TERMINALS.
 6. THIS CONNECTOR HOUSING WILL MATE TO 43335-***2, 43179-***2 AND 44441-***2 HOUSINGS.
 7. PARTS CONFORM TO CLASS B REQUIREMENTS OF COSMETIC SPEC PS-45499-002.
- SOME PARTS MAY HAVE A BLEMISH NEAR THE GATE THAT DOES NOT AFFECT FUNCTIONALITY.



LOCKING NUB IS LOCATED HERE



43680-*002
SCALE 4:1

QUALITY SYMBOLS	THIS DRAWING CONTAINS INFORMATION THAT IS PROPRIETARY TO MOLEX ELECTRONIC TECHNOLOGIES, LLC AND SHOULD NOT BE USED WITHOUT WRITTEN PERMISSION											
∇ = 0	RE-MASTERED IN ELECTR EC NO: 111498 DRWN: RMV02 CHKD: BPISSZCZOR REV / APPR:	2016/04/25	2016/12/15	GENERAL TOLERANCES (UNLESS SPECIFIED)		DIMENSION UNITS	SCALE	molex [®]				
∇ = 0				ANGULAR TOL $\pm 0.5^\circ$		IN/MM	4:1					
∇ = 0				4 PLACES \pm		DRWN BY	DATE	2-CIR. PLUG HOUSING .125/[3.18]X.020[1.51] SABRE - TPA				
∇ = 0				3 PLACES ± 0.01		CM	03/22/1996					
∇ = 0				2 PLACES ± 0.014		CHKD BY	DATE	PRODUCT CUSTOMER DRAWING				
∇ = 0				1 PLACE \pm		KBP	03/22/1988					
∇ = 0				0 PLACES \pm		APPR BY	DATE	SERIES MATERIAL NUMBER CUSTOMER 43680 SEE CHART GENERAL MARKET				
∇ = 0				DRAFT WHERE APPLICABLE MUST REMAIN WITHIN DIMENSIONS		FSMITH	2015/01/09					
∇ = 0				A	C	DRAWING SIZE THIRD ANGLE PROJECTION		DOCUMENT NUMBER		DOC TYPE	DOC PART	SHEET NUMBER
								436800002	PSD	000	1 OF 1	