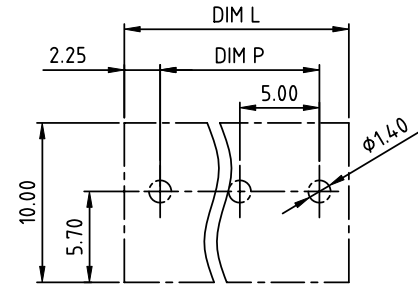
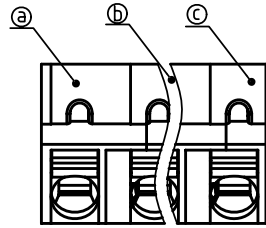
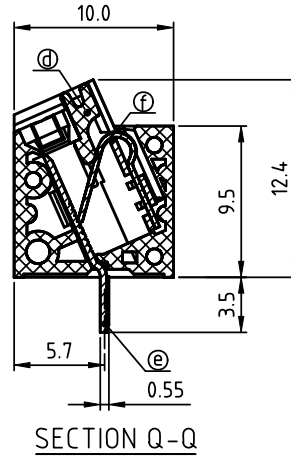
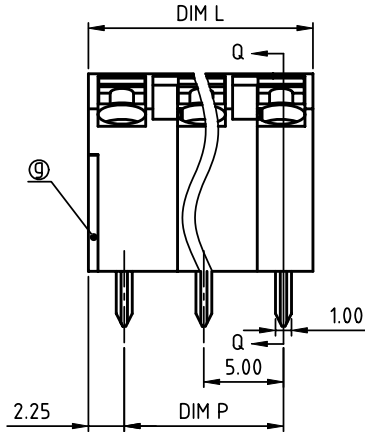


PRODUCT NUMBER	PITCH
NHxx70x000J0G	5.00mm



RECOMMENDED P.C.B LAYOUT
TOP VIEW



SECTION Q-Q

Material:

- Item (a) Terminal with cover of body: Thermoplastic (UL94V-0)
- Item (b) Terminal normal body: Thermoplastic (UL94V-0)
- Item (c) Terminal side body: Thermoplastic (UL94V-0)
- Item (d) Terminal lever: Thermoplastic (UL94V-0) Orange (RAL2011/P)
- Item (e) Female Contact: Brass, Tin Plated.
- Item (f) Spring clamp: Stainless steel
- Item (g) Terminal cover: Thermoplastic (UL94V-0)

Electrical:

- Voltage rating: 300 V
- Current rating: 10A
- Wire range:
- Solid wire (AWG): 16-26
- Stranded wire (AWG): 16-26
- Wire strip length: 8-9 mm
- Withstanding Voltage: 1.6 KV
- Operating temperature: -40°C to +115°C
- Soldering temperature: 260°C ±5°C/5 Sec
- Safety Approval:

N=Number of poles

Dim L=(N-1)×5.0+4.1
Dim P=(N-1)×5.0

POLES	DIM L	DIM P
1p	±0.10	
2p-6p	±0.10	±0.10
7p-12p	±0.20	±0.20
13p-18p	±0.30	±0.30
19p-24p	±0.40	±0.40

PART NO.: NH xx 70 x 000J0 G

No. of poles	Color	RoHS compliant
0	Black (RAL9005)	(lead<4%)
End Stackable	2 Red (RAL3001/D)	In copper Alloy
01	1 poles 3 Orange (RAL2011/P)	
02	2 poles 4 Yellow (RAL1018/A)	
...	...	
5	Green (RAL6018/T)	
24	24 poles 6 Blue (RAL5015/A)	
	8 Grey (RAL7004/P)	
	9 White (RAL1102)	
	C Multiple colors	

mat'l. code		surface ASME Y14.5	tolerance ASME Y14.5	projection 	product family TERMINAL BLOCK
ltr	ecn no	dr	date		title TERMINAL BLOCK
tolerances unless otherwise specified				MM	SPRING CLAMP, 66D WIRE INLET
angles X°±1'				scale	dwg no NHxx70x000J0G
dr EVIN ZHONG 060314					sheet 1 of 1
enr EVIN ZHONG 060314					size A4
chr HANKE FENG 060314					
appd SHI JUN 060314					type CUSTOMER Drawing
sheet index	revision	A			
	sheet	1			