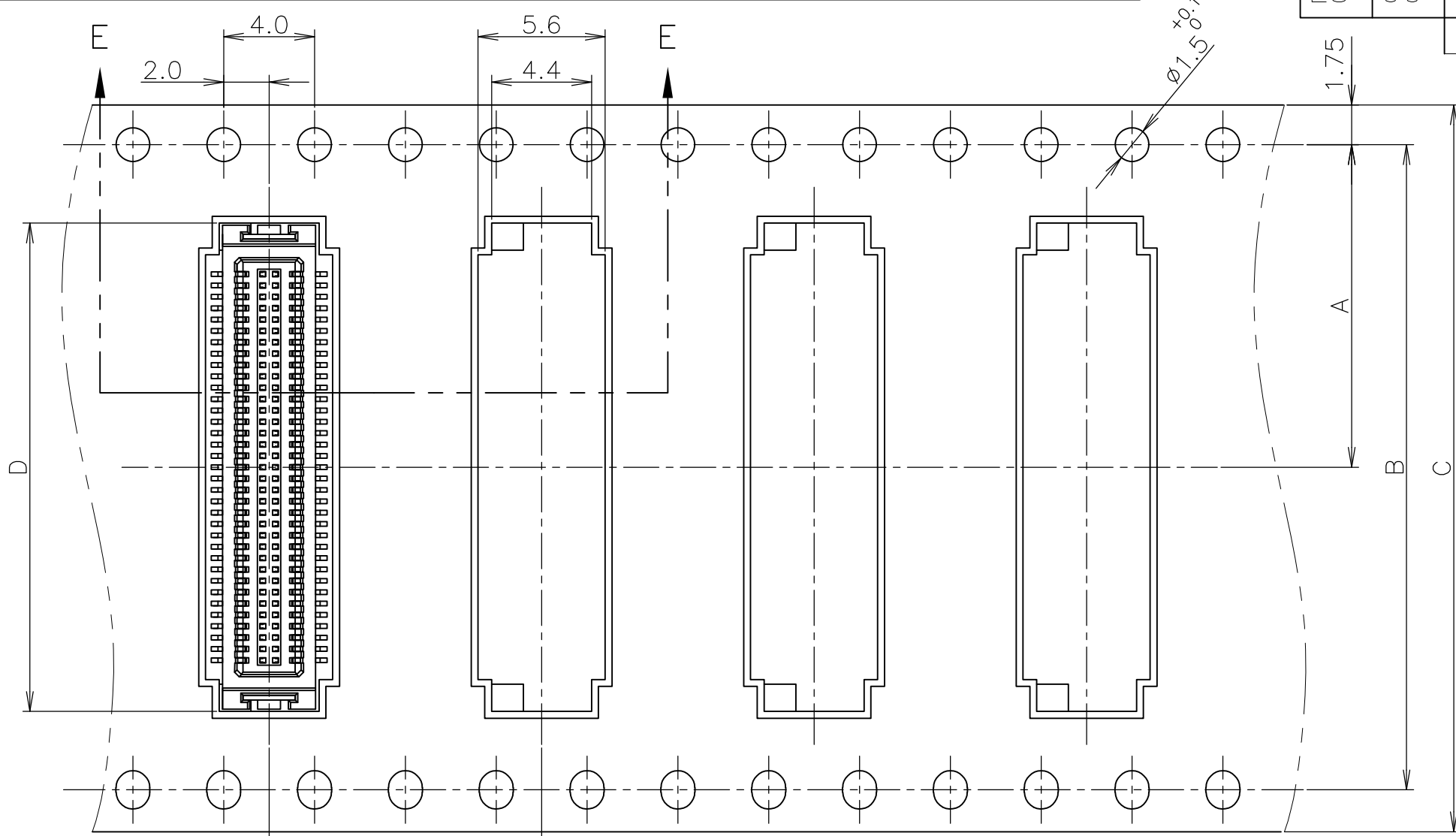


THIS DRAWING IS UNPUBLISHED. RELEASED FOR PUBLICATION APR. 2004.
 © COPYRIGHT 2004 By -- ALL RIGHTS RESERVED.

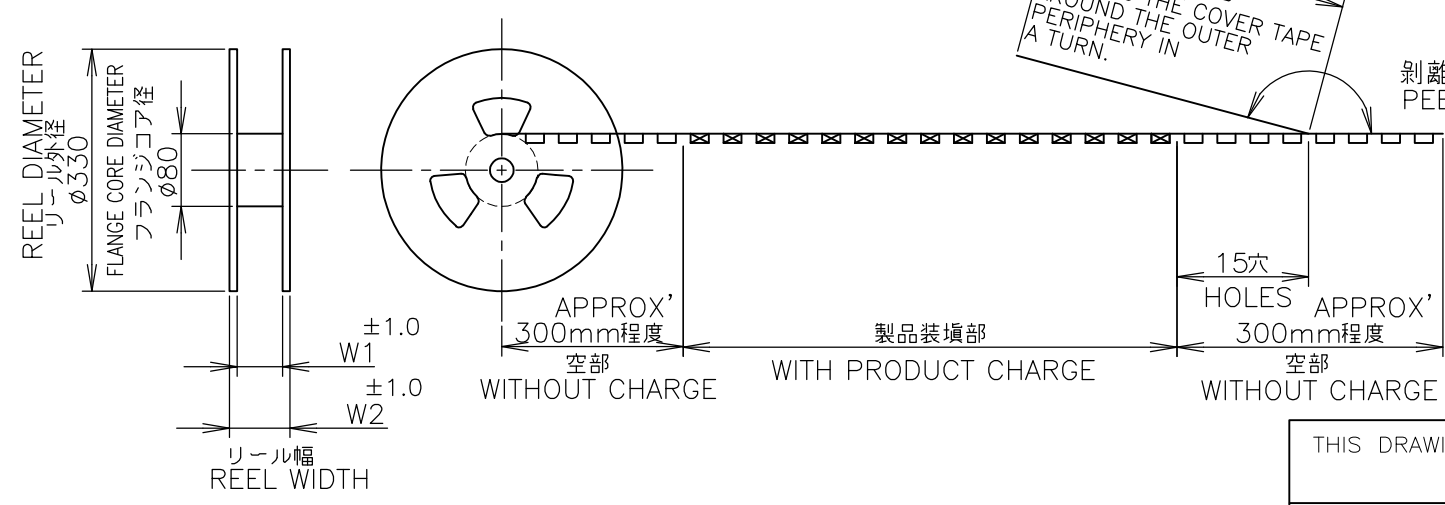
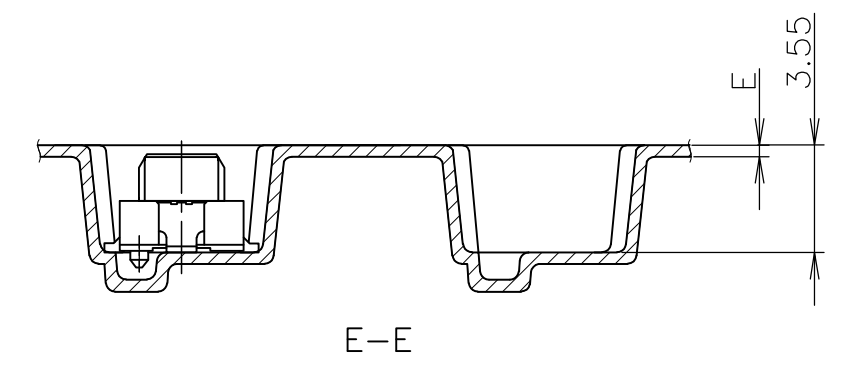
LOC ES DIST 00

| REVISIONS | | | | DATE | DWN | APVD |
|-----------|-----|---------------------------|-----------|------|-----|------|
| P | LTR | DESCRIPTION | | | | |
| B | | REVISED PER ECR-14-013112 | 30JAN2015 | I.T | W.H | |



テープ幅
TAPE WIDTH

引出し方向
TOP OF REEL →



カバーテープ
リーダーテープ
外周巻
WEEDING THE COVER TAPE
AROUND THE OUTER
PERIPHERY IN
A TURN.
剥離角度、 $165^{\circ} \sim 180^{\circ}$
PEELING ANGLE.

FOR P/N *-1,-3,-4,-5,-6,-9,
5-*-3,5-*-5

THIS DRAWING IS A CONTROLLED DOCUMENT.

| | |
|----------------------------|---|
| DIMENSIONS: 単位: 耗 MM | TOLERANCES UNLESS OTHERWISE SPECIFIED: 一般公差 |
| | 0 PLC ± 0.3 |
| | 1 PLC ± 0.3 |
| | 2 PLC ± 0.3 |
| | 3 PLC ± 0.3 |
| | 4 PLC ± 0.3 |
| | ANGLES ± 3' |
| MATERIAL 材料 | FINISH 仕上 |

| | | |
|--|--|------------------------|
| INSTRUCTION SHEET 取扱説明書 411-5808 | WIRE RANGE 抱合電線断面積 | INSULATION DIA 被覆外径 |
| DWN Y.NAKAZAWA 23APR04 | TE Connectivity | |
| CHK T.KUSUHARA 23APR04 | | |
| APVD H.MURAMATSU 23APR04 | NAME 名称 | |
| PRODUCT SPEC 製品規格 108-5496 | ON TAPING (EMBOSS) 0.5mm PITCH FINE MATE CONN. RECEPTACLE ASSEMBLY | |
| APPLICATION SPEC 取付適用規格 | SIZE A3 | CAGE CODE 00779 |
| WEIGHT | DRAWING NO 番号 C-1565357 | RESTRICTED TO |
| CUSTOMER DRAWING | SCALE 尺度 4:1 | SHEET 1 OF 3 |
| | | REV B |

THIS DRAWING IS UNPUBLISHED.

RELEASED FOR PUBLICATION

APR, 2004.

LOC ES DIST 00

REVISIONS

変更

DESCRIPTION

DATE

DWN

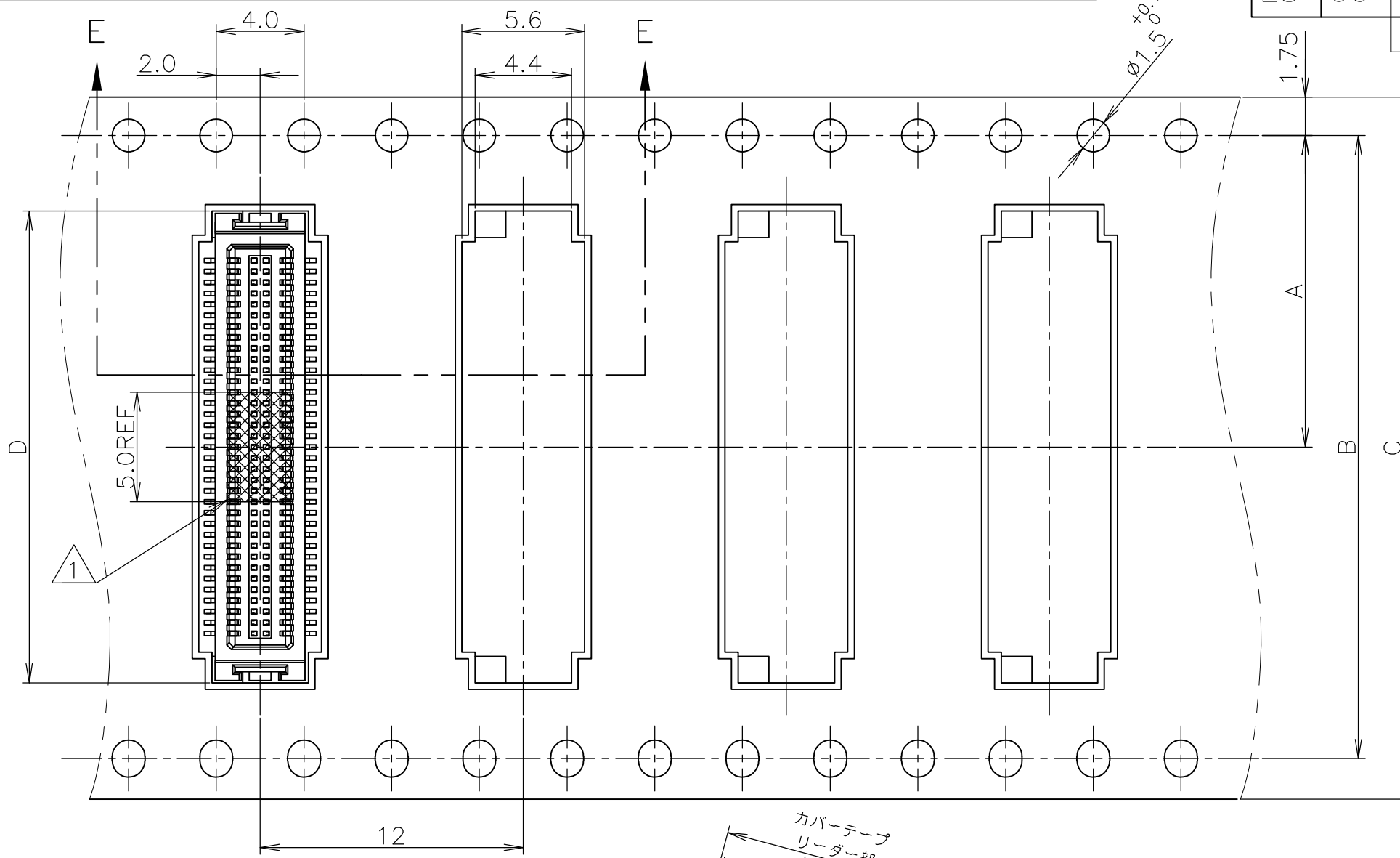
APVD

© COPYRIGHT 2004 By -

ALL RIGHTS RESERVED.

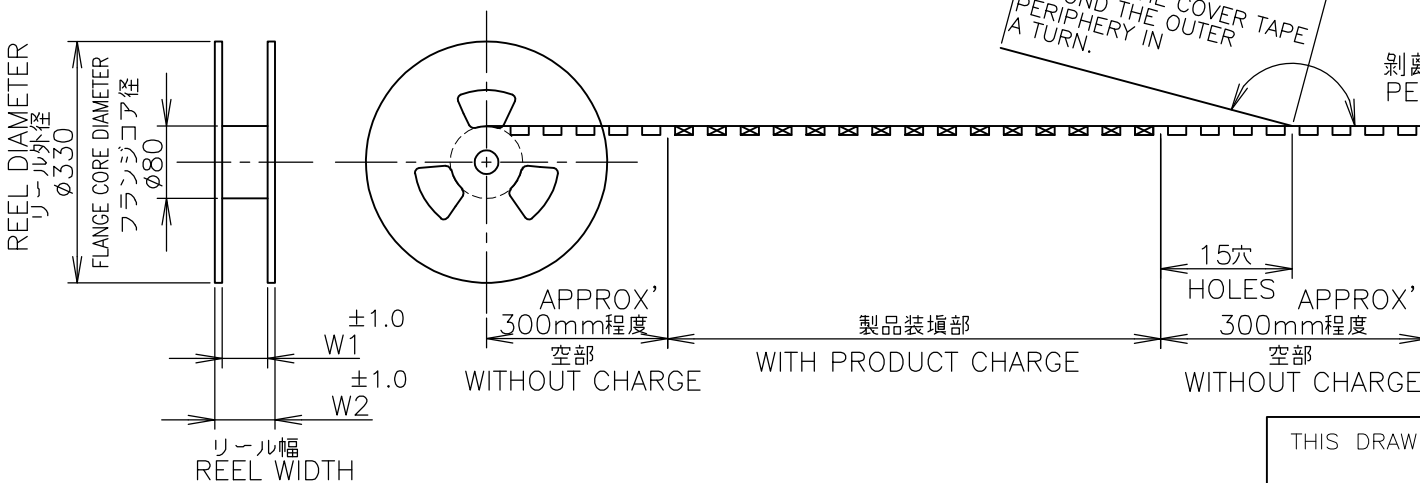
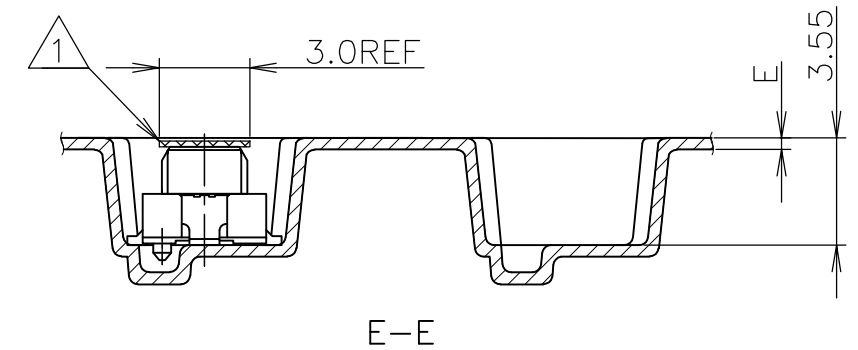
P LTR

SEE SHEET 1



テープ幅
TAPE WIDTH

引出し方向
TOP OF REEL →



カバーテープ
リーダー部
外周一巻
WEEDING THE COVER TAPE
AROUND THE OUTER
PERIPHERY IN
A TURN.

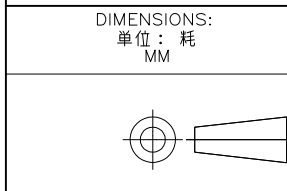
剝離角度、 $165^{\circ} \sim 180^{\circ}$
PEELING ANGLE.

NOTES:

△ 1 POLYIMIDE TAPE FOR PICK AND PLACE.

FOR P/N 1-* -1

THIS DRAWING IS A CONTROLLED DOCUMENT.



| DIMENSIONS: 単位: 耗 MM | TOLERANCES UNLESS OTHERWISE SPECIFIED: 一般公差 |
|----------------------------|---|
| 0 PLC | ± 0.3 |
| 1 PLC | ± 0.3 |
| 2 PLC | ± 0.3 |
| 3 PLC | ± 0.3 |
| 4 PLC | ± 0.3 |
| ANGLES | $\pm 3^{\circ}$ |

MATERIAL
材料

FINISH
仕上

| | | |
|----------------------------|--|------------------------|
| INSTRUCTION SHEET 取扱説明書 | WIRE RANGE 抱合電線断面積 | INSULATION DIA 被覆外径 |
| DWN | TE Connectivity | |
| CHK | | |
| APVD | NAME 名称 | |
| PRODUCT SPEC 製品規格 | ON TAPING (EMBOSS) 0.5mm PITCH FINE MATE CONN. RECEPTACLE ASSEMBLY | |
| APPLICATION SPEC 取付適用規格 | SIZE | CAGE CODE |
| WEIGHT | A3 | 00779 |
| CUSTOMER DRAWING | DRAWING NO 番号 | RESTRICTED TO |
| | G-1565357 | |
| | SCALE 尺度 4:1 | SHEET 2 of 3 |
| | | REV B |

THIS DRAWING IS UNPUBLISHED. RELEASED FOR PUBLICATION APR , 2004.
 © COPYRIGHT 2004 By - ALL RIGHTS RESERVED.

| | | | | | | | |
|-----|------|-----------------|-----|-------------|------|-----|------|
| LOC | DIST | REVISIONS 変更 | | | | | |
| ES | 00 | P | LTR | DESCRIPTION | DATE | DWN | APVD |
| | | - | | SEE SHEET 1 | | | |

| | | | | | | | | | | | | |
|--------------|---------------|------|------|------|------|----|------|------|----------|-----|---------------|-------------|
| WITH BOSS | WITHOUT MYLAR | 37.5 | 33.5 | 0.4 | 19.1 | 32 | 28.4 | 14.2 | 1000 | 60 | 5-1565358-5 | 5-1565357-5 |
| | | 50.5 | 45.5 | 0.4 | 24 | 44 | 40.4 | 20.2 | 1000 | 80 | 5-1565358-3 | 5-1565357-3 |
| WITHOUT BOSS | WITH MYLAR | 49.5 | 45.5 | 0.38 | 29.1 | 44 | 40.4 | 20.2 | 1000 | 100 | 1-1565358-1 | 1-1565357-1 |
| | WITHOUT MYLAR | 20.2 | 17.5 | 0.4 | 9.1 | 16 | +- | 7.5 | 1000 | 20 | 1565358-9 | 1565357-9 |
| | | 29.5 | 25.5 | 0.38 | 16.6 | 24 | +- | 11.5 | 1000 | 50 | 1565358-6 | 1565357-6 |
| | | 37.5 | 33.5 | 0.38 | 19.1 | 32 | 28.4 | 14.2 | 1000 | 60 | 1565358-5 | 1565357-5 |
| | | 37.5 | 33.5 | 0.4 | 21.9 | 32 | 28.4 | 14.2 | 1000 | 70 | 1565358-4 | 1565357-4 |
| | | 50.5 | 45.5 | 0.4 | 24 | 44 | 40.4 | 20.2 | 1000 | 80 | 1565358-3 | 1565357-3 |
| | | 49.5 | 45.5 | 0.38 | 29.1 | 44 | 40.4 | 20.2 | 1000 | 100 | 1565358-1 | 1565357-1 |
| BOSS | MYLAR | W2 | W1 | E | D | C | B | A | QTY/REEL | POS | CONNECTOR P/N | TAPING P/N |

ⓑ OBSOLETE

THIS DRAWING IS A CONTROLLED DOCUMENT.

| | |
|----------------------------|--|
| DIMENSIONS: 単位: 耗 MM | TOLERANCES UNLESS OTHERWISE SPECIFIED: 一般公差 |
| | 0 PLC ± 0.3 1 PLC ± 0.3 2 PLC ± 0.3 3 PLC ± 0.3 4 PLC ± 0.3 ANGLES ± 3' |
| MATERIAL 材料 | FINISH 仕上 |

| | | |
|----------------------------|--|------------------------|
| INSTRUCTION SHEET 取扱説明書 | WIRE RANGE 抱合電線断面積 | INSULATION DIA 被覆外径 |
| DWN | TE Connectivity | |
| CHK | ON TAPING (EMBOSS) 0.5mm PITCH FINE MATE CONN. RECEPTACLE ASSEMBLY | |
| APVD | NAME 名称 | RESTRICTED TO |
| PRODUCT SPEC 製品規格 | SIZE CAGE CODE DRAWING NO 番号 | |
| APPLICATION SPEC 取付適用規格 | A3 00779 C-1565357 | |
| WEIGHT | SCALE 尺度 4:1 | SHEET 3 OF 3 REV B |
| CUSTOMER DRAWING | | |