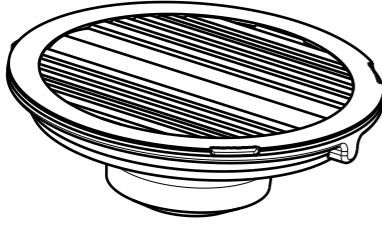
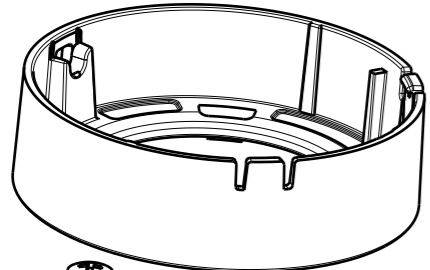


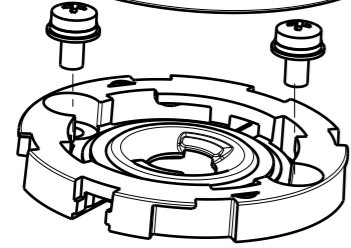
4



Ronda optics



F15635_RONDA-HLD-C

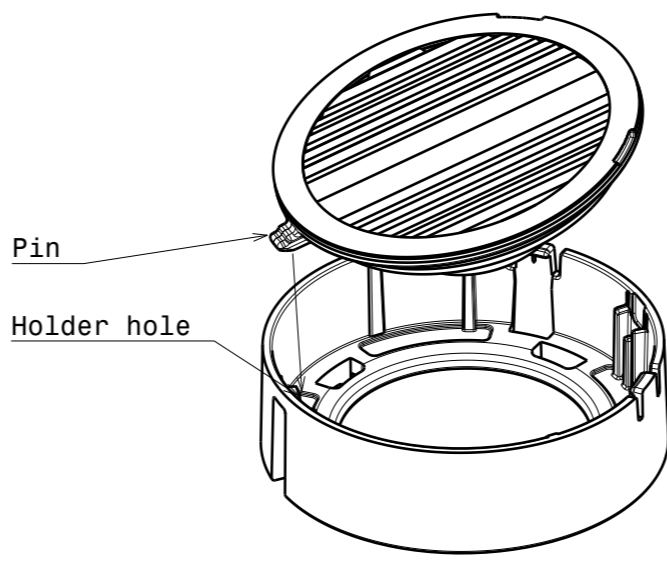


M3 screw+washer

Hekla socket, see compatibility www.ledil.com

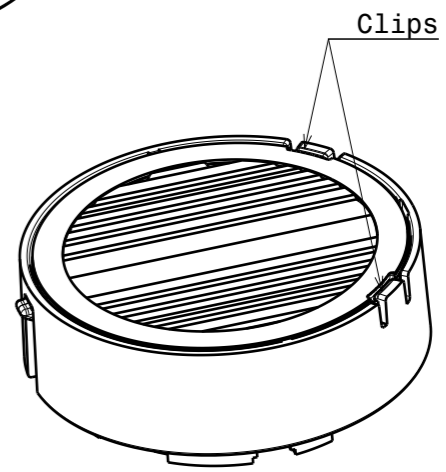
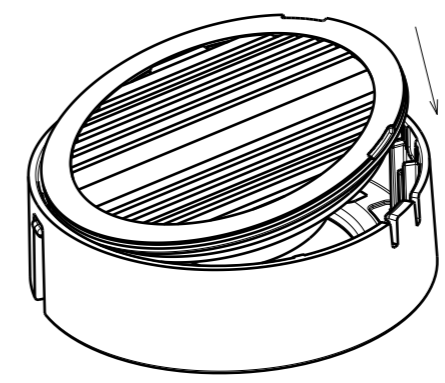


Led, see compatibility www.ledil.com



OPTIC/HOLDER ASSEMBLY

1. Place pin on the side of the lens into relative hole on the holder.
2. Press the lens under clips on the holder, ensuring both clips are fixed.



Clips

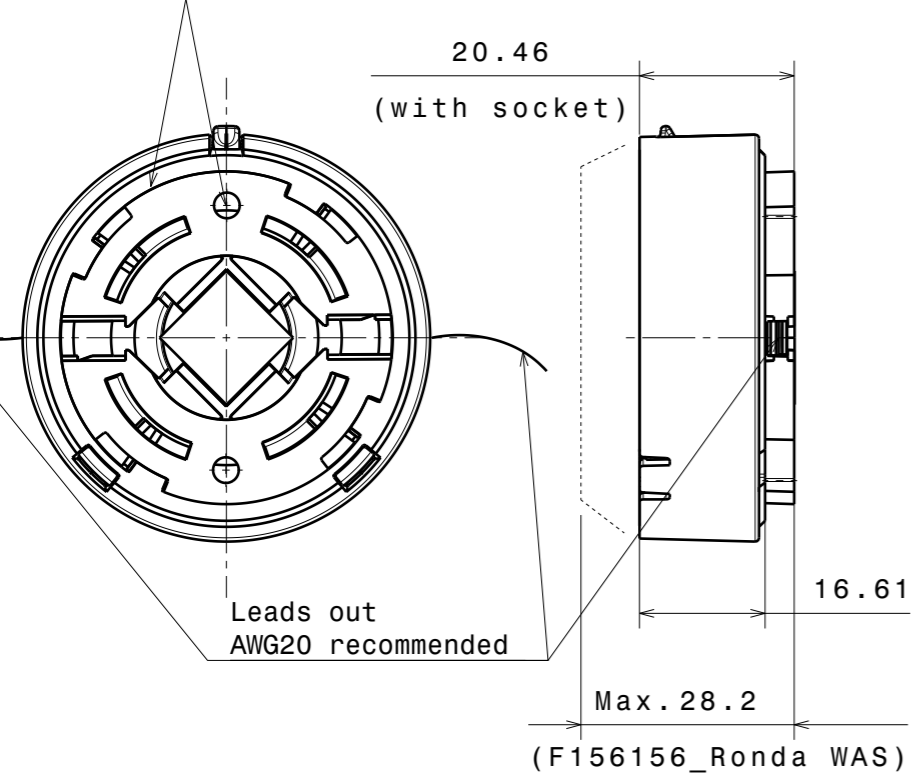
3

3

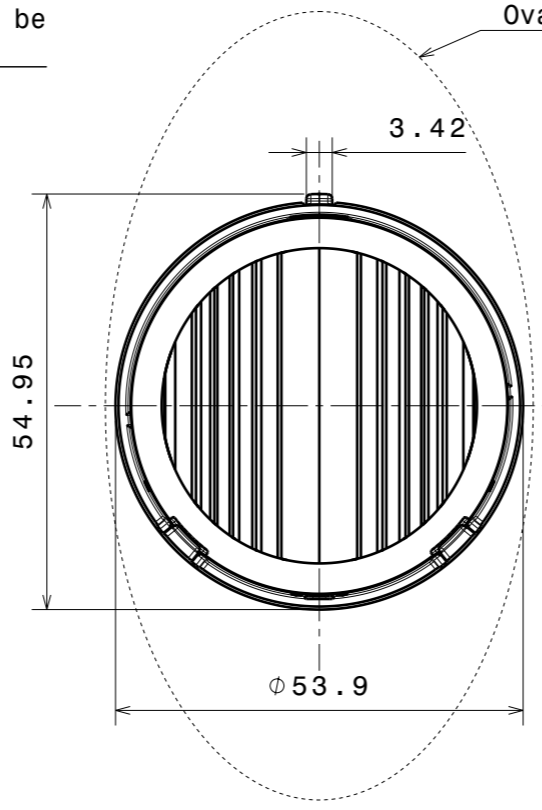
2

2

Holder C can be turned 90°->fixing screw can be at beam direction or 90°angle to it



Oval beam direction



Tolerances if not otherwise shown
According to DIN ISO 2768-1
Linear measures:
Up to 30mm class M, otherwise class C.
According to DIN ISO 2768-2
Form and position: class L

LEDiL Ledil Oy
Salorankatu 10
FIN 24240 SALO
Finland

THIRD ANGLE PROJECTION:

DRAWING TITLE
RONDA-C_Datasheet

This drawing is the property of LEDiL Oy. It may not be reproduced, copied or communicated without a written agreement with LEDiL Oy.

SIZE	PART NUMBER		
A3			

SCALE	1:1	WEIGHT		SHEET	1/1
-------	-----	--------	--	-------	-----

1

1