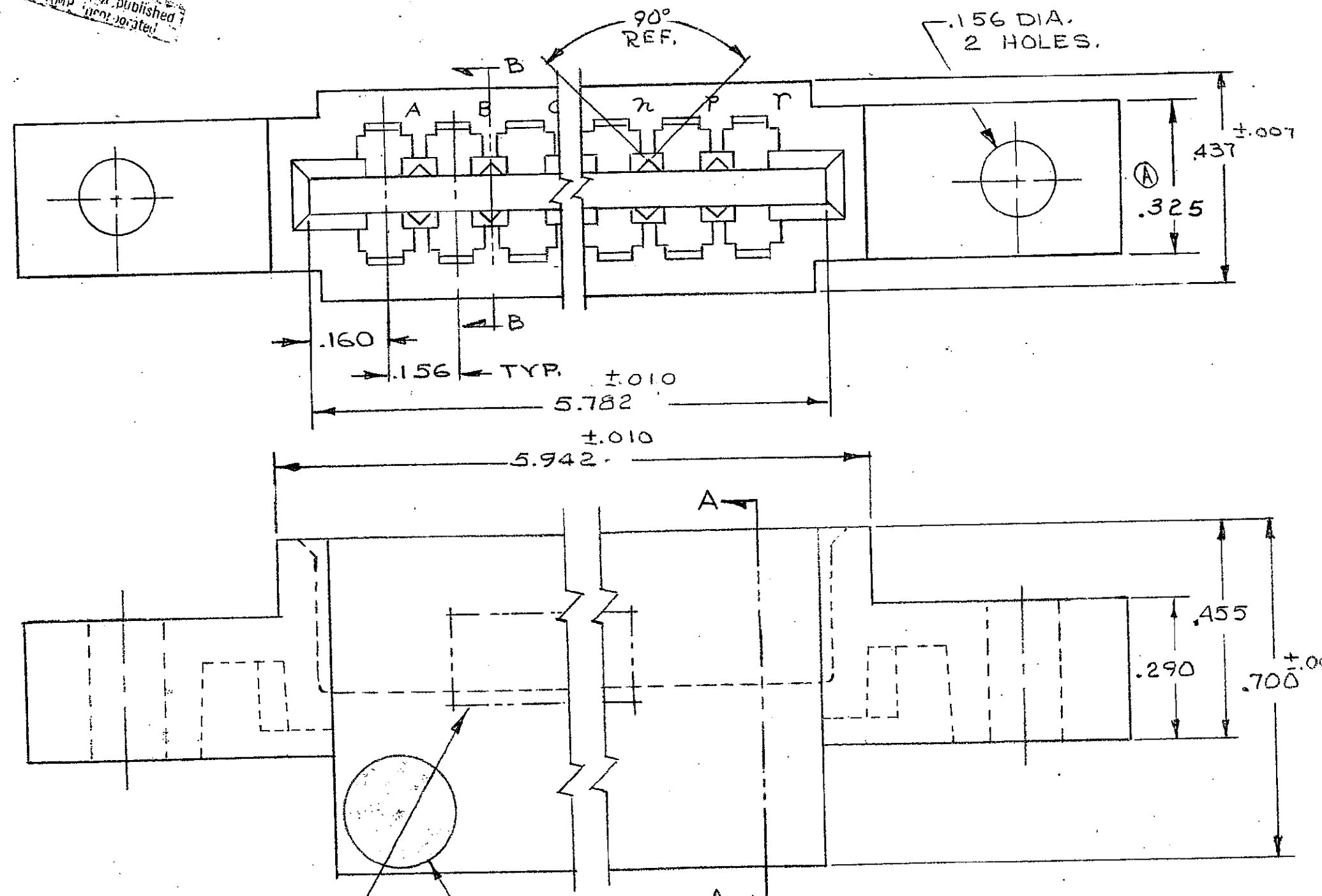
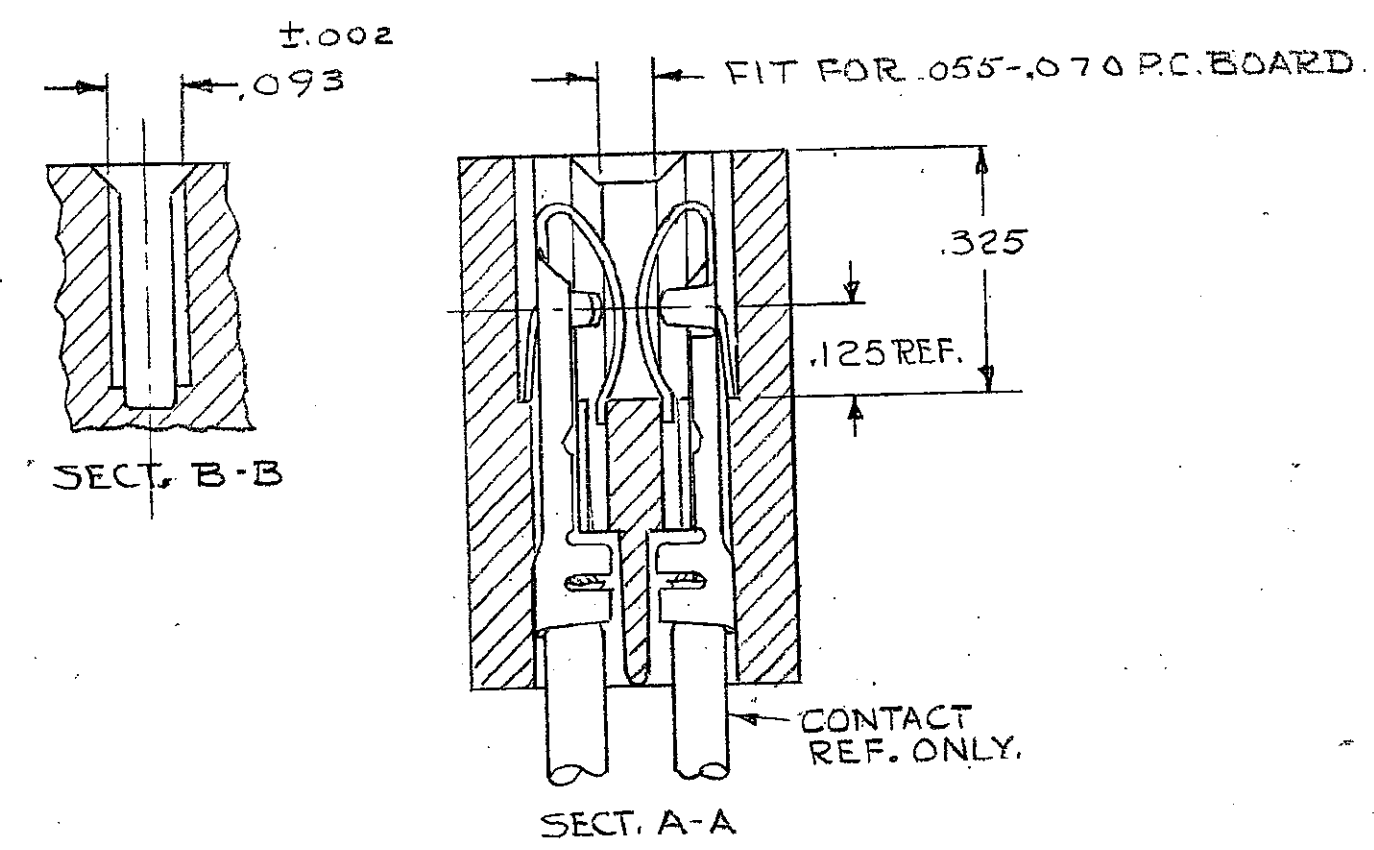


© 1970 BY AMP INCORPORATED. ALL RIGHTS RESERVED. AMP PRODUCTS COVERED BY PATENTS AND/OR PATENTS PENDING.

REVISIONS				
ZONE	LTR	DESCRIPTION	DATE	APPROVED
	E	REV PER 0010-0337-95	10-17-95	P.B./
✓	F	REV PER EC 0320-349-97	25 Nov 97	NS

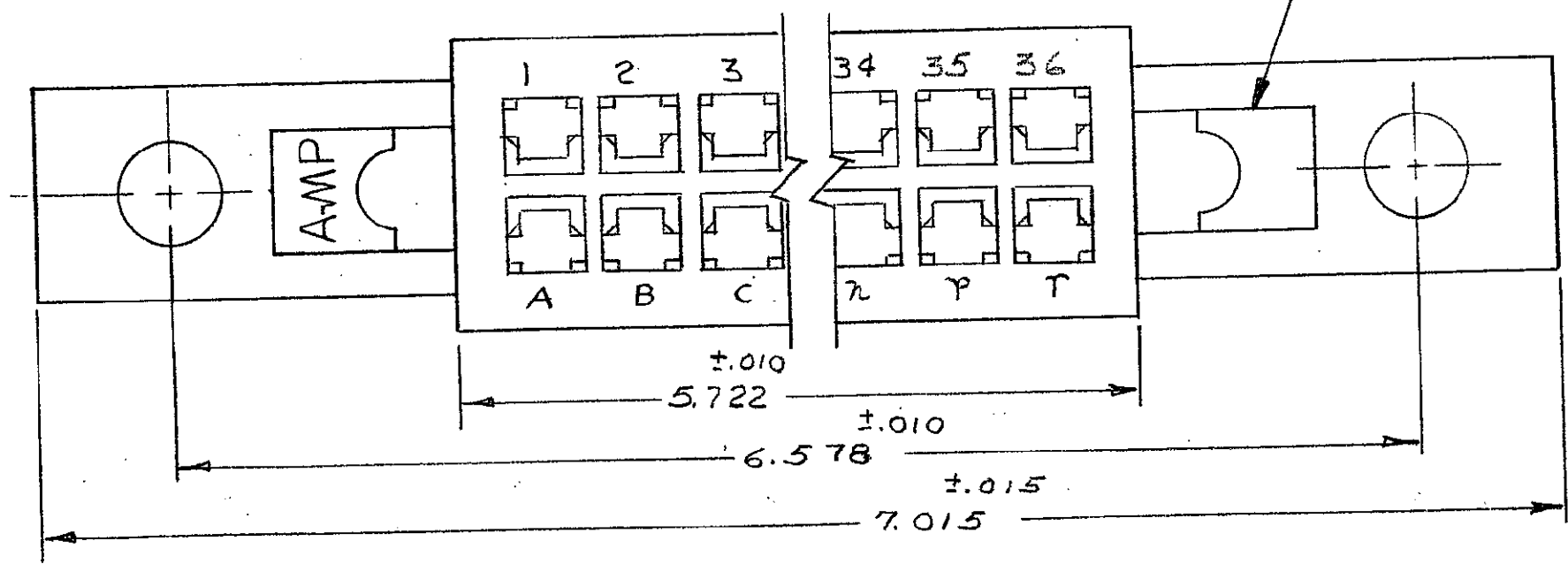


583552-1 AS SHOWN.  
 OBSOLETE 583552-3. SAME AS 1 EXCEPT  
 .250 DIA. .015 WHITE DOT, STAMPED LOWER  
 LEFT HAND CORNER, SAME SIDE AS  
 "AMP" PART NO & DATE CODE.



"AMP" PART NO & DATE CODE  
 HOT STAMPED IN THIS  
 AREA PER 115-9009.

CORING OPTIONAL



UNLESS OTHERWISE SPECIFIED, DIMENSIONS ARE IN INCHES TOLERANCES ON: DECIMALS ± .005 ANGLES ±	CONTRACT NO.	AMP INCORPORATED, HARRISBURG, PENNSYLVANIA		
	DR <i>Opunkle</i> 1-8-70 CHK <i>S.D. Heide</i> 1-13-70 APPD <i>J. Kaufman</i> 1-13-70 REL <i>R. Showman</i> 1/13/70			NAME HOUSING, AMP LEAF, 36 DUAL
MATERIAL GLASS FILLED NYLON OR POLYESTER COLOR: BLACK	DSGN APPD	SIZE C	CODE IDENT NO. 00779	NUMBER 583552
	OTHER APPD	SCALE 4-1	SHEET 1 OF 1	

CUSTOMER DRAWING

LOC  
F.7  
PRINT-DIST  
122

583552