

|    |      |       |            |              |            |
|----|------|-------|------------|--------------|------------|
| 6  | 33   | 31.05 | 29         | 52808-3029   | 30         |
|    | 32   | 30.05 | 28         | -2929        | 29         |
|    | 31   | 29.05 | 27         | -2829        | 28         |
|    | 30   | 28.05 | 26         | -2729        | 27         |
|    | 29   | 27.05 | 25         | -2629        | 26         |
|    | 28   | 26.05 | 24         | -2529        | 25         |
|    | 27   | 25.05 | 23         | -2429        | 24         |
|    | 26   | 24.05 | 22         | -2329        | 23         |
|    | 25   | 23.05 | 21         | -2229        | 22         |
|    | 24   | 22.05 | 20         | -2129        | 21         |
|    | 23   | 21.05 | 19         | -2029        | 20         |
|    | 22   | 20.05 | 18         | -1929        | 19         |
|    | 21   | 19.05 | 17         | -1829        | 18         |
|    | 20   | 18.05 | 16         | -1729        | 17         |
|    | 19   | 17.05 | 15         | -1629        | 16         |
|    | 18   | 16.05 | 14         | -1529        | 15         |
|    | 17   | 15.05 | 13         | -1429        | 14         |
|    | 16   | 14.05 | 12         | -1329        | 13         |
|    | 15   | 13.05 | 11         | -1229        | 12         |
|    | 14   | 12.05 | 10         | -1129        | 11         |
|    | 13   | 11.05 | 9          | -1029        | 10         |
|    | 12   | 10.05 | 8          | -0929        | 9          |
| 11 | 9.05 | 7     | -0829      | 8            |            |
| 10 | 8.05 | 6     | -0729      | 7            |            |
| 9  | 7.05 | 5     | -0629      | 6            |            |
| 8  | 6.05 | 4     | -0529      | 5            |            |
| 7  | 5.05 | 3     | 52808-0429 | 4            |            |
| 4  |      |       |            |              |            |
| G  | C    | B     | A          | MATERIAL NO. | 極数 CIRCUIT |

注記 NOTES:

1. 使用材料 MATERIAL  
 ハウジング: PPS, UL94V-0 HOUSING :PPS, UL94V-0  
 ターミナル: リン青銅 TERMINAL :PHOSPHOR BRONZE  
 メッキ: ニッケル下地 鍍ビスマスメッキ PLATING :TIN-BISMUTH OVER NICKEL PLATING  
 テープ: ポリイミド (t=50μm) TAPE :PI (t=50μm)

△基準面 E からのソルダーテールの半田付け面のスレ量は、上方に0.1MAX. 下方に0.15MAX. とする。  
 MISALIGNMENT OF SOLDER TAIL FROM E : UPPER DIRECTION 0.1MAX. , LOWER DIRECTION 0.15 MAX.

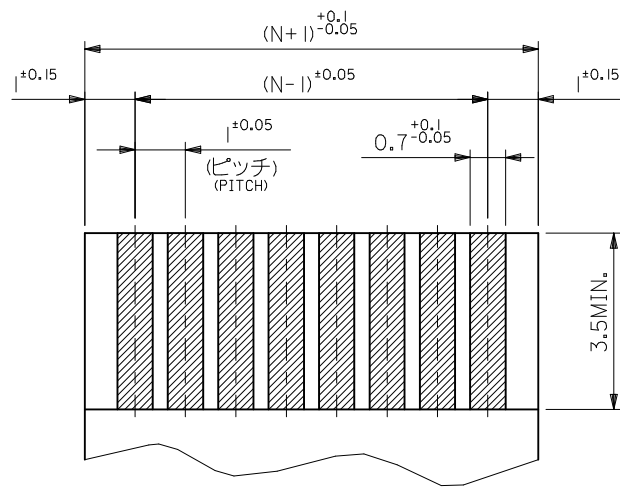
△偶数極に適用。  
 APPLY FOR EVEN CKT.

4. 本製品は 52808-\*\*20 の鉛フリー品である。  
 THIS PRODUCT IS LEAD FREE OF 52808-\*\*20.

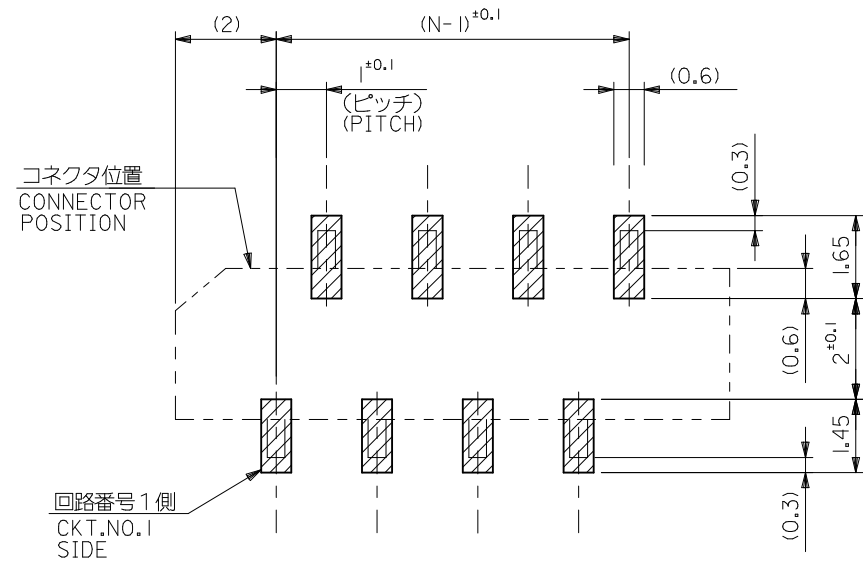
FPCについて:  
 打抜き方向は導体側から補強板を推奨致します。  
 補強フィルム材質はポリイミドを推奨致します。  
 接着剤は熱硬化接着剤を推奨致します。

ABOUT FPC:  
 RECOMMENDED PUNCHER DIRECTION : FROM CONDUCTOR SIDE TO STIFFENER BOARD SIDE.  
 RECOMMENDED MATERIAL :  
 STIFFENER FILM : POLYIMIDE  
 BONDING AGENT : THERMOSETTING BONDING AGENT

|  |                                       |                           |                           |   |  |              |                        |
|--|---------------------------------------|---------------------------|---------------------------|---|--|--------------|------------------------|
| REVISED<br>EC NO: J2015-0830<br>DRWN:NASANUMA 2014/12/19<br>CHKD:KAKAHASHI 2015/02/06<br>APPR:YNOGAWA 2015/02/23 | GENERAL TOLERANCES (UNLESS SPECIFIED) |                           | DIMENSION STYLE           |   | SCALE  | DESIGN UNITS | THIRD ANGLE PROJECTION |
|  | 0.25 UNDER UNDER ±0.03                |                           | MM ONLY                   |   | 10:1   | METRIC       | ◎                      |
|  | 0.25 OVER 0.5 UNDER ±0.05             |                           | DRAWN BY DATE TITLE       |   | 1.0 FFC CONN. NON ZIF SMT ST (WITH TAPE) -LEAD FREE- |              |                        |
|  | 0.5 OVER 1.0 UNDER ±0.1               |                           | MATERIAL NO. DOCUMENT NO. |   | SD-52808-025   |              |                        |
| 1.0 OVER 10 UNDER ±0.2   |                                       | DRAWN BY DATE TITLE       |                           | SEE CHART   |  |              |                        |
| 10 OVER 30 UNDER ±0.25   |                                       | CHECKED BY DATE           |                           | THIS DRAWING CONTAINS INFORMATION THAT IS PROPRIETARY TO MOLEX INCORPORATED AND SHOULD NOT BE USED WITHOUT WRITTEN PERMISSION |  |              |                        |
| 30 OVER ±0.3   |                                       | APPROVED BY DATE          |                           | SHEET NO. 1 OF 2  |  |              |                        |
| ANGULAR ±3 °   |                                       | MATERIAL NO. DOCUMENT NO. |                           |   |  |              |                        |
| DRAFT WHERE APPLICABLE MUST REMAIN WITHIN DIMENSIONS   |                                       | SIZE A3                   |                           |   |  |              |                        |



(仕上がり厚さ0.3<sup>+0.03</sup>)  
THICKNESS  
適合FPC/FFC推奨寸法  
APPLICABLE FPC/FFC  
RECOMMENDED DIMENSION.

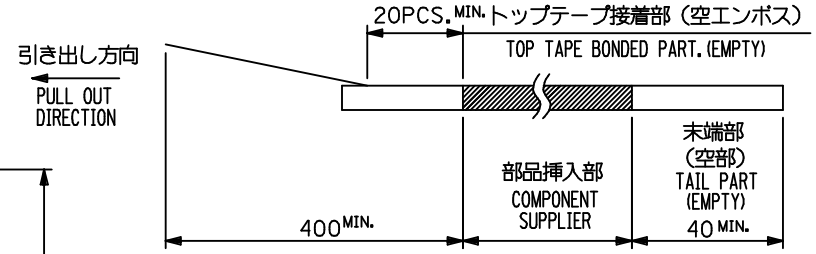


参考基板レイアウト (マウント面)  
RECOMMENDED P.C.BOARD  
PATTERN DIMENSION. (REF.)  
(MOUNTING AREA)

|   |                                       |           |              |                            |   |  |                        |                        |
|---|---------------------------------------|-----------|--------------|----------------------------|---|--|------------------------|------------------------|
| SEE SHEET 1 OF 2<br>EC NO.: J2015-0830<br>DRWN: SANUMA 2014/12/19<br>CHKD: TAKAHASHI 2015/02/06<br>APPR: YNOGAWA 2015/02/23 | GENERAL TOLERANCES (UNLESS SPECIFIED) |           |              | DIMENSION STYLE<br>MM ONLY |   | SCALE<br>10:1  | DESIGN UNITS<br>METRIC | THIRD ANGLE PROJECTION |
|   | 0.25 UNDER                            | UNDER     | ±0.03        | DRAWN BY                   | DATE  | TITLE  |                        |                        |
|   | 0.25 OVER                             | 0.5 UNDER | ±0.05        | MNINOMIYA                  | 2004/02/09  | 1.0 FFC CONN. NON ZIF<br>SMT ST (WITH TAPE)<br>-LEAD FREE- |                        |                        |
|   | 0.5 OVER                              | 1.0 UNDER | ±0.1         | CHECKED BY                 | DATE  | molex  |                        |                        |
|   | 1.0 OVER                              | 10 UNDER  | ±0.2         | KTOJO                      | 2004/02/09  |  |                        |                        |
|   | 10 OVER                               | 30 UNDER  | ±0.25        | APPROVED BY                | DATE  | DOCUMENT NO.   |                        |                        |
| 30 OVER   |                                       | ±0.3      | MSASAO       | 2004/02/09                 | SD-52808-025  |  |                        |                        |
| ANGULAR   | ±3 °                                  |           | MATERIAL NO. |                            | SHEET NO.   |  |                        |                        |
| DRAFT WHERE APPLICABLE MUST REMAIN WITHIN DIMENSIONS  |                                       |           | SIZE<br>A3   |                            | THIS DRAWING CONTAINS INFORMATION THAT IS PROPRIETARY TO MOLEX INCORPORATED AND SHOULD NOT BE USED WITHOUT WRITTEN PERMISSION |  |                        |                        |

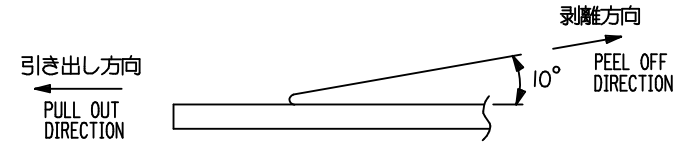
NOTES

- 製品詳細寸法については図面 SD-52808-025 を参照下さい。  
RE DETAILED DIMENSION, SEE SD-52808-025.
- 梱包数量：1000個/リール  
NUMBER OF CONNECTORS : 1000PCS/REEL
- リードテープ長さ LEAD TAPE LENGTH



- トップテープの剥離強度：0.1N ~ 1.3N(10gf ~ 130gf)  
(剥離方向は下図参照)

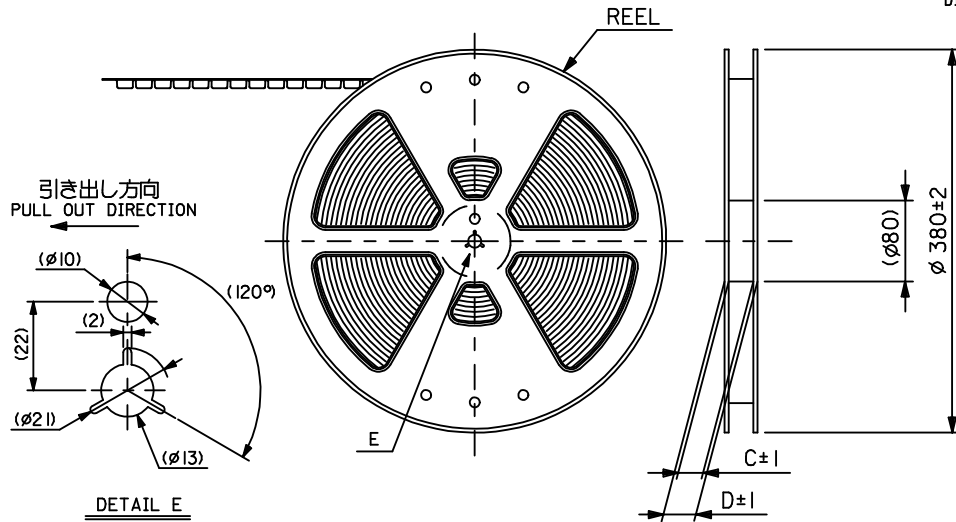
尚、本規格値は出荷時に適用。(但し、輸送時に剥離が発生しないこと。)  
PEELING OFF FORCE OF TOP TAPE : 0.1N ~ 1.3N(10gf ~ 130gf)  
(PEELING DIRECTION AS SHOWN IN FOLLOWING FIG.)  
THIS REQUIREMENT SHOULD BE APPLIED AT SHIPMENT.  
PEEL OFF SHOULD NOT BE ALLOWED , DURING TRANSPORTATION.



- 材料 (MATERIAL)  
キャリアテープ (CARRIER TAPE) : ポリプロピレン (POLYPROPYLENE)  
トップテープ (TOPTAPE) : PET , PE , PEF  
リール (REEL) : ポリスチレン (PS) <リサイクル材を含む>  
POLYSTYRENE (PS) <RECYCLE MATERIAL CONTAINED>

- MXI 製造製品は紙リールを使用すること。  
ONLY MXI PRODUCT ITEM SHOULD USE CARD BOARD REEL.

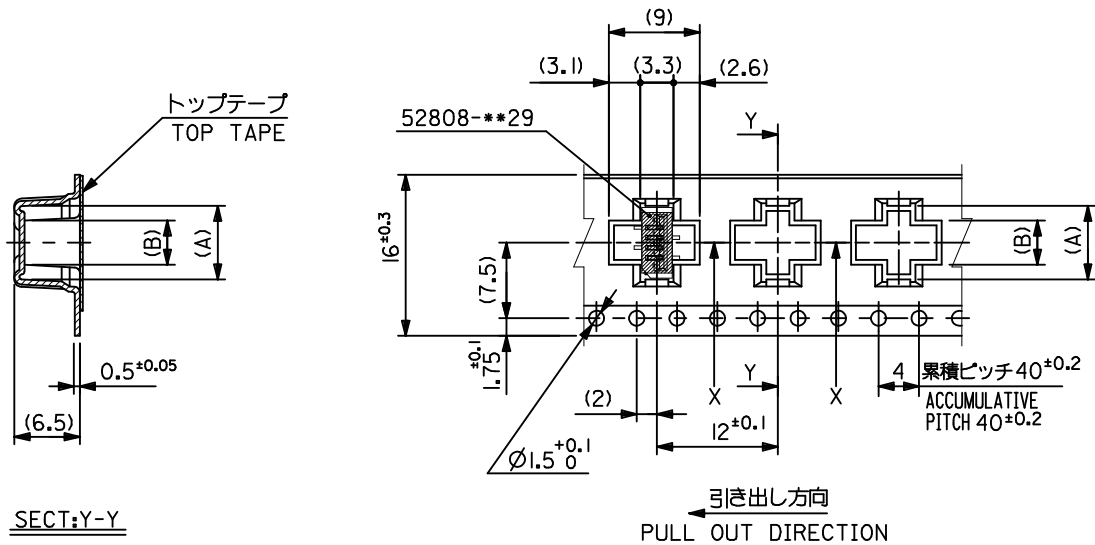
- 本製品は 52808-\*\*\*9I の鉛フリー品である。  
THIS PRODUCT IS LEAD FREE OF 52808-\*\*\*9I.



|                                       |                            |
|---------------------------------------|----------------------------|
| MODEL NO.                             | 52808-***71                |
| GENERAL TOLERANCES (UNLESS SPECIFIED) | DIMENSION STYLE<br>MM ONLY |
| SCALE<br>---                          | DESIGN UNITS<br>METRIC     |
|                                       | THIRD ANGLE PROJECTION     |

|   |                           |                      |   |
|---|---------------------------|----------------------|---|
| REVISED<br>EC NO: J2015-0830<br>DRWN: SANUMA 2014/12/18<br>CHKD: TAKAHASHI 2015/02/06<br>APPR: YNOGAWA 2015/02/23 | 0.25 UNDER UNDER ±0.03    | DRAWN BY DATE        | TITLE<br>1.0 FFC CONN NON ZIF SMT<br>ST WITH TAPE EMBSTP PKG<br>-LEAD FREE-<br><b>molex</b> |
|   | 0.25 OVER 0.5 UNDER ±0.05 | MNINOMIYA 2004/02/09 |   |
|   | 0.5 OVER 1.0 UNDER ±0.1   | CHECKED BY DATE      |   |
|   | 1.0 OVER 10 UNDER ±---    | KTOJO 2004/02/09     |   |
|   | 10 OVER 30 UNDER ±---     | APPROVED BY DATE     |   |
|   | 30 OVER ±---              |                      |   |
| ANGULAR ±--- °  | MATERIAL NO.              | DOCUMENT NO.         | SHEET NO.   |
|   | SEE CHART                 | SD-52808-026         | 1 OF 6  |

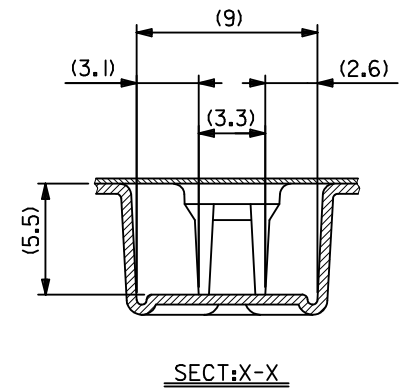
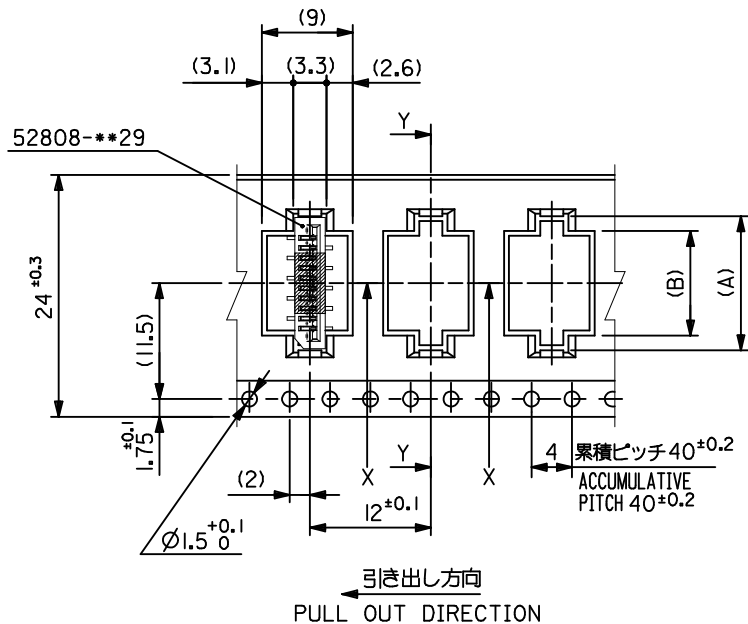
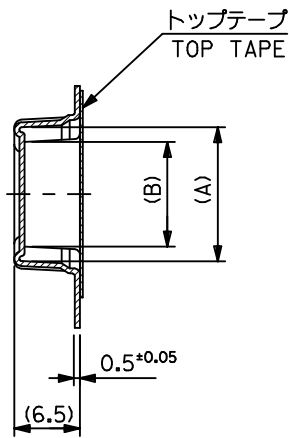
DRAFT WHERE APPLICABLE MUST REMAIN WITHIN DIMENSIONS SIZE A3 THIS DRAWING CONTAINS INFORMATION THAT IS PROPRIETARY TO MOLEX INCORPORATED AND SHOULD NOT BE USED WITHOUT WRITTEN PERMISSION



16mm幅キャリアテープ  
16mm WIDTH CARRIER TAPE

|                                |      |      |     |     |              |            |
|--------------------------------|------|------|-----|-----|--------------|------------|
| 16                             | 21.4 | 17.4 | 5.4 | 8.3 | 52808-0571   | 5          |
|                                |      |      | 4.4 | 7.3 | 52808-0471   | 4          |
| キャリアテープ幅<br>CARRIER TAPE WIDTH | D    | C    | (B) | (A) | MATERIAL NO. | 種数<br>CKT. |
| MODEL NO.                      |      |      |     |     | 52808-**-71  |            |

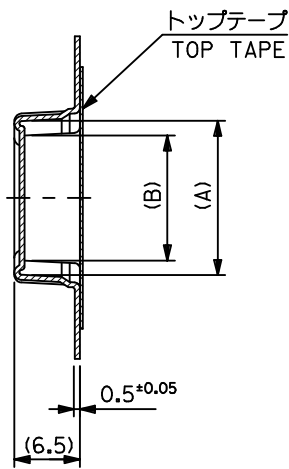
|   |                                       |           |              |   |              |  |                        |                        |
|---|---------------------------------------|-----------|--------------|---|--------------|--|------------------------|------------------------|
| SEE SHEET 1 OF 6<br>EC NO.: J2015-0830<br>DRWN: SANUMA 2014/12/18<br>CHKD: TAKAHASHI 2015/02/06<br>APPR: YNOGAWA 2015/02/23 | GENERAL TOLERANCES (UNLESS SPECIFIED) |           |              | DIMENSION STYLE<br>MM ONLY  |              | SCALE<br>---   | DESIGN UNITS<br>METRIC | THIRD ANGLE PROJECTION |
|   | 0.25 UNDER                            | UNDER     | ±0.03        | DRAWN BY  | DATE         | TITLE  |                        |                        |
|   | 0.25 OVER                             | 0.5 UNDER | ±0.05        | MNINOMIYA   | 2004/02/09   | 1.0 FFC CONN NON ZIF SMT<br>ST WITH TAPE EMBSTP PKG<br>-LEAD FREE- |                        |                        |
|   | 0.5 OVER                              | 1.0 UNDER | ±0.1         | CHECKED BY  | DATE         |  |                        |                        |
|   | 1.0 OVER                              | 10 UNDER  | ±---         | KTOJO   | 2004/02/09   | <b>molex</b><br>SD-52808-026<br>SHEET NO. 2 OF 6                   |                        |                        |
| 10 OVER   | 30 UNDER                              | ±---      | APPROVED BY  | DATE  |              |  |                        |                        |
| 30 OVER   |                                       | ±---      | MATERIAL NO. |   | DOCUMENT NO. |  |                        |                        |
| ANGULAR   | ±---                                  | °         | SEE CHART    |   |              |  |                        |                        |
| DRAFT WHERE APPLICABLE MUST REMAIN WITHIN DIMENSIONS  |                                       |           | SIZE<br>A3   | THIS DRAWING CONTAINS INFORMATION THAT IS PROPRIETARY TO MOLEX INCORPORATED AND SHOULD NOT BE USED WITHOUT WRITTEN PERMISSION |              |  |                        |                        |



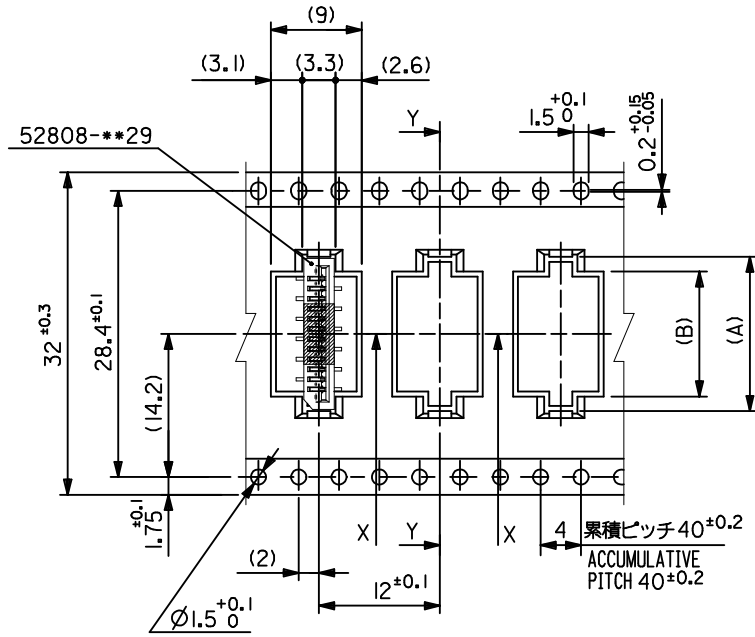
24mm幅キャリアテープ  
24mm WIDTH CARRIER TAPE

|                                |      |      |             |      |              |            |
|--------------------------------|------|------|-------------|------|--------------|------------|
| 24                             | 29.4 | 25.4 | 10.4        | 13.3 | 52808-1071   | 10         |
|                                |      |      | 9.4         | 12.3 | 52808-0971   | 9          |
|                                |      |      | 8.4         | 11.3 | 52808-0871   | 8          |
|                                |      |      | 7.4         | 10.3 | 52808-0771   | 7          |
|                                |      |      | 6.4         | 9.3  | 52808-0671   | 6          |
| キャリアテープ幅<br>CARRIER TAPE WIDTH | D    | C    | (B)         | (A)  | MATERIAL NO. | 種数<br>CKT. |
| MODEL NO.                      |      |      | 52808-**-71 |      |              |            |

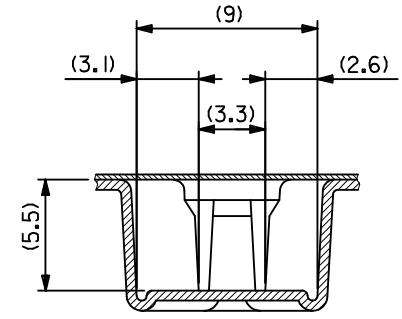
|   |                                       |           |  |                            |              |  |                        |                        |  |
|---|---------------------------------------|-----------|--|----------------------------|--------------|--|------------------------|------------------------|--|
| SEE SHEET 1 OF 6<br>EC NO: J2015-0830<br>DRWN:NASANUMA 2014/12/18<br>CHKD:KATAHASHI 2015/02/06<br>APPR:YNOGAWA 2015/02/23 | GENERAL TOLERANCES (UNLESS SPECIFIED) |           |  | DIMENSION STYLE<br>MM ONLY |              | SCALE<br>---   | DESIGN UNITS<br>METRIC | THIRD ANGLE PROJECTION |  |
|   | 0.25 UNDER                            | UNDER     | ± 0.03   | DRAWN BY                   | DATE         | TITLE  |                        |                        |  |
|   | 0.25 OVER                             | 0.5 UNDER | ± 0.05   | MNINOMIYA                  | 2004/02/09   | 1.0 FFC CONN NON ZIF SMT<br>ST WITH TAPE EMBSTP PKG<br>-LEAD FREE- |                        |                        |  |
|   | 0.5 OVER                              | 1.0 UNDER | ± 0.1  | CHECKED BY                 | DATE         | <b>molex</b>   |                        |                        |  |
|   | 1.0 OVER                              | 10 UNDER  | ± ---  | KTOJO                      | 2004/02/09   |  |                        |                        |  |
| 10 OVER   | 30 UNDER                              | ± ---     | APPROVED BY  | DATE                       | MATERIAL NO. | DOCUMENT NO.   | SHEET NO.              |                        |  |
| 30 OVER   |                                       | ± ---     | SEE CHART  |                            | SD-52808-026 |  | 3 OF 6                 |                        |  |
| ANGULAR   | ± --- °                               |           | THIS DRAWING CONTAINS INFORMATION THAT IS PROPRIETARY TO MOLEX<br>INCORPORATED AND SHOULD NOT BE USED WITHOUT WRITTEN PERMISSION |                            |              |  |                        |                        |  |
| DRAFT WHERE APPLICABLE MUST REMAIN WITHIN DIMENSIONS  |                                       |           |  |                            |              |  |                        |                        |  |



セクト:Y-Y



引き出し方向  
PULL OUT DIRECTION

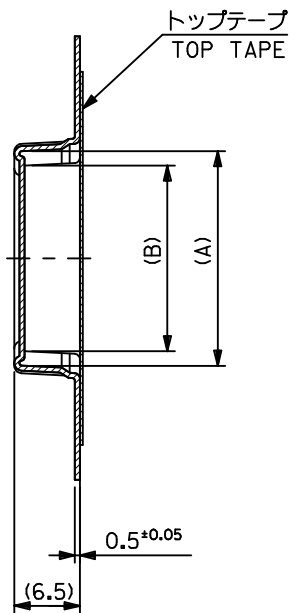


セクト:X-X

32mm幅キャリアテープ  
32mm WIDTH CARRIER TAPE

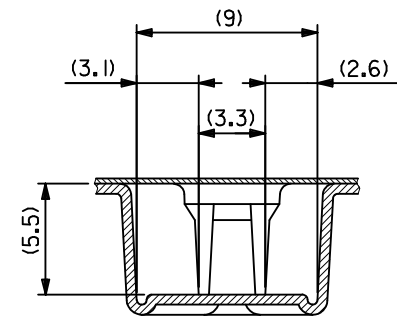
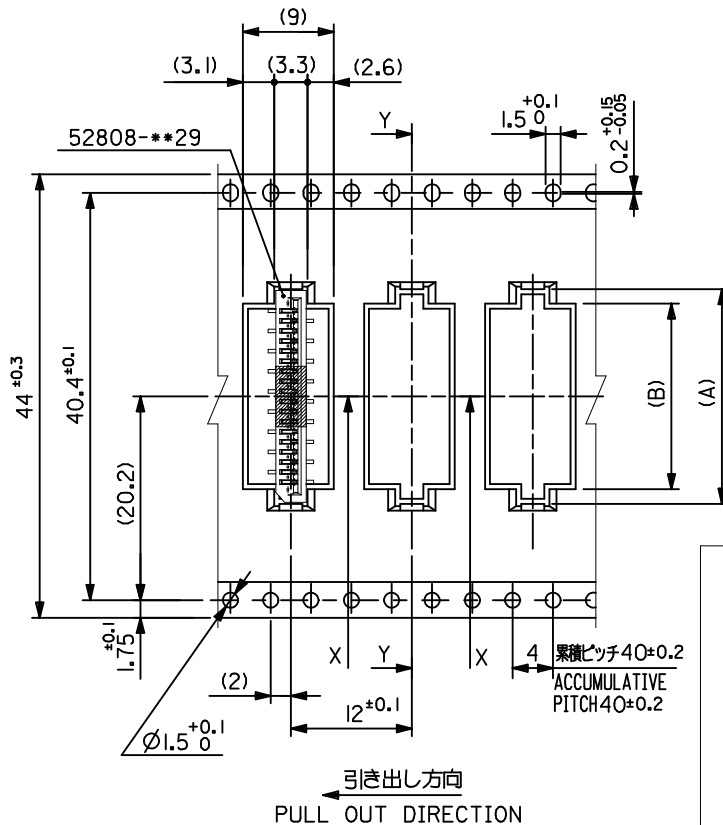
|                                |      |      |             |      |              |            |
|--------------------------------|------|------|-------------|------|--------------|------------|
| 32                             | 37.4 | 33.4 | 15.4        | 18.3 | 52808-1571   | 15         |
|                                |      |      | 14.4        | 17.3 | 52808-1471   | 14         |
|                                |      |      | 13.4        | 16.3 | 52808-1371   | 13         |
|                                |      |      | 12.4        | 15.3 | 52808-1271   | 12         |
|                                |      |      | 11.4        | 14.3 | 52808-1171   | 11         |
| キャリアテープ幅<br>CARRIER TAPE WIDTH | D    | C    | (B)         | (A)  | MATERIAL NO. | 種数<br>CKT. |
| MODEL NO.                      |      |      | 52808-**-71 |      |              |            |

|   |                                       |           |  |                            |            |  |                        |                        |  |
|---|---------------------------------------|-----------|--|----------------------------|------------|--|------------------------|------------------------|--|
| SEE SHEET 1 OF 6<br>EC NO.: J2015-0830<br>DRWN: SANUMA 2014/12/18<br>CHKD: TAKAHASHI 2015/02/06<br>APPR: YNOGAWA 2015/02/23 | GENERAL TOLERANCES (UNLESS SPECIFIED) |           |  | DIMENSION STYLE<br>MM ONLY |            | SCALE<br>---   | DESIGN UNITS<br>METRIC | THIRD ANGLE PROJECTION |  |
|   | 0.25 UNDER                            | UNDER     | ±0.03  | DRAWN BY                   | DATE       | TITLE  |                        |                        |  |
|   | 0.25 OVER                             | 0.5 UNDER | ±0.05  | MNINOMIYA                  | 2004/02/09 | 1.0 FFC CONN NON ZIF SMT<br>ST WITH TAPE EMBSTP PKG<br>-LEAD FREE- |                        |                        |  |
|   | 0.5 OVER                              | 1.0 UNDER | ±0.1   | CHECKED BY                 | DATE       | <b>molex</b>   |                        |                        |  |
|   | 1.0 OVER                              | 10 UNDER  | ±---   | KTOJO                      | 2004/02/09 |  |                        |                        |  |
|   | 10 OVER                               | 30 UNDER  | ±---   | APPROVED BY                | DATE       | MATERIAL NO.   | DOCUMENT NO.           | SHEET NO.              |  |
| 30 OVER   |                                       | ±---      |  |                            | SEE CHART  | SD-52808-026   | 4 OF 6                 |                        |  |
| ANGULAR   | ±---                                  | °         | THIS DRAWING CONTAINS INFORMATION THAT IS PROPRIETARY TO MOLEX<br>INCORPORATED AND SHOULD NOT BE USED WITHOUT WRITTEN PERMISSION |                            |            |  |                        |                        |  |
| DRAFT WHERE APPLICABLE MUST REMAIN WITHIN DIMENSIONS  |                                       |           |  |                            |            |  |                        |                        |  |



SECT:Y-Y

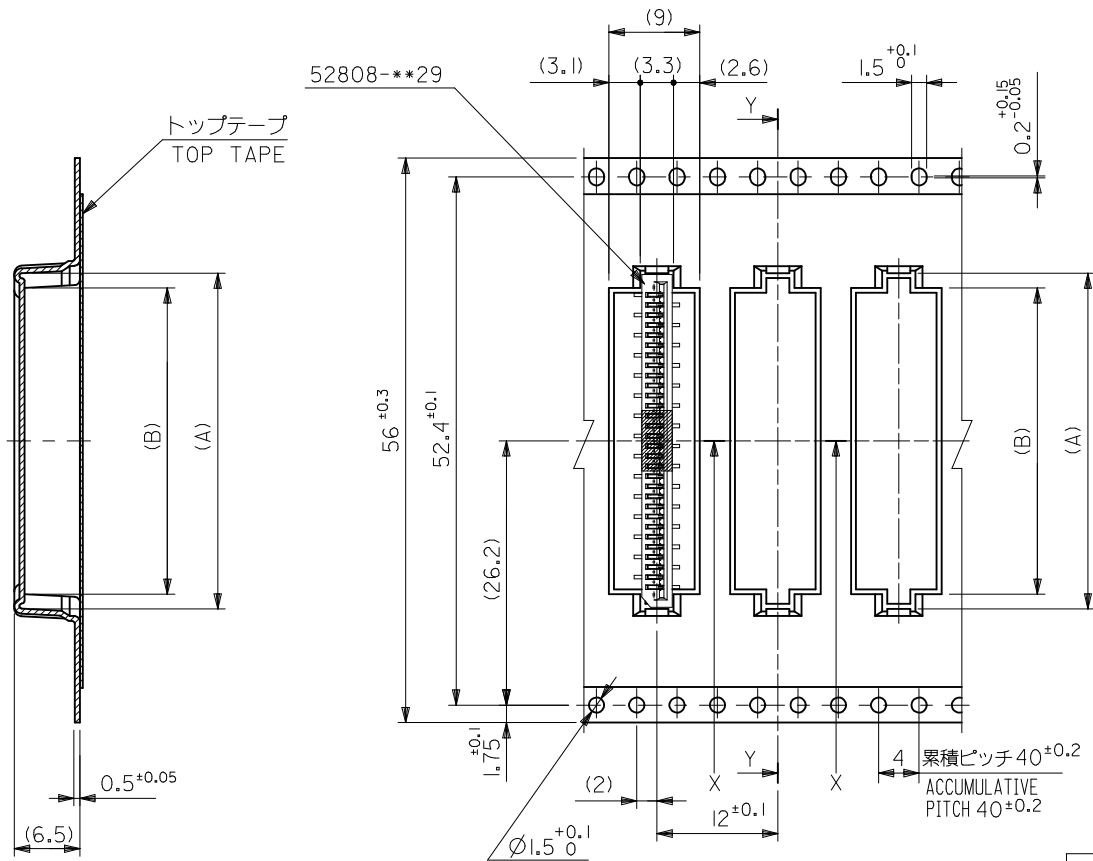
44mm幅キャリアテープ  
44mm WIDTH CARRIER TAPE



SECT:X-X

|                                |      |            |             |      |            |              |            |
|--------------------------------|------|------------|-------------|------|------------|--------------|------------|
| 44                             | 49.4 | 45.4       | 28.4        | 31.3 | 52808-2871 | 28           |            |
|                                |      |            | 27.4        | 30.3 | 52808-2771 | 27           |            |
|                                |      |            | 26.4        | 29.3 | 52808-2671 | 26           |            |
|                                |      |            | 25.4        | 28.3 | 52808-2571 | 25           |            |
|                                |      |            | 24.4        | 27.3 | 52808-2471 | 24           |            |
|                                |      |            | 23.4        | 26.3 | 52808-2371 | 23           |            |
|                                |      |            | 22.4        | 25.3 | 52808-2271 | 22           |            |
|                                |      |            | 21.4        | 24.3 | 52808-2171 | 21           |            |
|                                |      |            | 20.4        | 23.3 | 52808-2071 | 20           |            |
|                                |      |            | 19.4        | 22.3 | 52808-1971 | 19           |            |
|                                |      |            | 18.4        | 21.3 | 52808-1871 | 18           |            |
|                                |      |            | 17.4        | 20.3 | 52808-1771 | 17           |            |
| 16.4                           | 19.3 | 52808-1671 | 16          |      |            |              |            |
| キャリアテープ幅<br>CARRIER TAPE WIDTH |      |            | D           | C    | (B) (A)    | MATERIAL NO. | 種数<br>CKT. |
| MODEL NO.                      |      |            | 52808-***71 |      |            |              |            |

|  |                                       |           |  |   |              |  |                        |                        |  |
|--|---------------------------------------|-----------|--|---|--------------|--|------------------------|------------------------|--|
| SEE SHEET 1 OF 6<br>EC NO.: J2015-0830<br>DRWN:NASUNUMA 2014/12/18<br>CHKD:KAKAHASHI 2015/02/06<br>APPR:YNOGAWA 2015/02/23 | GENERAL TOLERANCES (UNLESS SPECIFIED) |           |  | DIMENSION STYLE<br>MM ONLY  |              | SCALE<br>---   | DESIGN UNITS<br>METRIC | THIRD ANGLE PROJECTION |  |
|  | 0.25 UNDER                            | UNDER     | ±0.03  | DRAWN BY  | DATE         | TITLE  |                        |                        |  |
|  | 0.25 OVER                             | 0.5 UNDER | ±0.05  | MNINOMIYA   | 2004/02/09   | 1.0 FFC CONN NON ZIF SMT<br>ST WITH TAPE EMBSTP PKG<br>-LEAD FREE- |                        |                        |  |
|  | 0.5 OVER                              | 1.0 UNDER | ±0.1   | CHECKED BY  | DATE         | molex  |                        |                        |  |
|  | 1.0 OVER                              | 10 UNDER  | ±---   | KTOJO   | 2004/02/09   |  |                        |                        |  |
| 10 OVER  | 30 UNDER                              | ±---      | APPROVED BY  | DATE  | MATERIAL NO. | DOCUMENT NO.   | SHEET NO.              |                        |  |
| 30 OVER  |                                       | ±---      |  |   | SEE CHART    | SD-52808-026   | 5 OF 6                 |                        |  |
| ANGULAR  | ±---                                  | °         | DRAFT WHERE APPLICABLE MUST REMAIN WITHIN DIMENSIONS |   |              |  |                        |                        |  |
|  |                                       |           | SIZE<br>A3   | THIS DRAWING CONTAINS INFORMATION THAT IS PROPRIETARY TO MOLEX INCORPORATED AND SHOULD NOT BE USED WITHOUT WRITTEN PERMISSION |              |  |                        |                        |  |



SECT:Y-Y

引き出し方向  
PULL OUT DIRECTION

56mm幅キャリアテープ  
56mm WIDTH CARRIER TAPE

|                                |      |      |              |                        |                           |    |
|--------------------------------|------|------|--------------|------------------------|---------------------------|----|
| 56                             | 61.4 | 57.4 | 30.4         | 33.3                   | 52808-3071                | 30 |
| キャリアテープ幅<br>CARRIER TAPE WIDTH |      |      | D            | C                      | 52808-2971                | 29 |
| MODEL NO.                      |      |      |              |                        | 52808-**71                |    |
| DIMENSION STYLE<br>MM ONLY     |      |      | SCALE<br>--- | DESIGN UNITS<br>METRIC | THIRD ANGLE<br>PROJECTION |    |

|   |  |           |              |  |            |
|---|--|-----------|--------------|--|------------|
| SEE SHEET 1 OF 6<br>EC NO: J2015-0830<br>DRWN:NASUNUMA 2014/12/18<br>CHKD:KAKAHASHI 2015/02/06<br>APPR:YNOGAWA 2015/02/23 | GENERAL TOLERANCES<br>(UNLESS SPECIFIED) |           |              | DIMENSION STYLE<br>MM ONLY   |            |
|   | 0.25 UNDER                               | UNDER     | ±0.03        | DRAWN BY   | DATE       |
|   | 0.25 OVER                                | 0.5 UNDER | ±0.05        | MNINOMIYA  | 2004/02/09 |
|   | 0.5 OVER                                 | 1.0 UNDER | ±0.1         | CHECKED BY   | DATE       |
|   | 1.0 OVER                                 | 10 UNDER  | ±---         | KTOJO  | 2004/02/09 |
|   | 10 OVER                                  | 30 UNDER  | ±---         | APPROVED BY  | DATE       |
|   | 30 OVER                                  | ±---      | MATERIAL NO. | DOCUMENT NO.   |            |
|   | ANGULAR                                  | ±--- °    | SEE CHART    |  |            |
| DRAFT WHERE APPLICABLE<br>MUST REMAIN<br>WITHIN DIMENSIONS  |  |           | SIZE<br>A3   | THIS DRAWING CONTAINS INFORMATION THAT IS PROPRIETARY TO MOLEX<br>INCORPORATED AND SHOULD NOT BE USED WITHOUT WRITTEN PERMISSION |            |

|              |  |  |  |
|--------------|--|--|--|
| TITLE        |  | 1.0 FFC CONN NON ZIF SMT<br>ST WITH TAPE EMBSTP PKG<br>-LEAD FREE- |  |
| <b>molex</b> |  | SD-52808-026   |  |
| SHEET NO.    |  | 6 OF 6   |  |